

Selected Assembly: root

Model Number: YCD480A4HD2B7ND1ACEFGH

Selected Assembly: 348655df-437c-4323-be11-be9bcc45b21b
VOY3UP1 PARTS LIST
Parts List Number: VOY30001#VOY3UP1
Model Number: YCD480A4HD2B7ND1ACEFGH

VOY3UP1 PARTS LIST

Parts List Number: VOY30001#VOY3UP1

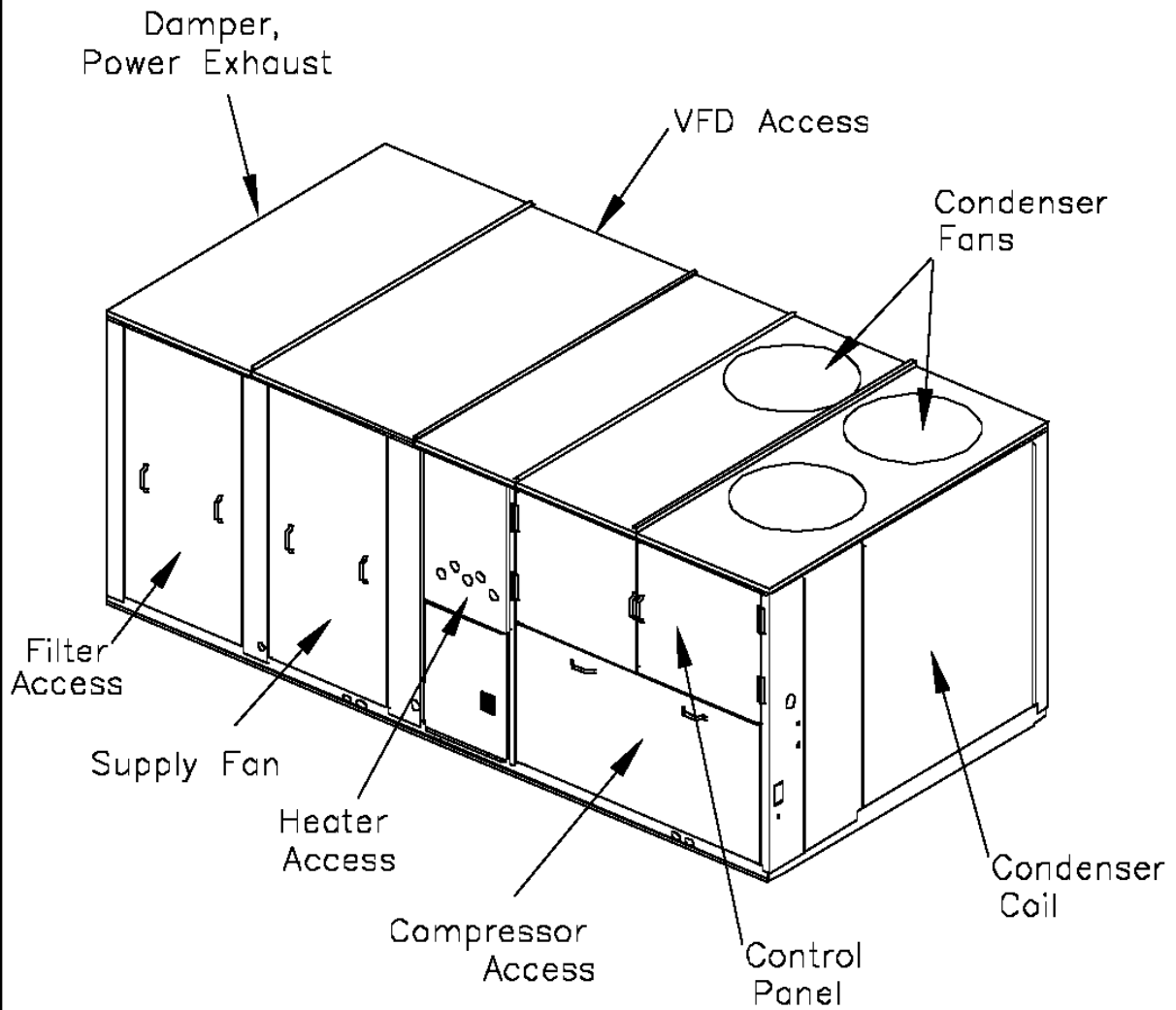
Model Number: YCD480A4HD2B7ND1ACEFGH

Part No.	Reference	Quantity	Description
----------	-----------	----------	-------------

PACKAGED ROOFTOP AIR CONDITIONER
VOYAGER TC, TE, YC
GENERAL ILLUSTRATION

75008996

REV
A



GENERAL ILLUSTRATION OF UNIT

Parts List Number: VOY30001#VOY3UP1

Model Number: YCD480A4HD2B7ND1ACEFGH

Part No.	Reference	Quantity	Description
----------	-----------	----------	-------------

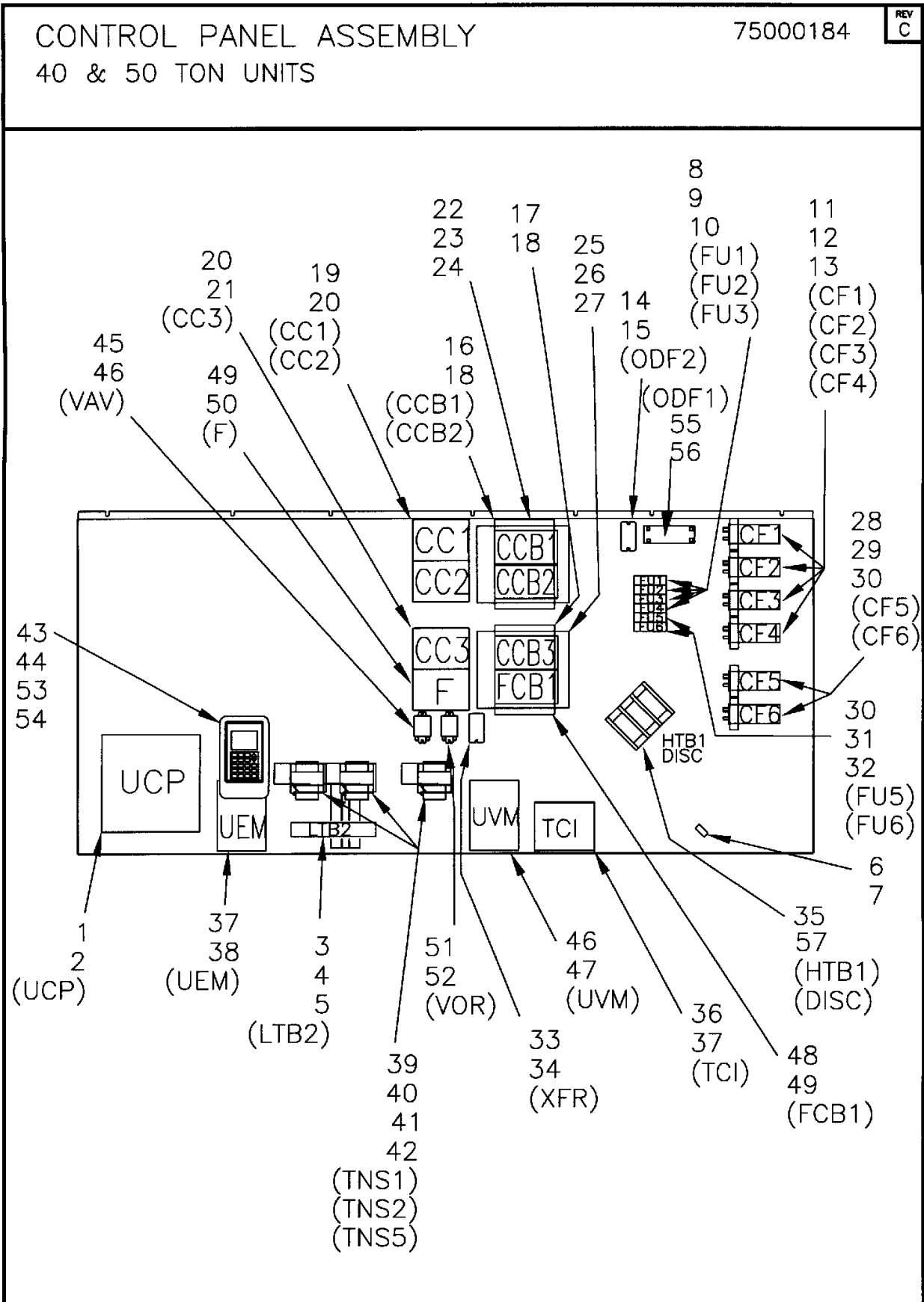
MODEL NUMBER DESCRIPTION		75000166	REV A
VOYAGER III			
Sample Model Number:	YC D 480 A 4 H A 1 A 4 F D 1 A		
Digit Number:	12 3 456 7 8 9 10 11 12 13 14 15 16 17		
1,2- Unit Function	11 - Exhaust 0 = None 1 = Barometric Relief (Available w/Economizer only) 2 = Power Exhaust Fan (Available w/Economizer only)	16 - System Control 1 = Constant Volume 2 = VAV Supply Air Temperature Control w/a Inlet Guide Vanes 3 = VAV Supply Air Temperature Control w/ Inlet Guide Vanes 4=VAV Supply Air Temperature Control w/Variable Frequency Drive and without Bypass 5=VAV Supply Air Temperature Control W/VFD and Bypass	
TC = DX Cooling, No Heat TE = DX Cooling, Electric Heat YC = DX Cooling, Natural Gas Heat	12 - Filter A = Standard 2" Throwaway Filters B = High Efficiency 2" Throwaway Filters? C = High Efficiency 4" Throwaway Filters	Note: Sensors are not included with these options. They must be ordered as a separate accessory.	
3 - Unit Airflow Design D = Downflow Configuration H = Horizontal Configuration	13 - Supply Fan Motor HP 1 = 7.5 HP STD. Efficiency 2 = 10 HP STD. Efficiency 3 = 15 HP STD. Efficiency 4 = 20 HP STD. Efficiency 5 = 7.5 HP High Efficiency 6 = 10 HP High Efficiency 7 = 15 HP High Efficiency 8 = 20 HP High Efficiency	17 through 21 - Miscellaneous A = Service Valves (See Note 4) B = Through the Base Electrical Provision C = Non-Fused Disconnect Switch with External Handle D = Factory-Powered 15Amp GFI Convenient Outlet and a Non-Fused Disconnect Switch with External Handle E = Field-Powered 1 5A GFI Convenience Outlet F = ICS Control Option - Trane Communication Interface, Supply Air Sensing, And Clogged Filter Switch G = Ventilation Override H = Hinged Service Access J = Condenser Coil Guards	
4,5,6 - Nominal Cooling Capacity 60HZ 50HZ 330 = 27.5 Tons 275 = 22.9 Tons 360 = 30 Tons 305 = 25.0 Tons 420 = 35 Tons 350 = 29.2 Tons 480 = 40 Tons 400 = 33.3 Tons 600 = 50 Tons 500 = 41.7 Tons	14 - Supply Fan Drive Selection (See Note 3) A = 550 RPM H = 500 RPM B = 600 RPM J = 525 RPM C = 650 RPM K = 575 RPM D = 700 RPM L = 625 RPM E = 750 RPM M = 675 RPM F = 790 RPM N = 725 RPM G = 800 RPM		
7 - Major Development Sequence A = First	15 - Fresh Air Options A = No Fresh Air B = 0 - 25% Manual Damper C = 0 - 100% Economizer with Dry Bulb Control D = 0 - 100% Economizer with Reference Enthalpy Control E = 0 - 100% Economizer with Differential Enthalpy Control F = "C" Option with Low Leak Fresh Air Damper G = "D" Option with Low Leak Fresh Air Damper H = "E" Option with Low Leak Fresh Air Damper	Notes: 1. All voltages are "Across the Line" start. 2. Electric Heat KW ratings are based upon voltage ratings of 240/480/600 volts. 3. Supply fan drives A through G are used with 27.5 - 35 Ton units only and drives H through N are used with 40 and 50 Ton units. 4. Option includes: Discharge, Liquid, and Suction Valves.	
8 - Power Supply (See Note 1) C = 380/50/3 F = 230/60/3 D = 415/50/3 4 = 460/60/3 E = 208/60/3 5 = 575/50/3			
9 - Heating Capacity (See Note 2) O = No Heat L = Low Heat H = High Heat			
Note: When the second digit is "E" (Electric Heat), the following values apply to the ninth digit. A = 36 KW B = 54 KW C = 72 KW D = 90 KW E = 108 KW			
10 - Design Sequence A = First			

MODEL NUMBER DESCRIPTION

Parts List Number: VOY30001#VOY3UP1

Model Number: YCD480A4HD2B7ND1ACEFGH

Part No.	Reference	Quantity	Description
----------	-----------	----------	-------------



CONTROL PANEL ASSEMBLY 33.3 THRU 50 TON

Parts List Number: VOY30001#VOY3UP1

Model Number: YCD480A4HD2B7ND1ACEFGH

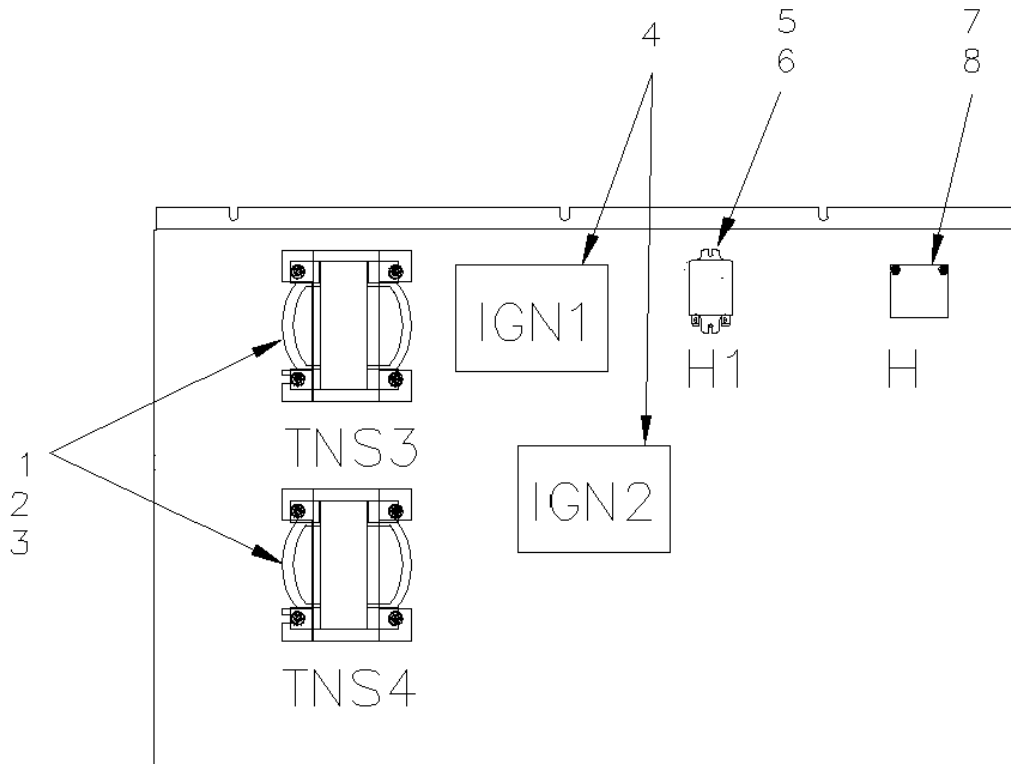
Part No.	Reference	Quantity	Description
BKR00830	17	1	BREAKER; CIRCUIT, 25.3A 480V 3P CKT
BKR00835	16	2	BREAKER; CIRCUIT, 36.8A 480V 3P CKT
BKR01119	48	1	BREAKER; CKT, 24.6A, 480V, 3P, 60HZ, HI-EFFICIENCY
BLK00509	9	2	BLOCK; FUSE
BLK00509	32	2	BLOCK; FUSE
BRD00917	36	1	BOARD; TRANE COMMUNICATIONS INTERFACE (TCI-3)
BRK00549	12	4	BRACKET;CAPACITOR
BRK00549	29	2	BRACKET;CAPACITOR
BRK02126	22	2	BRACKET; CIRCUIT BREAKER
BRK02316	35	1	BRACKET; DISCONNECT SWITCH
CLP00190	24	0	CLIP; FLEXIBLE TRIM 10 FT LONG
CLP00190	27	0	CLIP; FLEXIBLE TRIM 10 FT LONG
CNT01659	4	2	JUMPER; BLOCK, RJS TYPE
CON00077	6	1	CONNECTOR, ELECTRIC GROUND, 14-2 AWG SOLDERLESS
CON00456	38	1	CONNECTOR; RCPT - 2 PIN
CON00457	1	1	CONNECTOR; RCPT - 3 PIN
CON00460	38	1	CONNECTOR; RCPT - 14 PIN
CON00606	1	1	CONNECTOR; 24 PIN
COV02247	25	2	COVER; DOUBLE CIRCUIT BREAKER
CPT00553	11	4	CAPACITOR, 25 MFD, 440 VOLT, ROUND
CPT00553	28	2	CAPACITOR, 25 MFD, 440 VOLT, ROUND
CTR01127	21	1	CONTACTOR; 3 POLE, 24V W/O AUX SWITCH
CTR01127	50	1	CONTACTOR; 3 POLE, 24V W/O AUX SWITCH
CTR01450	19	2	CONTACTOR, 3P NO 40FLA @ 600V, 24 VOLT COIL, 50 RES AMP
FUS00938	8	2	MIN=10/10 FUSE; 15A, 600V
FUS00938	31	2	MIN=10/10 FUSE; 15A, 600V
INS00799	42	0	INSULATION; .03 THK, FISCH PAPER
MOD00145	38	1	MODULE, UEM
MOD00405	1	1	MODULE; UNITARY CONTROL PROCESSOR
RLY01040	55	1	RELAY; SPDT, 120/208/240/277/480/600V, QUICK CONNECT TERM., 24V COIL
RLY01778	14	1	RELAY; CONTROL, DPST, NORMALLY OPEN, 24V/DC COIL VOLTAGE, 1.7W NOMINAL COIL POWER
RLY01778	33	1	RELAY; CONTROL, DPST, NORMALLY OPEN, 24V/DC COIL VOLTAGE, 1.7W NOMINAL COIL POWER
RLY01780	51	1	RELAY; CONT, DPDT, 24 VAC COIL, 75 OHMS, 5 A AT 120/240V CONTACTS SILVER GOLD DIFUSE
SCR00889	7	0	SCREW, 10-32 X .50
SCR00889	18	0	SCREW, 10-32 X .50
SCR00889	20	0	SCREW, 10-32 X .50
SCR00889	49	0	SCREW, 10-32 X .50
SCR00889	54	0	SCREW, 10-32 X .50
SCR00906	10	0	SCREW; 8-32 X .50
SCR00906	13	0	SCREW; 8-32 X .50

SCR00906	30	0	SCREW; 8-32 X .50
SCR00906	34	0	SCREW; 8-32 X .50
SCR00906	40	0	SCREW; 8-32 X .50
SCR00906	56	0	SCREW; 8-32 X .50
SCR00907	23	0	SCREW; .25-20 X .50
SCR00909	2	0	SCREW, 6-32 X .75
SCR00909	15	0	SCREW, 6-32 X .75
SCR00909	37	0	SCREW, 6-32 X .75
SCR00928	26	0	SCREW, 6-32 X .38
SCR00928	52	2	SCREW, 6-32 X .38
SCR01072	5	0	SCREW;8-32 X 1.00
SWT01591	35	1	SWITCH;DISCONNECT, 250A/600V, 3P
TER00154	3	1	TERMINAL; BLOCK, 12 POLE 30 AMP, 600V DBL .25 QC BOTH SIDES
TER00611	1	0	TERMINAL; PIN
TER00611	38	1	TERMINAL; PIN
TRR00826	39	2	TRANSFORMER; 75 VA, 460-575V PRI, 24V SEC
WAS00611	41	0	WASHER;LOCK, .19 ID X .39 OD

GAS HEAT CONTROL BOX PARTS

75002878

REV
A



GAS HEAT CONTROL BOX PARTS

Parts List Number: VOY30001#VOY3UP1

Model Number: YCD480A4HD2B7ND1ACEFGH

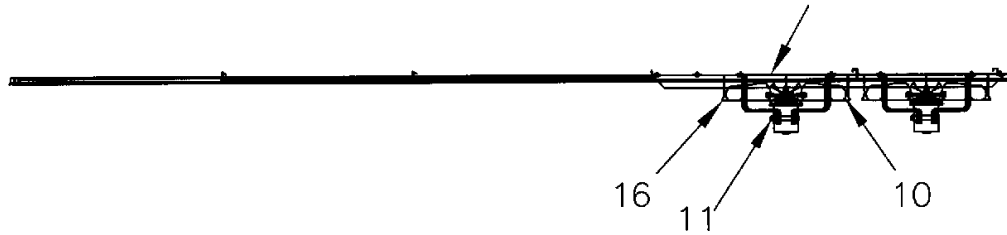
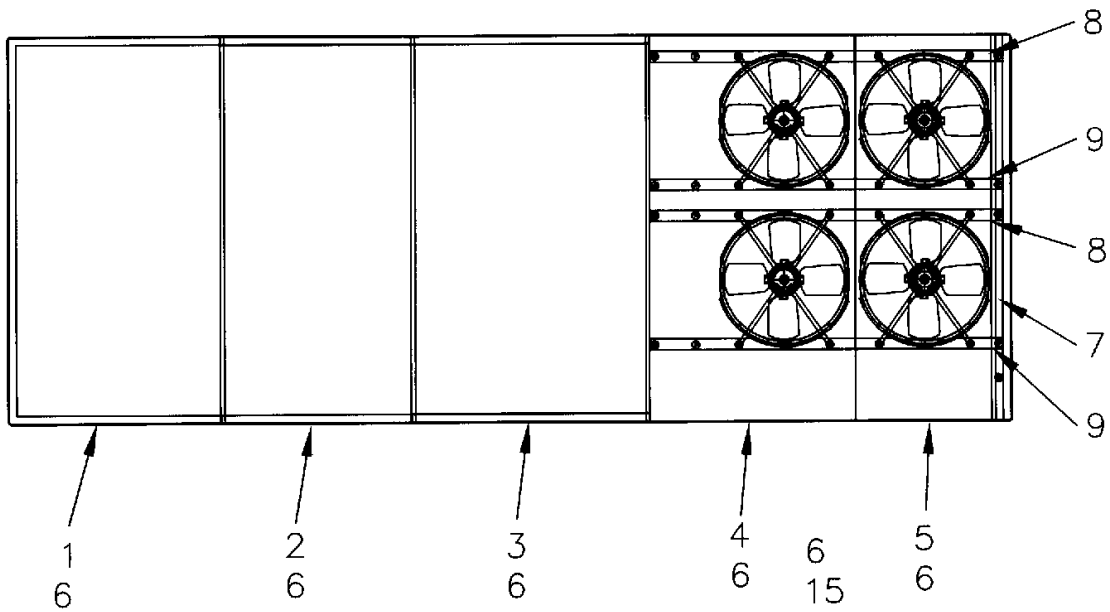
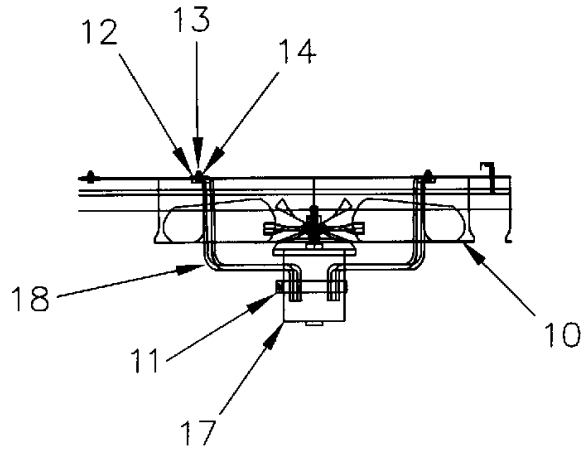
Part No.	Reference	Quantity	Description
CNT02062	4	2	CONTROL, IGNITION MODULE, GAS
RLY00969	7	1	RELAY; POWER DUTY, SWITCHING, DPDT, 6A AT 240V, 24V COIL
RLY01780	5	1	RELAY; CONT, DPDT, 24 VAC COIL, 75 OHMS, 5 A AT 120/240V CONTACTS SILVER GOLD DIFUSE
SCR00599	6	2	SCREW;10-24 X 1/2
SCR00906	8	2	SCREW; 8-32 X .50
SCR00907	2	0	SCREW; .25-20 X .50
SCR00907	3	0	SCREW; .25-20 X .50
TRR00664	1	2	TRANSFORMER; 350 VA, 460-575V PRI., 115-230V SEC.

Selected Assembly: 3faf2966-da3c-4643-8e2d-003f10ea113d
TOP COVER ASSEMBLY, 40 & 50 TON
Parts List Number: VOY30001#VOY3UP1
Model Number: YCD480A4HD2B7ND1ACEFGH

TOP COVER ASSEMBLY
40 & 50 TON UNITS

75000186

REV
D



TOP COVER ASSEMBLY, 40 & 50 TON
 Parts List Number: VOY30001#VOY3UP1
 Model Number: YCD480A4HD2B7ND1ACEFGH

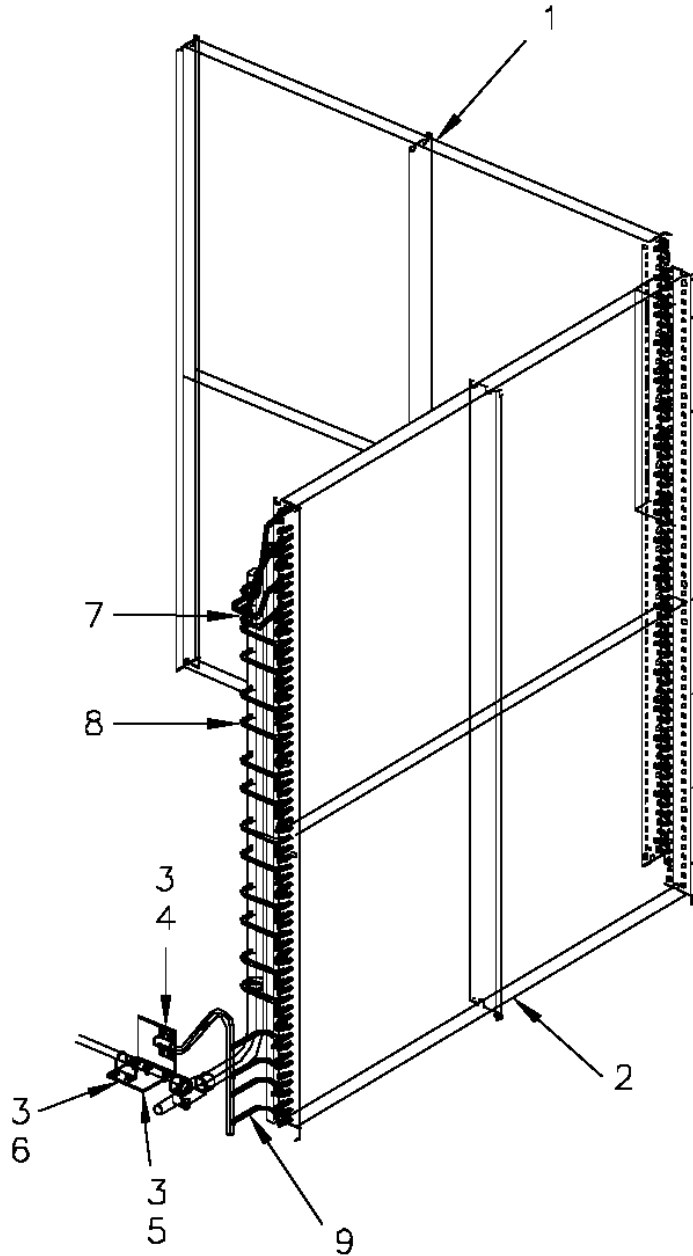
Part No.	Reference	Quantity	Description
ANG00831	8	2	ANGLE; OUTDOOR TOP COVER
ANG00836	9	2	ANGLE; OUTDOOR TOP COVER
BRK01972	18	16	BRACKET, MOTOR MTG ARM
BRK01973	11	4	BRACKET; MOTOR MOUNTING CENTER STRAP
BRK02045	7	1	BRACKET; OUTDOOR TOP COVER
COV02297	1	1	COVER; EVAP SECTION, 49" X 91"
COV02298	2	1	COVER; EVAP SECTION, 44" X 91"
COV02299	3	1	COVER; HEAT SECTION
COV02302	4	1	COVER; OUTDOOR SECTION
COV02303	5	1	COVER; OUTDOOR SECTION
FAN02215	10	4	FAN; 4 BLADE, ALUMINUM, 28 IN DIA, 29 DEG PITCH, CW, 5/8 IN BORE
GRD01027	15	4	GUARD; FAN 30IN. DIA
MOT06765	17	4	MOTOR; 1.1 HP, 460V, 1140 RPM, 48 FRAME, BALL BEARING, CCW, 25 MFD CPT AT 370V, SLINGER SHIPS WITH MOTOR.
NUT00755	14	0	NUT; HEX LOCK, .31-18
ORF01037	16	4	ORIFICE; FAN, 28IN. OD
SCR01557	6	0	SCREW; SHEET METAL 0.25-14 X 0.62, HEX HEAD, SLATE GRAY COLOR
SCR01583	13	0	SCREW;HEX CAP,.31-18X.75 HEX CAP,.31-18X.75
WAS00718	12	0	WASHER; .312 ID X 1.75 OD

Selected Assembly: 39ed13ce-1eff-4321-afe4-96326b861bea
CONDENSER COIL ASSEMBLY
Parts List Number: VOY30001#VOY3UP1
Model Number: YCD480A4HD2B7ND1ACEFGH

CONDENSER COIL ASSEMBLY

75000177

REV
C



CONDENSER COIL ASSEMBLY

Parts List Number: VOY30001#VOY3UP1

Model Number: YCD480A4HD2B7ND1ACEFGH

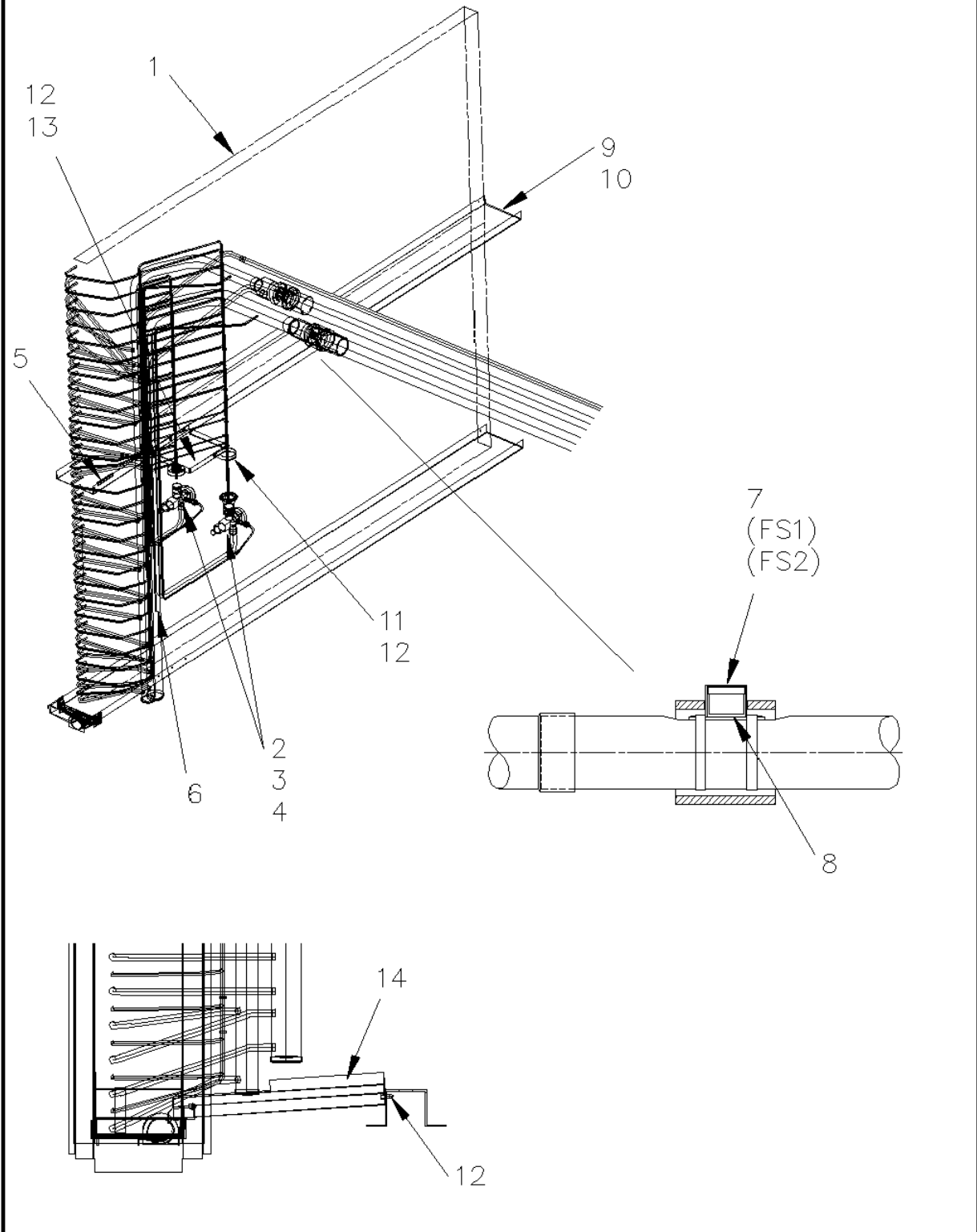
Part No.	Reference	Quantity	Description
BRK02101	5	1	BRACKET; TUBE CLAMPING
COL08897	2	1	COIL; CONDENSER ASSEMBLY #2, W/HEADERS
COL08905	1	1	COIL; CONDENSER ASSEMBLY #1, W/O HEADERS
HDR00483	8	1	HEADER; CONDENSER INLET CIRCUIT #1
HDR00484	8	1	HEADER; CONDENSER INLET CIRCUIT #2
HDR00485	7	1	HEADER; CONDENSER OUTLET CIRCUIT #1
HDR00486	7	1	HEADER; CONDENSER OUTLET CIRCUIT 2
HDR00487	9	1	HEADER; SUBCOOLER CIRCUIT 1
HDR00488	9	1	HEADER; SUBCOOLER, CIRCUIT 2
SCR01557	3	0	SCREW; SHEET METAL 0.25-14 X 0.62, HEX HEAD, SLATE GRAY COLOR
SRP00213	4	2	STRAP; .625 OD TUBE SIZE

Selected Assembly: 320e46c3-fedf-40af-a72a-e8bc3740b681
EVAPORATOR COIL & FILTER SECTION 40 & 50 TON
Parts List Number: VOY30001#VOY3UP1
Model Number: YCD480A4HD2B7ND1ACEFGH

EVAPORATOR COIL AND FILTER SECTION

75000179

REV
A



EVAPORATOR COIL & FILTER SECTION 40 & 50 TON

Parts List Number: VOY30001#VOY3UP1

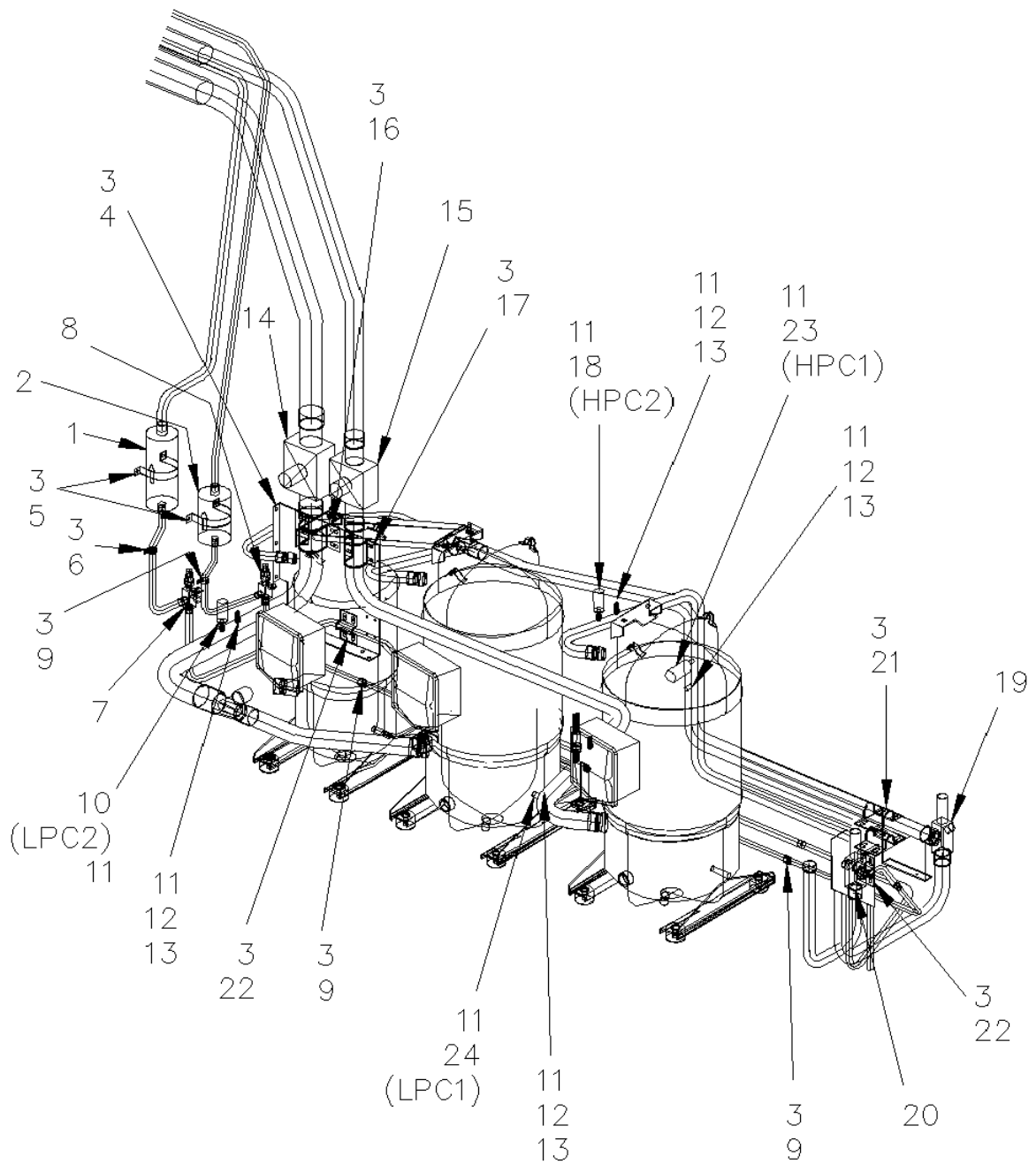
Model Number: YCD480A4HD2B7ND1ACEFGH

Part No.	Reference	Quantity	Description
BRK02098	13	1	BRACKET; EXPANSION VALVE
CLP00190	5	1	CLIP; FLEXIBLE TRIM 10 FT LONG
COL08901	1	1	COIL; EVAPORATOR ASSEMBLY
CON00466	*	1	CONNECTOR; DRAIN PAN, BLACK PLASTIC
DST00154	3	1	DISTRIBUTOR; 16 OUTLETS, .25 ODF, 1.38 ODM INLET, LESS NOZZLE & RING, BRASS
DST00256	3	1	DISTRIBUTOR;
FLR00497	10	17	FILTER; 2 X 16 X 20, THROWAWAY
GKT01722	6	1	GASKET;.12 X .75 X 50FT ROLL
HDL00078	9	2	HANDLE; FILTER PULLER
NOZ00039	4	1	NOZZLE;
NOZ00072	4	1	NOZZLE; AND RING ASSEMBLY
PAN02059	*	1	PAN; LOWER DRAIN PAN, 87.5 X 6.3
RSN00002	8	2	RESIN; HEAT CONDUCTIVE COMPOUND, 4 OZ.
SCR01557	12	0	SCREW; SHEET METAL 0.25-14 X 0.62, HEX HEAD, SLATE GRAY COLOR
SHD00280	14	1	SHIELD; DRIP, EVAP COIL, 14.80 X 87.46LG
SRP00054	11	2	STRAP; TIE-WIRE,.19-3.50DIA, REQUIRES .25 SCREW FOR MOUNTING
THT00680	7	2	THERMOSTAT;CONTROL,TEMP, OPEN 30F, CLOSE 40F, AUTO RESET
VAL01113	2	1	VALVE; EXPANSION, (R22) OVE-30-GA 7/8 X 1-3/8 ODF, 5 CAP, 1/4" SAE EQUALIZER, VGA CHARGE, 30 TONS, R22, 48.5 PSIG SETTING (NO REFRIGERANT CHARGE)
VAL01477	2	1	VALVE; EXPANSION, (R22) OVE-15-GA 5/8 X 1-1/8 ODF, 5' CAP, 1/4" SAE EQUALIZER, VGA CHARGE, 15 TONS, R22, 48 PSIG SETTING (NO REFRIGERANT CHARGE)

COMPRESSOR AND PIPING SECTION

75000178

REV
A



COMPRESSOR PIPING SECTION 40 & 50 TON

Parts List Number: VOY30001#VOY3UP1

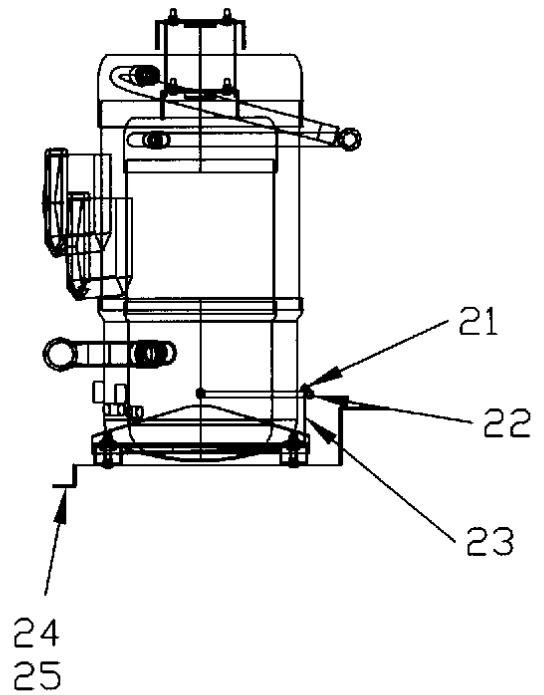
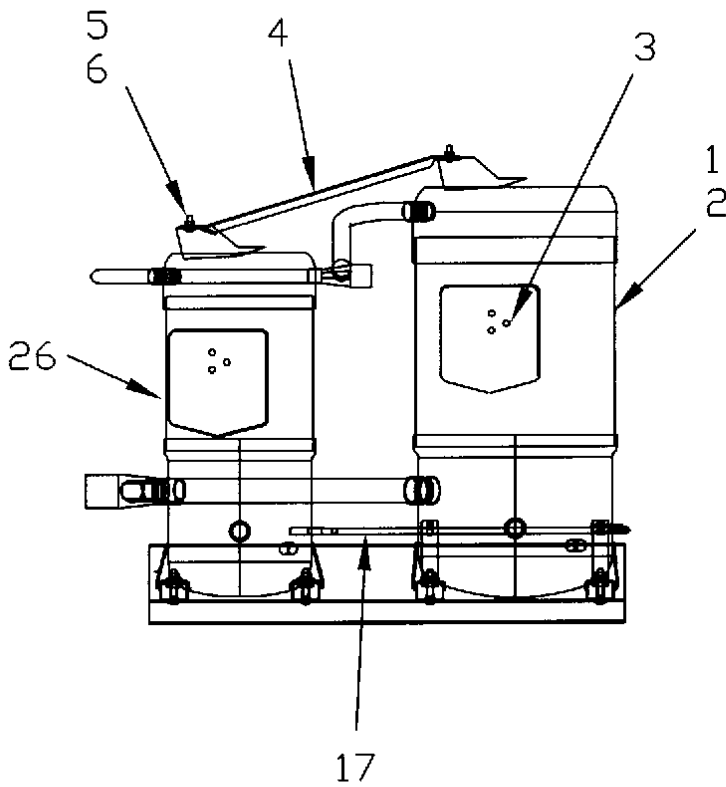
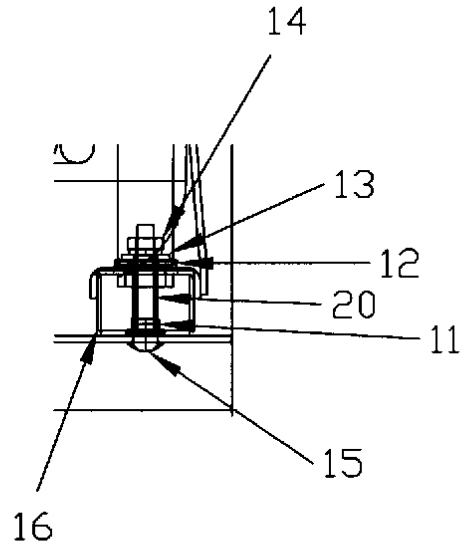
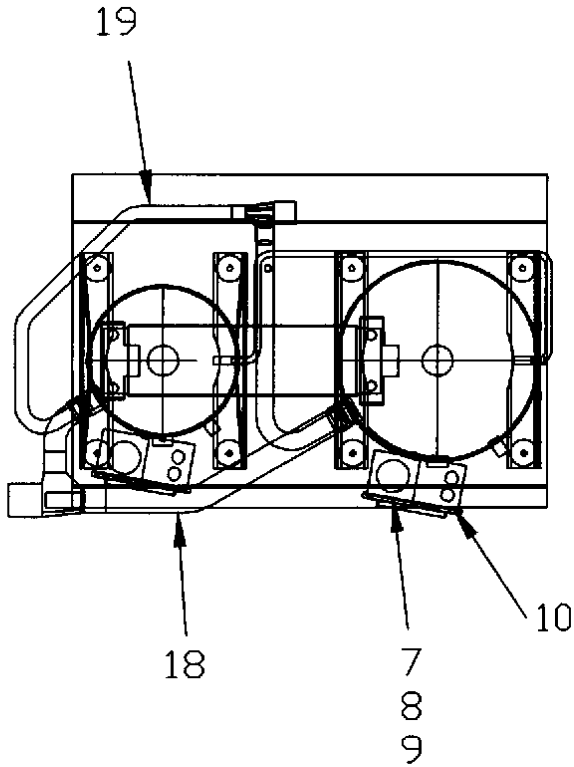
Model Number: YCD480A4HD2B7ND1ACEFGH

Part No.	Reference	Quantity	Description
BRK02096	4	1	BRACKET; SERVICE VALVE
CAP00072	13	4	CAP; VALVE, SEAL, .25 FFL
CLP00008	6	1	CLIP; CLAMP
CMP00225	9	3	CLAMP; TUBE .50 DIA
CNT01584	24	1	CONTROL; LOW PRESSURE, OPEN 7, CLOSE 22 PSI, 55 LEAD LENGTH
COR00006	12	4	CORE; VALVE PORT, .79 LENGTH, .206-36 UNS 2A THD
DHY00295	2	1	DRIER; DEHYDRATOR, FILTER
DHY00296	1	1	DRIER; DEHYDRATOR, FILTER
SCR01557	3	0	SCREW; SHEET METAL 0.25-14 X 0.62, HEX HEAD, SLATE GRAY COLOR
SRP00042	21	1	STRAP;TUBE
SRP00071	5	2	STRAP, DRIER MOUNTING
SRP00137	17	1	STRAP, TUBE 1.625 OD
SRP00138	16	1	STRAP, TUBE 2.125 OD
SRP00213	22	2	STRAP; .625 OD TUBE SIZE
SWT01718	10	1	SWITCH; LOW PRESSURE, 7 OP/22 CL, .25FFL
SWT01719	23	1	SWITCH; HI PRESSURE CNT., 405 OP/300 CL, .25 FFL W/DEFLATOR
SWT01720	18	1	SWITCH; HI PRESSURE CNT., 405 OP/300 CL, .25 FFL W/DEFLATOR
VAL01483	11	8	VALVE; BODY, .44-20 THD X .25 ODS, STRAIGHT, BRASS, LESS CORE
VAL02676	7	1	VALVE; ANGLE, FOR CAP ONLY USE CAP0444
VAL02859	20	1	VALVE; 1.12 ODS, ANGLE, LIQUID LINE SHUTOFF
VAL02863	19	1	VALVE; ANGLE, 1.38 ODS
VAL02867	14	1	VALVE; SERVICE, 1.62ODM X 1.62ODS BALL, 1.25 PORT BRASS W/COPPER CONNECTIONS
VAL02868	15	1	VALVE; 2.12ODM X 2.12ODS BALL
VAL04433	8	1	VALVE; ANGLE 0.50 IDS

COMPRESSOR SECTION 27.5 AND 40 TON

75003707

REV
A



COMPRESSOR SECTION 27.5 AND 40 TON UNITS

Parts List Number: VOY30001#VOY3UP1

Model Number: YCD480A4HD2B7ND1ACEFGH

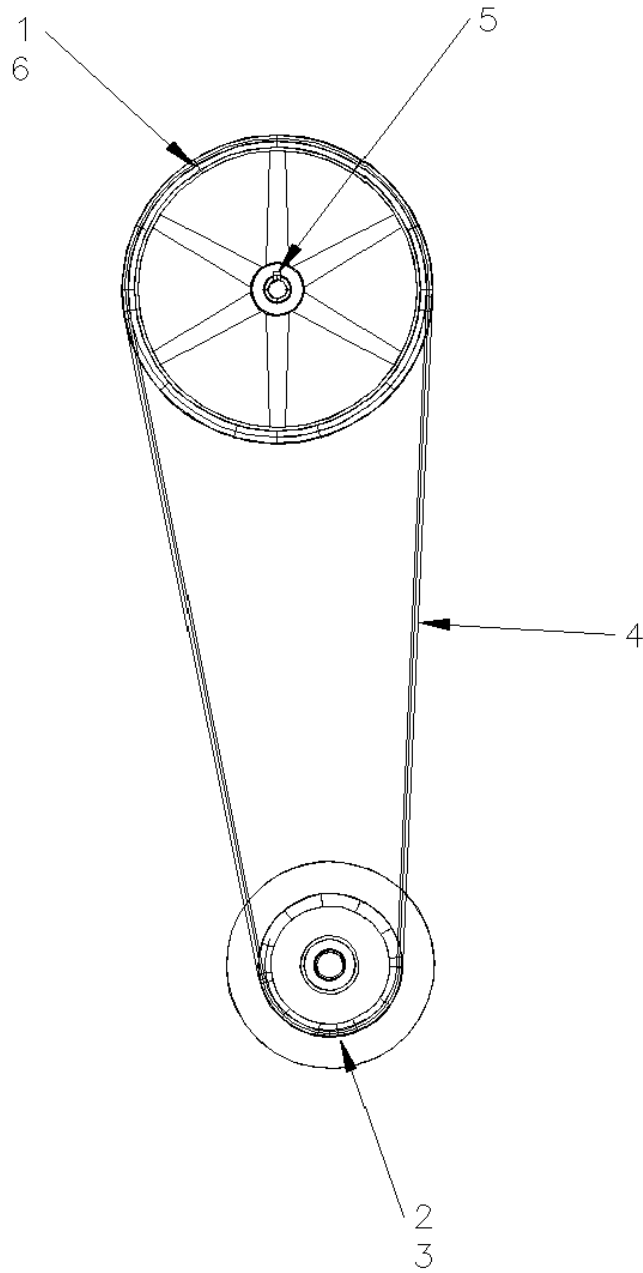
Part No.	Reference	Quantity	Description
BLT00169	15	0	BOLT; .31-18 X 2.00
BLT00265	5	4	BOLT, .31-18 X .62 LG.
BRK02500	23	2	BRACKET, EQUALIZER
BUS00380	8	2	CONNECTOR; 1 NOM 2 SCR-CND
CMP00225	22	2	CLAMP; TUBE .50 DIA
COM06238	26	1	COMPRESSOR; CSHA-100K-0*00/CSHA-100K-0*0A, 10 TON, 400/50/3, 460/60/3, BRAZE SWEAT, MINERAL OIL (OIL00042)
COM06297	1	2	COMPRESSOR; CSHA-140K-0*00/CSHA-140K-0*0A, 14 TON, 400/50/3, 460/60/3, BRAZE SWEAT, MINERAL OIL (OIL00042)
GRM00050	10	0	GROMMET; MOLDED .62 ID X .06 GRV, .88 KO X 1.12 ID, NEOPRENE/RUBBER
MNT00454	16	12	MOUNT; GROMMET, MOLDED, .438/.435ID X .12 GRV
NUT00010	14	0	NUT; .31-18
NUT00248	6	4	NUT; LOCK, .31-18
NUT00452	11	0	NUT; .31 DIA
OIL00042	2	0	MIN=4/4 OIL; COMPRESSOR, 150 SUS, WITH LUBRICITY ADDITIVE. 1 GAL CONTAINER - MINIMUM ORDER QUANTITY = 4
PLT02247	24	1	PLATE; COMPRESSOR MOUNTING
PLT02248	25	1	PLATE; COMPRESSOR MOUNTING
PLT02848	4	1	PLATE, COMPRESSOR
SCR00928	21	0	SCREW, 6-32 X .38
SCR01572	3	0	SCREW; 10-32 X .31 MACH
SLV00097	9	3	SLEEVE, 1 NOM, CONDUIT
SPC00186	20	0	SPACER, .34 ID X .44 OD X 1.12
TUB06402	17	1	TUBE; EQUALIZER
TUB08672	18	1	TUBE; SUCTION LINE MANIFOLD
TUB08675	19	1	TUBE; DISCHARGE LINE
WAS00011	12	0	WASHER; 0.375 ID X .875 OD X .083 THK
WAS00110	13	0	WASHER;LOCK,.312 NOM
WAS00762	7	4	WASHER;REDUCING, 1.25 X 1.00

Selected Assembly: 63d28479-898b-4c61-804f-1a5fa45a87cd
DRIVE PARTS ASSEMBLY
Parts List Number: VOY30001#VOY3UP1
Model Number: YCD480A4HD2B7ND1ACEFGH

DRIVE PARTS ASSEMBLY

75000189

REV
A



DRIVE PARTS ASSEMBLY

Parts List Number: VOY30001#VOY3UP1

Model Number: YCD480A4HD2B7ND1ACEFGH

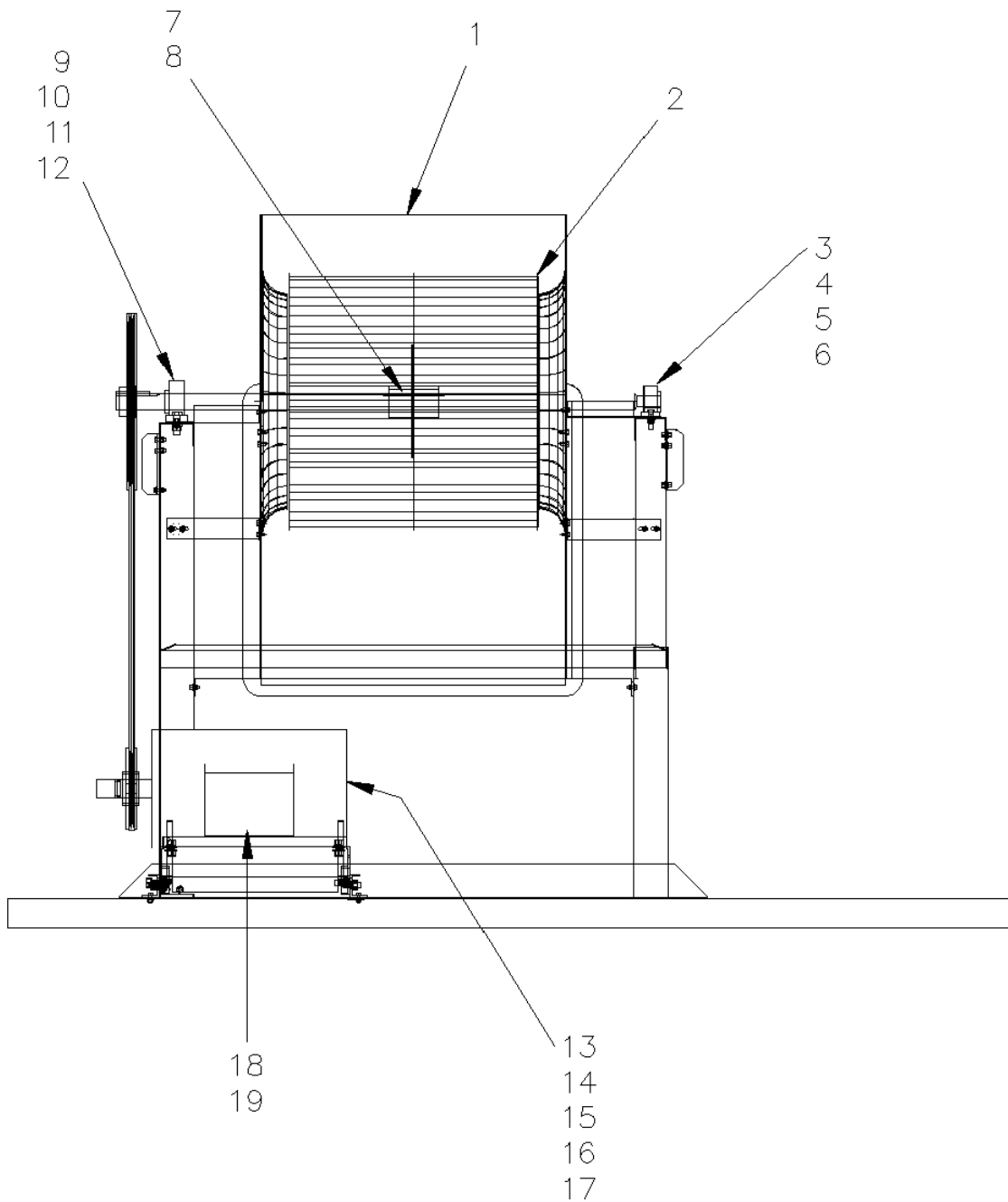
Part No.	Reference	Quantity	Description
B00174	4	2	BELT;V (BX), BX97, 100.0 OUTSIDE LG. X 98.8 PITCH LG.
BUS00549	3	1	BUSHING; B, 1 5/8IN. O.D.
BUS00550	6	1	BUSHING;B, 1 11/16IN. O.D.
KEY00043	5	1	KEY;3/8IN.X 3/8IN.X 3IN.
SHE01343	2	1	SHEAVE; 2B5V54 LESS B BUSHING
SHE01359	1	1	SHEAVE; 2B5V136 LESS B BUSHING

Selected Assembly: 715e5d3c-558a-48d4-b5c1-a996da52e024
SUPPLY BLOWER ASSEMBLY AND VARIABLE FREQUENCY DRIVE (VFD)
Parts List Number: VOY30001#VOY3UP1
Model Number: YCD480A4HD2B7ND1ACEFGH

SUPPLY BLOWER ASSEMBLY AND
VARIABLE FREQUENCY DRIVE (VFD)

75000190

REV
B



SUPPLY BLOWER ASSEMBLY AND VARIABLE FREQUENCY DRIVE (VFD)

Parts List Number: VOY30001#VOY3UP1

Model Number: YCD480A4HD2B7ND1ACEFGH

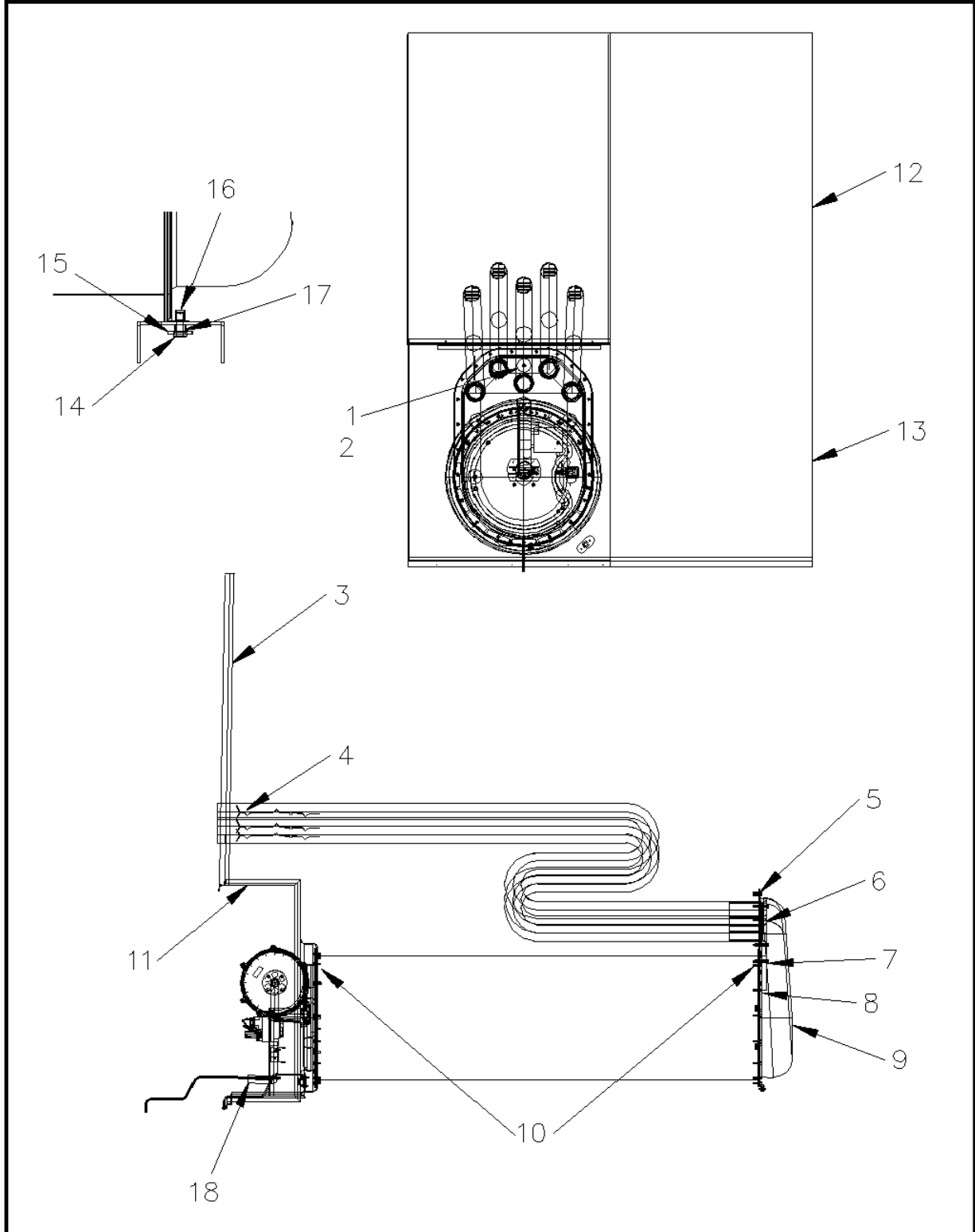
Part No.	Reference	Quantity	Description
BRG00957	3	1	BEARING; 1.00 BORE, PILLOW BLK
BRG00960	9	1	BEARING; 1.69 BORE, PILLOW BLOCK
COF00119	*	1	CUTOFF; FAN
HUS03112	1	1	HOUSING; FAN 25"
KEY00432	8	1	KEY; .38 SQ X 5.00 LG
MOT09354	13	1	MOTOR; 15 HP, 230/460/60/3, 1760 RPM, 254T, CCW, REVERSIBLE, BALL BEARING, EISA
NUT00600	6	2	NUT; 0.38-16 HEX MACHINE
NUT00654	11	2	NUT; .50-13
NUT00654	15	4	NUT; .50-13
NUT00733	*	2	NUT; .50-13
SCR00575	4	2	SCREW; ZINC PLD W/CONVERSION COATING, .38-16 X 1.5 HX CAP
SCR01411	10	2	SCREW, .50-13 X 1.75
SCR01411	14	4	SCREW, .50-13 X 1.75
SCR02012	*	2	SCREW; REPLACEMENT CAP, CONTAINS SCREW # PS-370, 10 PIECE KIT, KT-30024
SHF02024	7	1	SHAFT; 1.688 DIA X 53.55, INDOOR FAN
WAS00001	12	2	WASHER; LOCK, .50 NOM HELICAL SPRING, CARBON STEEL
WAS00001	16	4	WASHER; LOCK, .50 NOM HELICAL SPRING, CARBON STEEL
WAS00013	5	2	WASHER; LOCK, .38 ID X .68 OD
WAS00317	17	8	WASHER;FLAT,PLAIN,.53ID X 1.06OD,.095THK,CARBON-STL PLD
WHL00748	2	1	WHEEL; 1.69 IN. BORE, CLASS 1, 25.5 FC FAN

Selected Assembly: 5397ea6a-ae7b-4f52-83ab-c035b008da02
HEAT EXCHANGER ASSEMBLY 40 & 50 TON
Parts List Number: VOY30001#VOY3UP1
Model Number: YCD480A4HD2B7ND1ACEFGH

HEAT EXCHANGER
400 MBH

75000198

REV
A



HEAT EXCHANGER ASSEMBLY 40 & 50 TON
 Parts List Number: VOY30001#VOY3UP1
 Model Number: YCD480A4HD2B7ND1ACEFGH

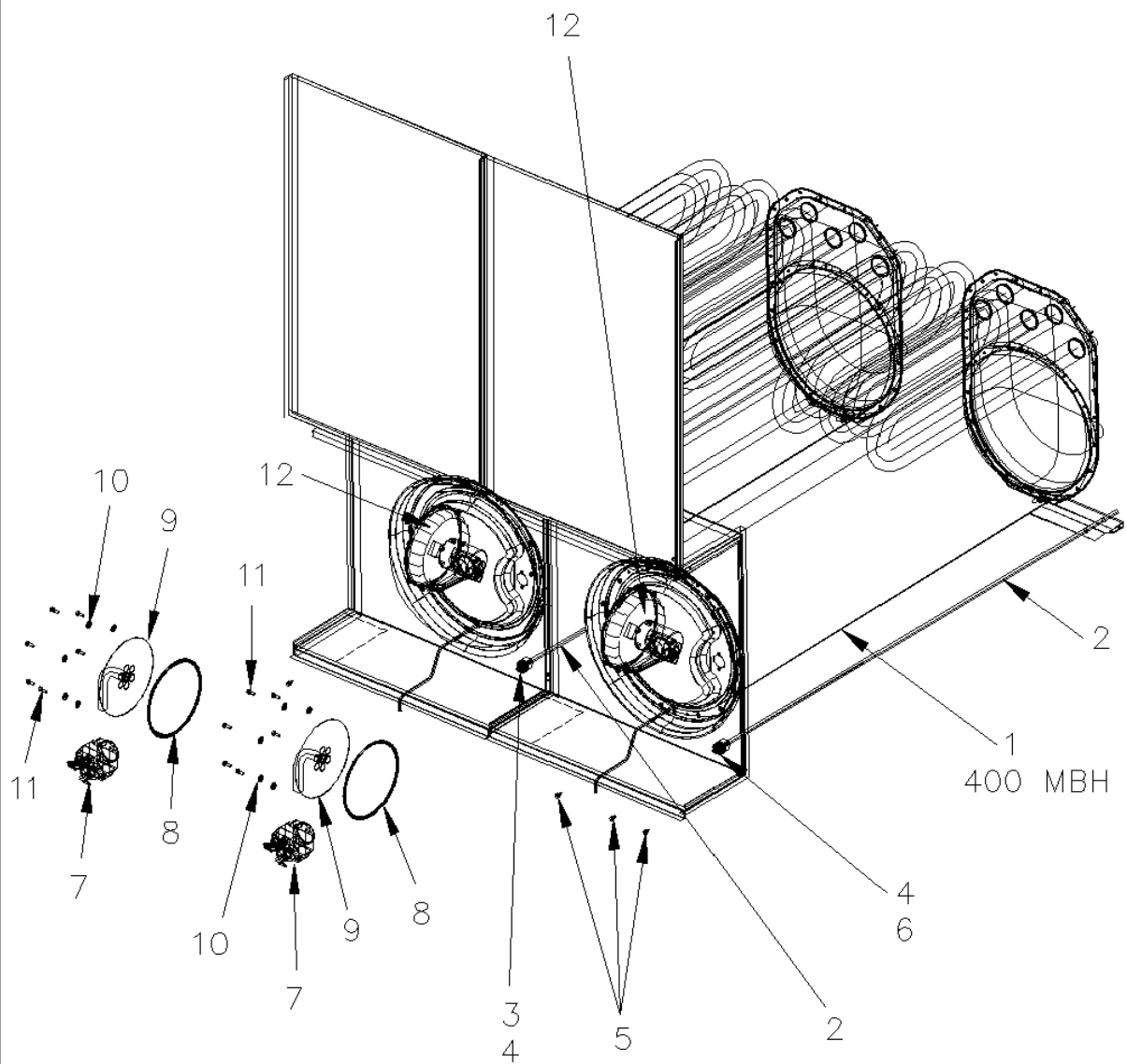
Part No.	Reference	Quantity	Description
CNT01034	6	1	CONTROL;LIMIT, 160F, NC, SPST, 125VA, INCLUDES CAPILLARY TUBE.
CNT01047	3	1	CONTROL; TEMP, OPEN 190F, SPST
CNT01221	7	2	CONTROL; VALVE, GAS, .75 NPTI, 24 VAC, NEGATIVE PRESSURE OPERATION
COV01350	9	1	COVER; DRUM END COLLECTOR
EXC01296	1	2	EXCHANGER; HEAT 400 MBH LOW HEAT, 79 LG X 74 H X 28 W, DOES NOT INCLUDE COMBUSTION BLOWER GAS VALVE OR IGNITER
GKT02141	10	2	GASKET; .06 THK X 18.85 DIAMETER, HI-TEMP
GKT02142	5	1	GASKET; .06 THK, HI-TEMP, DRUM END COVER
GKT03053	8	2	GASKET; EDGE TRIM, .062 X 9.0 DIAMETER
INS01675	8	1	INSULATION; DRUM END PLATE
NUT00512	16	0	NUT;.25-20 RIVNUT
ORF01032	9	2	ORIFICE; .437 DIAMETER
PIP00363	18	1	PIPE; GAS/PLENUM - HI HEAT
PNE03195	3	1	PANEL; EXHAUST
PNN01026	11	1	PANEL;GAS VESTIBULE
SCR01070	11	0	SCREW; HEX SOCKET, .25-20 X .75
SCR01070	14	0	SCREW; HEX SOCKET, .25-20 X .75
SCR01342	2	0	SCREW; .25-20 X 1.75 HEX MACHINE
SCR01342	7	0	SCREW; .25-20 X 1.75 HEX MACHINE
SCR01557	5	0	SCREW; SHEET METAL 0.25-14 X 0.62, HEX HEAD, SLATE GRAY COLOR
SPC00211	17	0	SPACER;.34 ID X .44 OD X .25
SPC00273	4	2	SPACER, .194 X .375 LG.
TRB00024	4	5	TURBULATOR;
TUB04717	2	2	TUBE; TEMPERATURE PROBE
TUB07189	6	5	TUBE; FORMED TUBE END (FLARED), 2.00" OD X 5.015" TOTAL LENGTH, 2.562" FLARED TUBE END OUTER FLANGE DIA, 18SR STAINLESS STEEL
WAS00011	15	0	WASHER; 0.375 ID X .875 OD X .083 THK
WAS00685	10	0	WASHER; .281 ID X .625 OD
WAS00720	1	0	WASHER; .375 ID X 2.00 OD

Selected Assembly: fa628770-4838-43c0-a515-3ff02763a280
HEAT EXCHANGER ASSEMBLY 40 & 50 TON
Parts List Number: VOY30001#VOY3UP1
Model Number: YCD480A4HD2B7ND1ACEFGH

HEAT EXCHANGER ASSEMBLY
400 MBH

75000199

REV
A



HEAT EXCHANGER ASSEMBLY 40 & 50 TON
 Parts List Number: VOY30001#VOY3UP1
 Model Number: YCD480A4HD2B7ND1ACEFGH

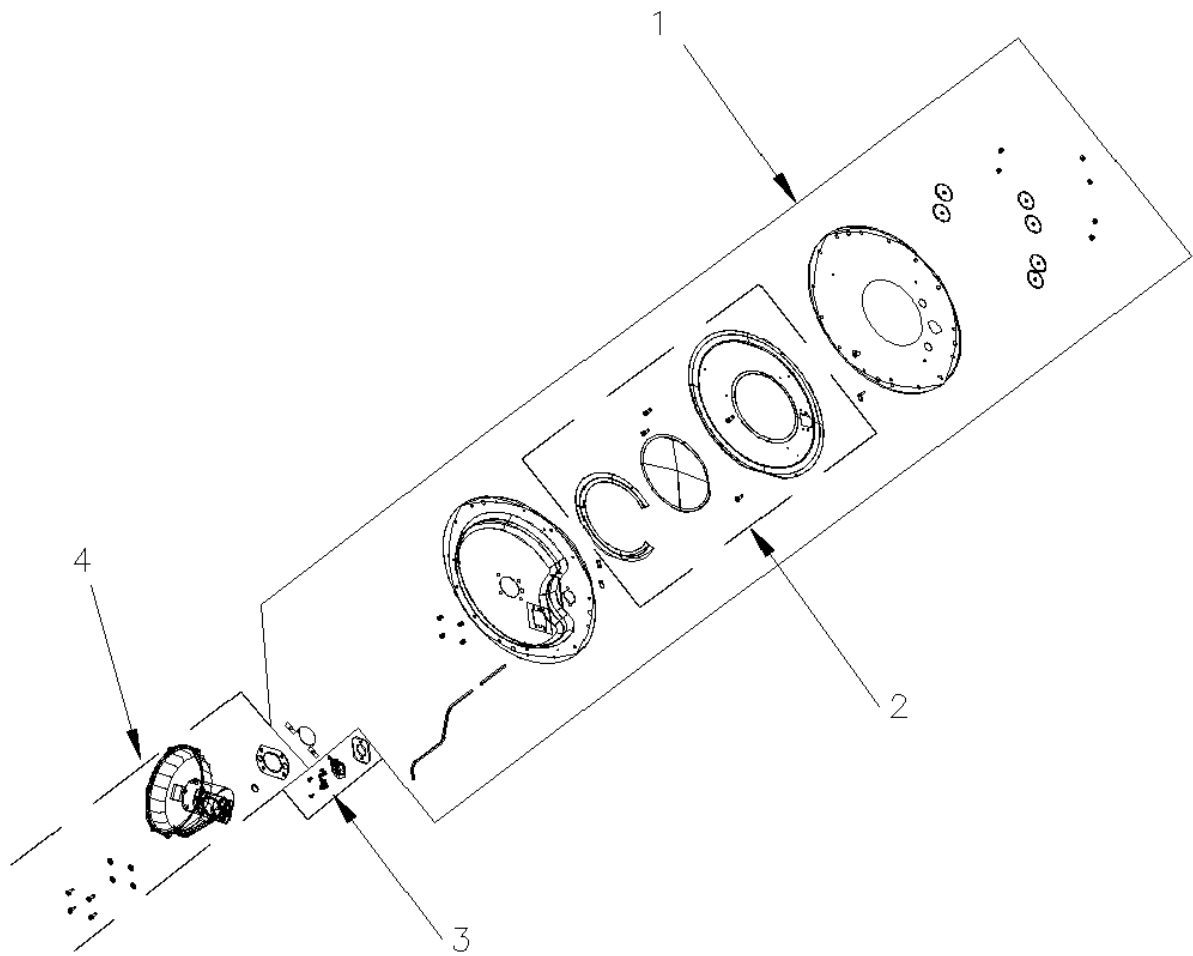
Part No.	Reference	Quantity	Description
CNT01034	6	1	CONTROL;LIMIT, 160F, NC, SPST, 125VA, INCLUDES CAPILLARY TUBE.
CNT01047	3	1	CONTROL; TEMP, OPEN 190F, SPST
CNT01221	7	2	CONTROL; VALVE, GAS, .75 NPTI, 24 VAC, NEGATIVE PRESSURE OPERATION
COV01350	9	1	COVER; DRUM END COLLECTOR
EXC01296	1	2	EXCHANGER; HEAT 400 MBH LOW HEAT, 79 LG X 74 H X 28 W, DOES NOT INCLUDE COMBUSTION BLOWER GAS VALVE OR IGNITER
GKT02141	10	2	GASKET; .06 THK X 18.85 DIAMETER, HI-TEMP
GKT02142	5	1	GASKET; .06 THK, HI-TEMP, DRUM END COVER
GKT03053	8	2	GASKET; EDGE TRIM, .062 X 9.0 DIAMETER
INS01675	8	1	INSULATION; DRUM END PLATE
NUT00512	16	0	NUT;.25-20 RIVNUT
ORF01032	9	2	ORIFICE; .437 DIAMETER
PIP00363	18	1	PIPE; GAS/PLENUM - HI HEAT
PNE03195	3	1	PANEL; EXHAUST
PNN01026	11	1	PANEL;GAS VESTIBULE
SCR01070	11	0	SCREW; HEX SOCKET, .25-20 X .75
SCR01070	14	0	SCREW; HEX SOCKET, .25-20 X .75
SCR01342	2	0	SCREW; .25-20 X 1.75 HEX MACHINE
SCR01342	7	0	SCREW; .25-20 X 1.75 HEX MACHINE
SCR01557	5	0	SCREW; SHEET METAL 0.25-14 X 0.62, HEX HEAD, SLATE GRAY COLOR
SPC00211	17	0	SPACER;.34 ID X .44 OD X .25
SPC00273	4	2	SPACER, .194 X .375 LG.
TRB00024	4	5	TURBULATOR;
TUB04717	2	2	TUBE; TEMPERATURE PROBE
TUB07189	6	5	TUBE; FORMED TUBE END (FLARED), 2.00" OD X 5.015" TOTAL LENGTH, 2.562" FLARED TUBE END OUTER FLANGE DIA, 18SR STAINLESS STEEL
WAS00011	15	0	WASHER; 0.375 ID X .875 OD X .083 THK
WAS00685	10	0	WASHER; .281 ID X .625 OD
WAS00720	1	0	WASHER; .375 ID X 2.00 OD

Selected Assembly: c7cf6503-71a9-4ba8-9843-4d3271b65a98
BURNER CAP PLATE ASSEMBLY, 350 MBH & 400 MBH
Parts List Number: VOY30001#VOY3UP1
Model Number: YCD480A4HD2B7ND1ACEFGH

BURNER CAP PLATE ASSEMBLY
350 MBH & 400 MBH

75000197

REV
A



BURNER CAP PLATE ASSEMBLY, 350 MBH & 400 MBH

Parts List Number: VOY30001#VOY3UP1

Model Number: YCD480A4HD2B7ND1ACEFGH

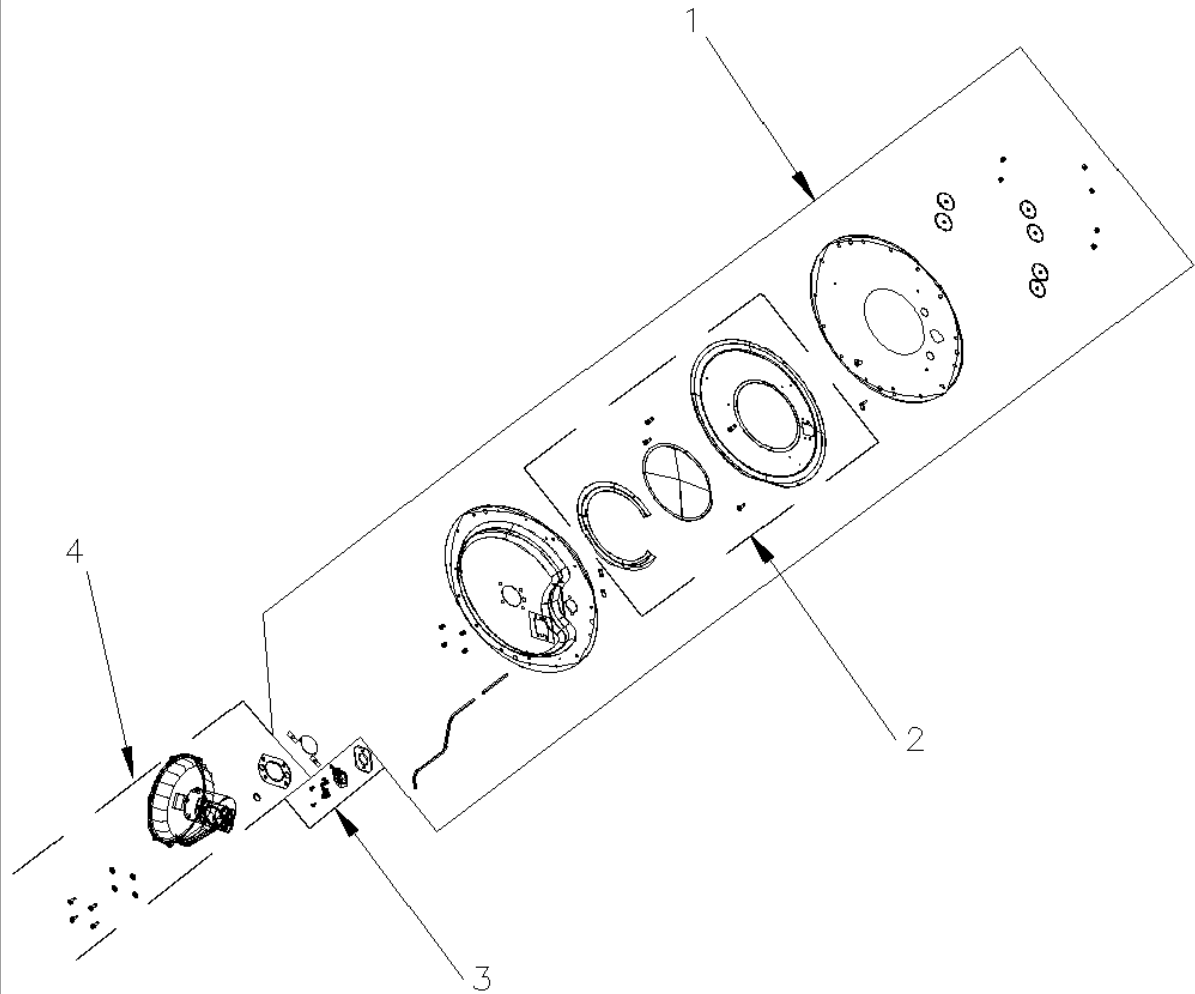
Part No.	Reference	Quantity	Description
FAN02379	4	1	FAN;ASSEMBLY W/2 SPEED MOTOR
GLS00144	*	2	GLASS; SIGHT, .75 OD X .12 THK
KIT03033	3	1	KIT; IGNITOR
PLT02613	1	1	PLATE; BURNER CAP ASSEMBLY, 17" DRUM, 350/400 MBH
SRN00632	2	1	SCREEN;ASSEMBLY

Selected Assembly: 62c7f55e-b8a6-4a0f-97fa-4ca53236fd58
BURNER CAP PLATE ASSEMBLY, 250 MBH
Parts List Number: VOY30001#VOY3UP1
Model Number: YCD480A4HD2B7ND1ACEFGH

BURNER CAP PLATE ASSEMBLY
250 MBH

75000191

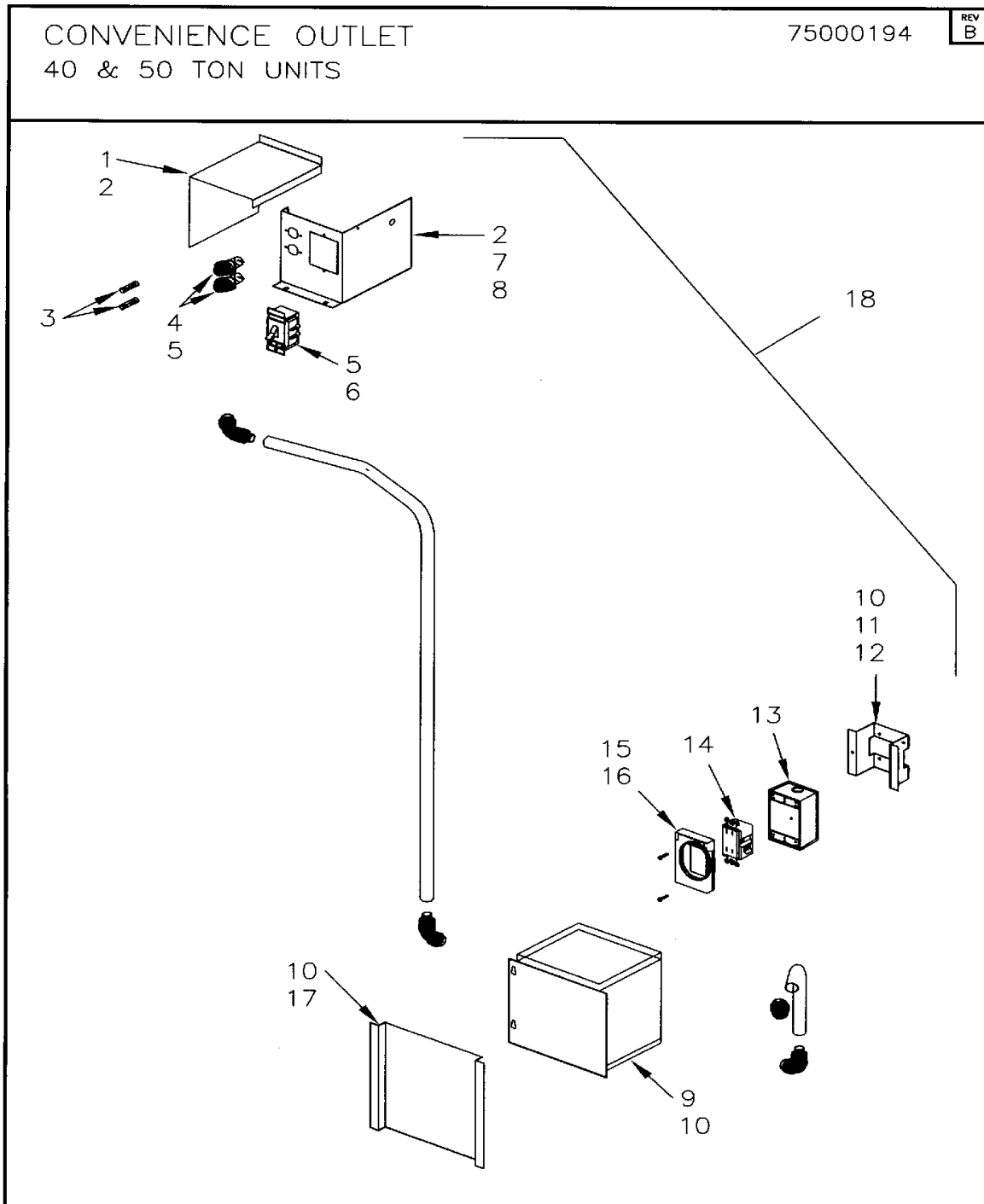
REV
A



BURNER CAP PLATE ASSEMBLY, 250 MBH
Parts List Number: VOY30001#VOY3UP1
Model Number: YCD480A4HD2B7ND1ACEFGH

Part No.	Reference	Quantity	Description
GLS00144	*	2	GLASS; SIGHT, .75 OD X .12 THK
KIT03033	3	1	KIT; IGNITOR

Selected Assembly: 687581a7-94d9-448f-9a5e-38f8b652de4b
CONVENIENCE OUTLET, 40 & 50 TON
Parts List Number: VOY30001#VOY3UP1
Model Number: YCD480A4HD2B7ND1ACEFGH



CONVENIENCE OUTLET, 40 & 50 TON
 Parts List Number: VOY30001#VOY3UP1
 Model Number: YCD480A4HD2B7ND1ACEFGH

Part No.	Reference	Quantity	Description
BOX01038	13	1	BOX;OUTLET 4.50 X 2.75 X 2
BRK02214	11	1	BRACKET; CONVEN. OUTLET BOX
BRK02216	7	1	BRACKET; CONVEN. OUTLET SWITCH
BRK02217	17	1	BRACKET; CONVEN. OUTLET TRAN
BUS00292	8	1	BUSHING; .38 ID SNAP
COV02372	15	1	COVER; OUTDOOR LIGHTING, HINGED LID, GASKET INCLUDED, 4.56 X 2.81
COV02470	1	1	COVER; CONVEN. OUTLET SWITCH
FUS00972	3	2	FUSE; 5A., 600V.
HLD00042	4	2	HOLDER; FUSE, WATERTIGHT, STRAIGHT BOTTOM TERMINAL, 1-13/32 X 1-1/2 FUSE LENGTH
RCT00074	14	1	RECEPTACLE; 15A, 125V, DOES NOT INCLUDE WALL PLATE, PLT01570
RCT00102	18	1	RECEPTACLE; CONVENIENCE OUTLET 460/575V
SCR00709	2	0	SCREW, 10-24 X .50
SCR00889	12	0	SCREW, 10-32 X .50
SCR00906	5	0	SCREW; 8-32 X .50
SCR00909	16	0	SCREW, 6-32 X .75
SCR01557	10	0	SCREW; SHEET METAL 0.25-14 X 0.62, HEX HEAD, SLATE GRAY COLOR
SWT01680	6	1	SWITCH; TOGGLE, DPST, 30A, 600V
TRR01034	9	1	TRANSFORMER; 460/575V PRI, 120V SEC

SENSOR LOCATION

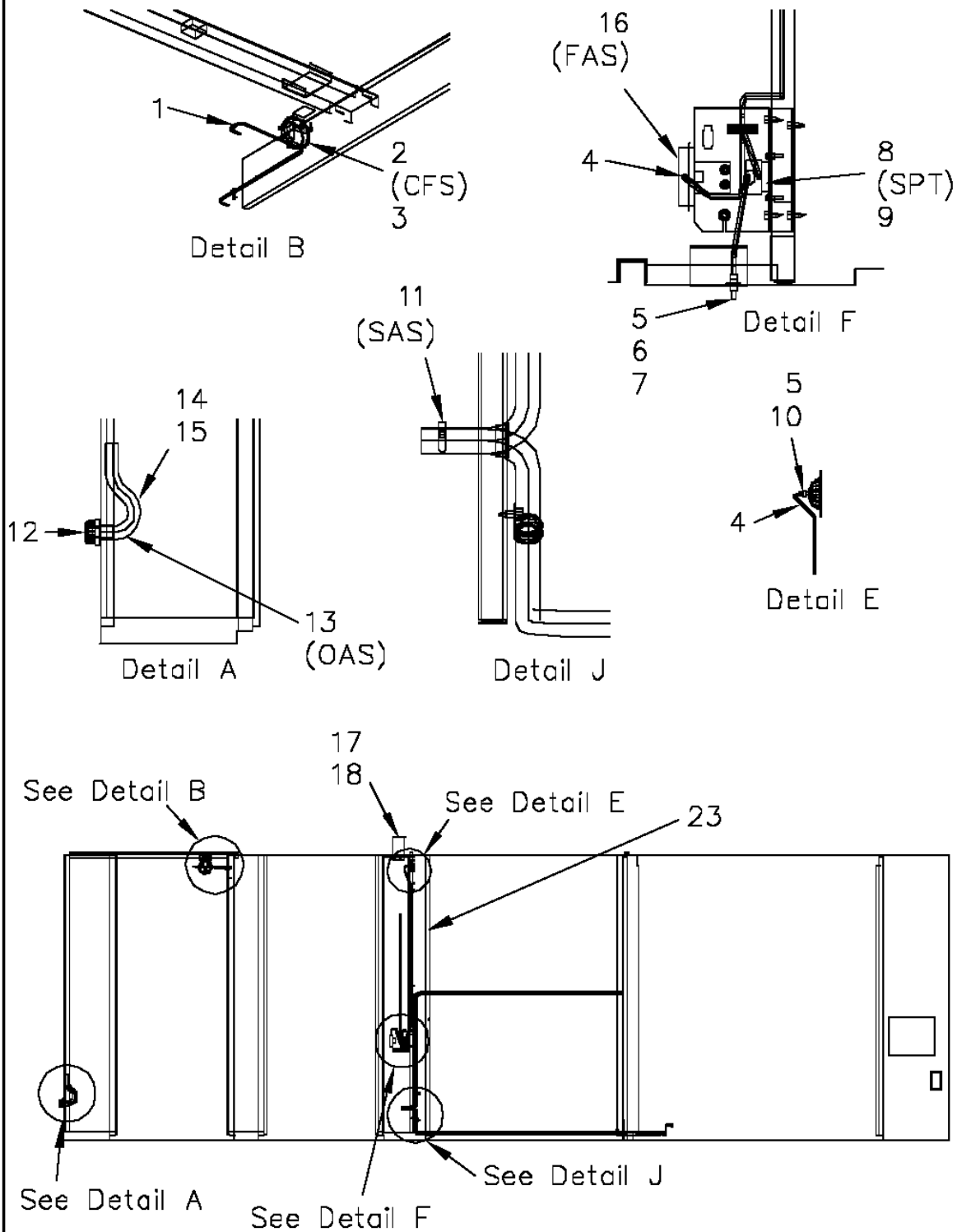
Parts List Number: VOY30001#VOY3UP1

Model Number: YCD480A4HD2B7ND1ACEFGH

SENSOR LOCATION

75000196

REV
C

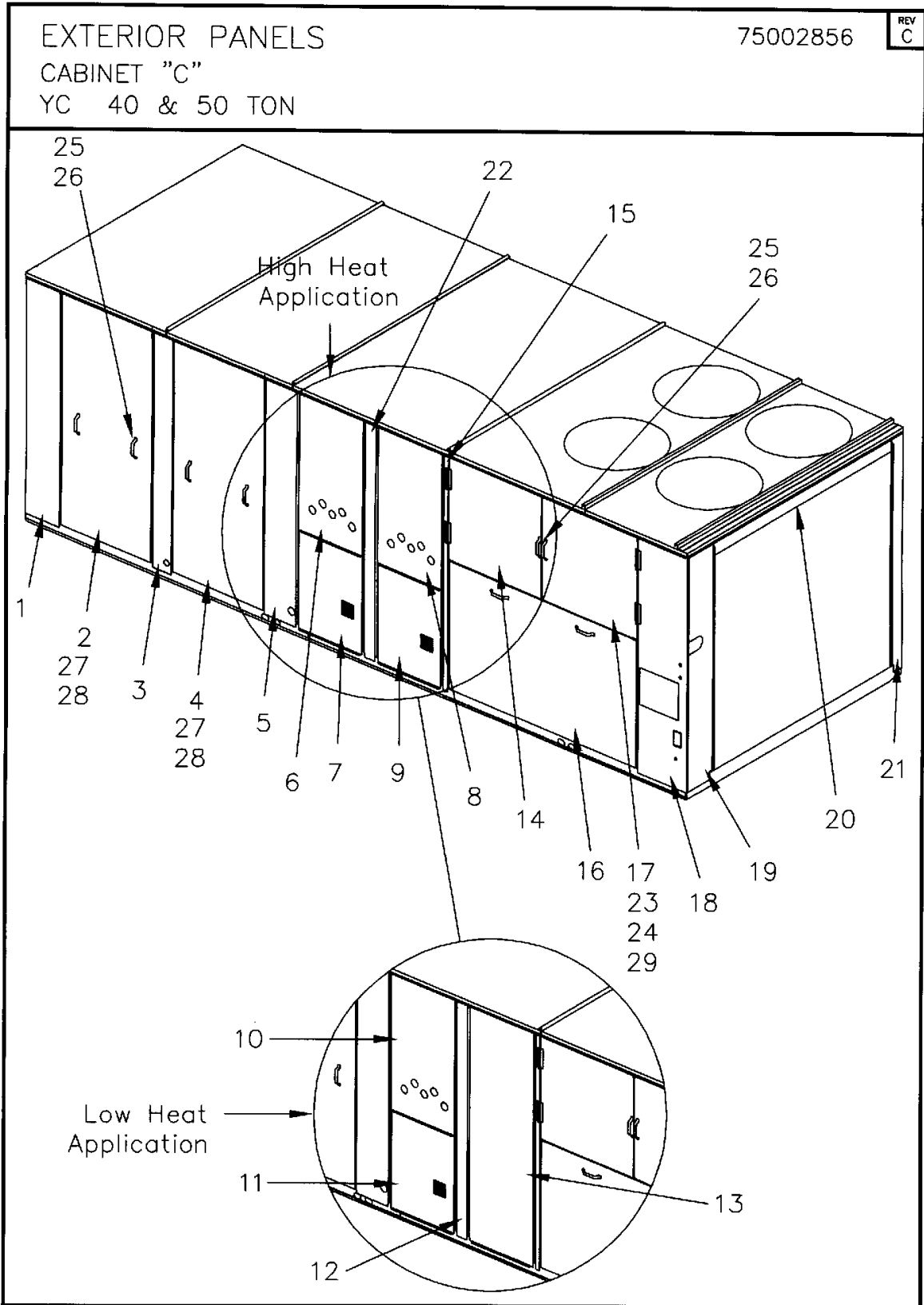


SENSOR LOCATION

Parts List Number: VOY30001#VOY3UP1

Model Number: YCD480A4HD2B7ND1ACEFGH

Part No.	Reference	Quantity	Description
CNT01015	*	1	CONTROL, LIMIT, 135 OPEN, 105 CLOSE
CPL00387	15	1	COUPLING; ODAS TUBE
SCR01557	3	0	SCREW; SHEET METAL 0.25-14 X 0.62, HEX HEAD, SLATE GRAY COLOR
SEN00339	11	1	SENSOR; THERMISTOR, PROBE, -40C TO 65C TEMP RANGE
SEN00339	13	1	SENSOR; THERMISTOR, PROBE, -40C TO 65C TEMP RANGE
SRA00198	12	1	STRAINER;
SWT01663	2	1	SWITCH; PRESSURE, SPDT, 300 VA AT 120-277V, W/ MTG BRACKET
SWT01664	16	1	SWITCH; PRESSURE, SPDT, 28VA AT 24V., W/MTG BRACKET
TUB01678	1	1	TUBE;1/4IN. PLASTIC TUBING, 1 PIECE EQUALS 10 FEET
TUB08364	14	1	TUBE; P-TRAP, .75 OD
WAS00441	10	1	WASHER;FLT,PLN,.307 IDX.749 OD, .051 THK,STL,ZNC,CHRM PLD



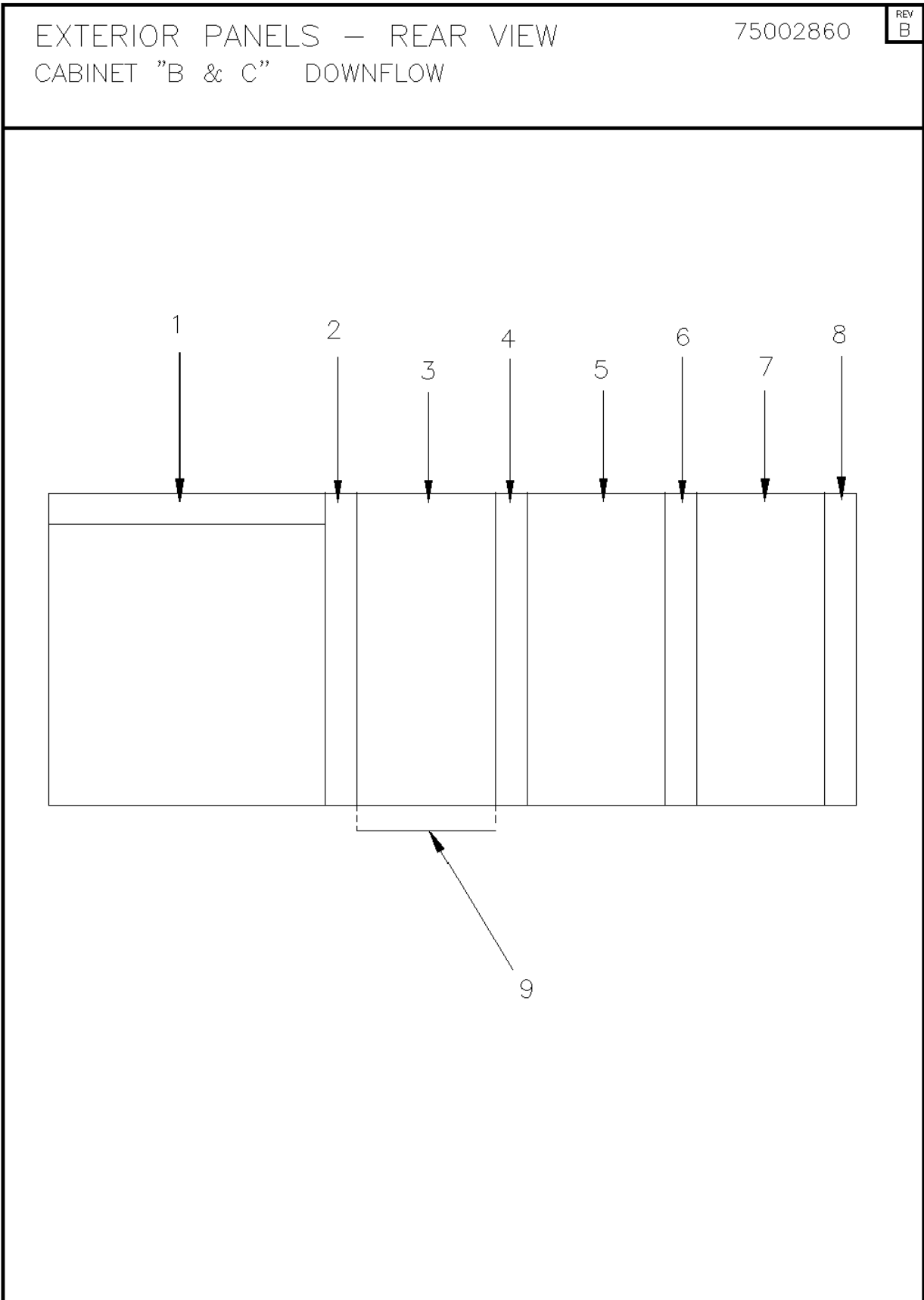
EXTERIOR PANELS FOR CABINET C, YC 40 & 50 TON

Parts List Number: VOY30001#VOY3UP1

Model Number: YCD480A4HD2B7ND1ACEFGH

Part No.	Reference	Quantity	Description
BOF00983	20	1	BLOCKOFF; CONDENSER COIL TOP
CAT00008	24	0	CATCH;DOOR, .75W X 1.09 LG.
HNG00101	29	0	HINGE; CUSTOM-ZINC PLD STEEL
HNG00832	27	0	HINGE; DOOR, .08 ALUMINUM 2.26 W X 12 LG, PIN DIA .187 SST
KNB00059	25	0	KNOB, DOOR
LAT00069	28	0	LATCH; HANDLE ASSEMBLY, LIFT AND TURN SIDE PAWL
PAI00086	*	0	PAINT; SPRAY, SLATE GREY, MID GLOSS(60) (SHIPPING UOM 12 OZ HAZ)
PNE03618	17	1	PANEL; ACCESS RIGHT
PNE03646	14	1	PANEL; CONTROL BOX LEFT
PNE03649	19	1	PANEL; SUPPORT CORNER CONDENSER
PNE03652	16	1	PANEL; ACCESS CONDENSER SECTION
PNE03654	7	1	PANEL; HEAT ACCESS
PNE03654	9	1	PANEL; HEAT ACCESS
PNE03669	6	1	PANEL; ACCESS EXHAUST
PNE03669	8	1	PANEL; ACCESS EXHAUST
PNE03671	4	1	PANEL; ACCESS EVAP SECTION
PNE03672	2	1	PANEL; ACCESS EVAPORATOR SECTION
SCR00889	23	0	SCREW, 10-32 X .50
SCR01557	26	0	SCREW; SHEET METAL 0.25-14 X 0.62, HEX HEAD, SLATE GRAY COLOR
SUP02856	21	1	SUPPORT; CORNER POST
SUP03124	18	1	SUPPORT, CORNER COND. FRONT
SUP03126	15	1	SUPPORT, POST RIGHT SIDE
SUP03141	22	1	SUPPORT, GAS HEAT
SUP03143	5	1	SUPPORT, CENTER POST GAS
SUP03145	3	1	SUPPORT, FRONT EVAP COIL
SUP03147	1	1	SUPPORT, CORNER FRONT LEFT

Selected Assembly: 9a2a6415-c749-4c0c-b76e-adf2818eb3c6
EXTERIOR PANELS - REAR VIEW, CABINET "B" DOWNFLOW
Parts List Number: VOY30001#VOY3UP1
Model Number: YCD480A4HD2B7ND1ACEFGH



EXTERIOR PANELS - REAR VIEW, CABINET "B" DOWNFLOW

Parts List Number: VOY30001#VOY3UP1

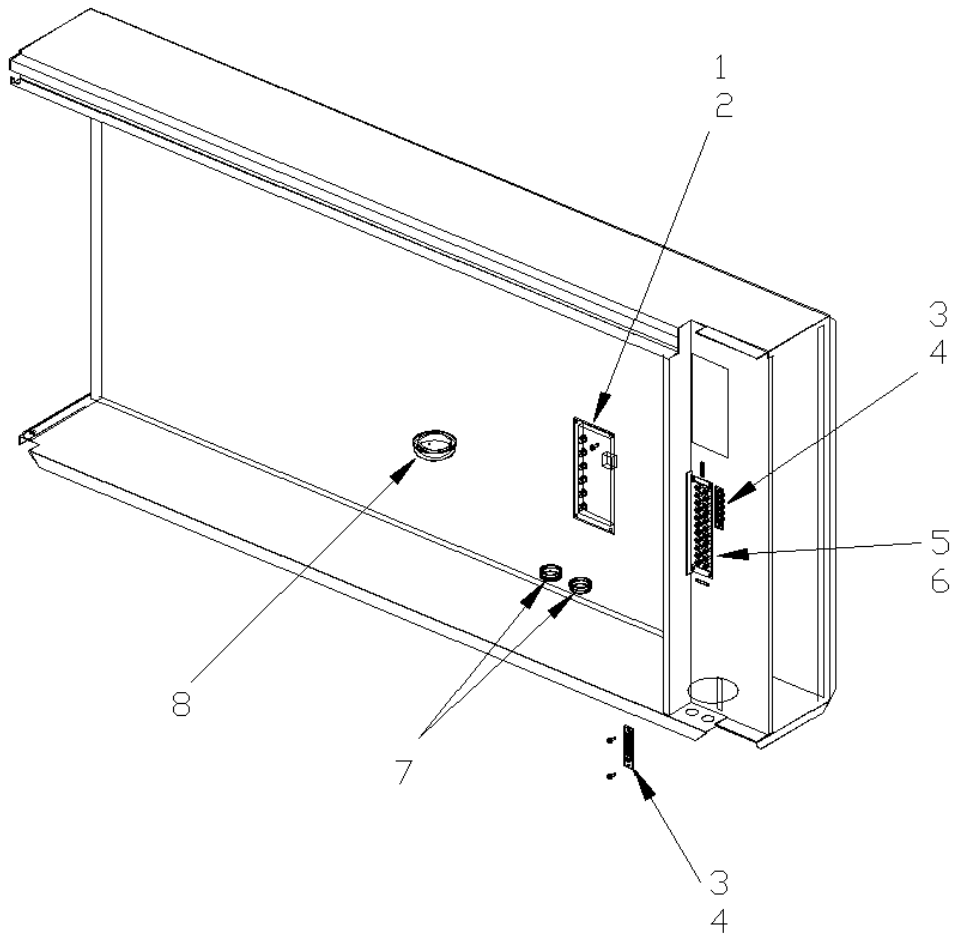
Model Number: YCD480A4HD2B7ND1ACEFGH

Part No.	Reference	Quantity	Description
BOF00982	1	1	BLOCKOFF; CONDENSER COIL TOP
BOF01083	3	1	BLOCKOFF; BACK HEAT SECTION
PNE03671	5	1	PANEL; ACCESS EVAP SECTION
PNE03671	7	1	PANEL; ACCESS EVAP SECTION
SUP02852	4	1	SUPPORT; CENTER PANEL REAR
SUP02855	2	1	SUPPORT; CENTER COND PANEL
SUP03160	8	1	SUPPORT,CORNER REAR LEFT
SUP03161	6	1	SUPPORT, REAR EVAP POST

Selected Assembly: 5d9669a1-c63c-4d40-8130-88661fad5d7d
CONTROL BOX - RESISTOR & TERMINALS
Parts List Number: VOY30001#VOY3UP1
Model Number: YCD480A4HD2B7ND1ACEFGH

CONTROL BOX - RESISTOR & TERMINALS 75002868

REV
A



CONTROL BOX - RESISTOR & TERMINALS

Parts List Number: VOY30001#VOY3UP1

Model Number: YCD480A4HD2B7ND1ACEFGH

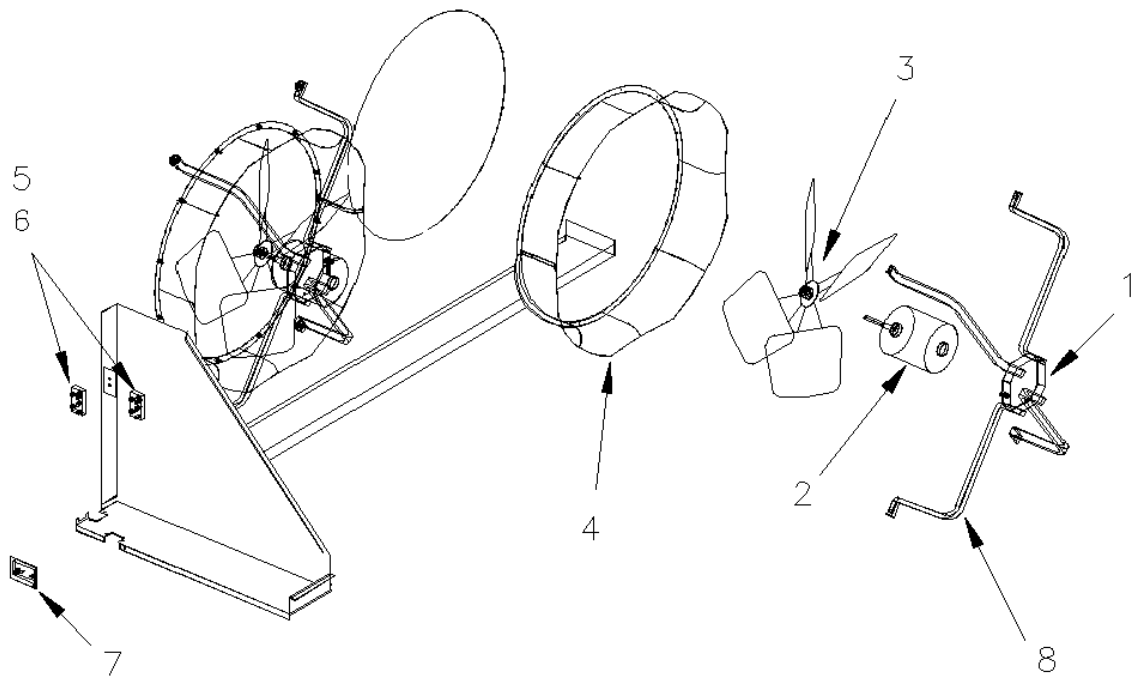
Part No.	Reference	Quantity	Description
BLK00496	5	1	BLOCK; 22-POLE TERMINAL
BLK00510	3	2	BLOCK; TERMINAL
BUS00339	7	2	BUSHING; SNAP, 0.63 INCH OD X 0.50 ID, MAX PANEL THICKNESS 0.125, BLACK NYLON
SCR00889	4	4	SCREW, 10-32 X .50
SCR00906	6	6	SCREW; 8-32 X .50

Selected Assembly: ba93717d-95c4-4e36-b460-2df3b2ebc4c9
POWER EXHAUST FAN - DOWNFLOW
Parts List Number: VOY30001#VOY3UP1
Model Number: YCD480A4HD2B7ND1ACEFGH

POWER EXHAUST FAN
DOWNFLOW

75002851

REV
A



POWER EXHAUST FAN - DOWNFLOW
Parts List Number: VOY30001#VOY3UP1
Model Number: YCD480A4HD2B7ND1ACEFGH

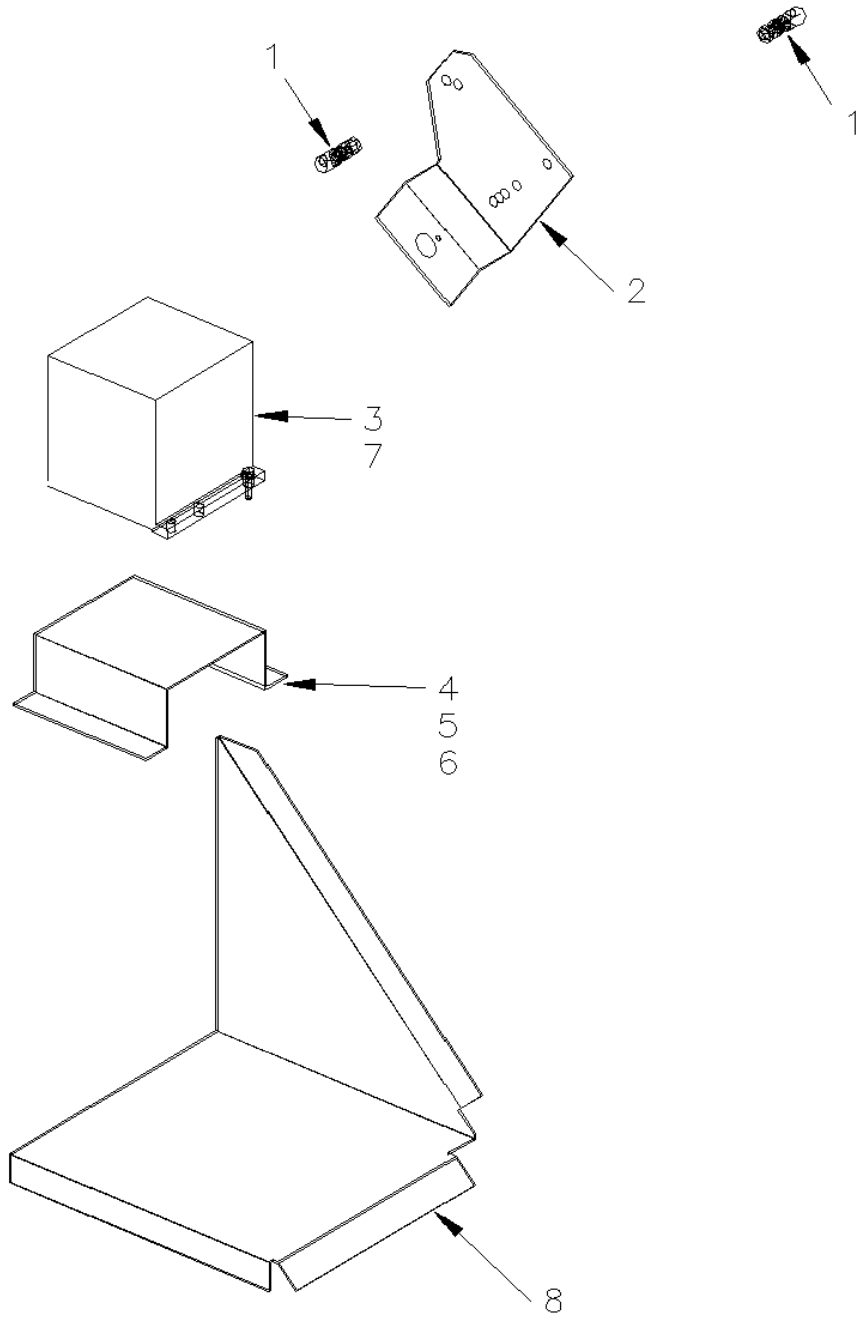
Part No.	Reference	Quantity	Description
BLK00474	5	2	BLOCK;TERMINAL, 5 POLE, 20A, 300V
BRK01972	8	4	BRACKET, MOTOR MTG ARM
BRK01973	1	2	BRACKET; MOTOR MOUNTING CENTER STRAP
FAN03842	3	2	FAN; PROPELLER, 26 INCH, 30 DEGREE PITCH, 3 BLADE, .50 BORE ALUMINUM BLADE WITH STEEL HUB
MOT06768	2	2	MOTOR; 1HP,460-380-415/60-50/1, 48 FRAME, 2 SPEED, BALL BEARING, 25 MFD@440V.
ORF00576	4	2	ORIFICE;CONDENSER FAN
PLU00439	6	4	PLUG; RUBBER
PTN00045	7	1	POTENTIOMETER; EXHAUST FAN

Selected Assembly: 31403e13-4117-4856-94c2-53f00cc7d727
ACTUATOR ASSEMBLY - DOWNFLOW
Parts List Number: VOY30001#VOY3UP1
Model Number: YCD480A4HD2B7ND1ACEFGH

ACTUATOR ASSEMBLY
DOWNFLOW

75002869

REV
A



ACTUATOR ASSEMBLY - DOWNFLOW
Parts List Number: VOY30001#VOY3UP1
Model Number: YCD480A4HD2B7ND1ACEFGH

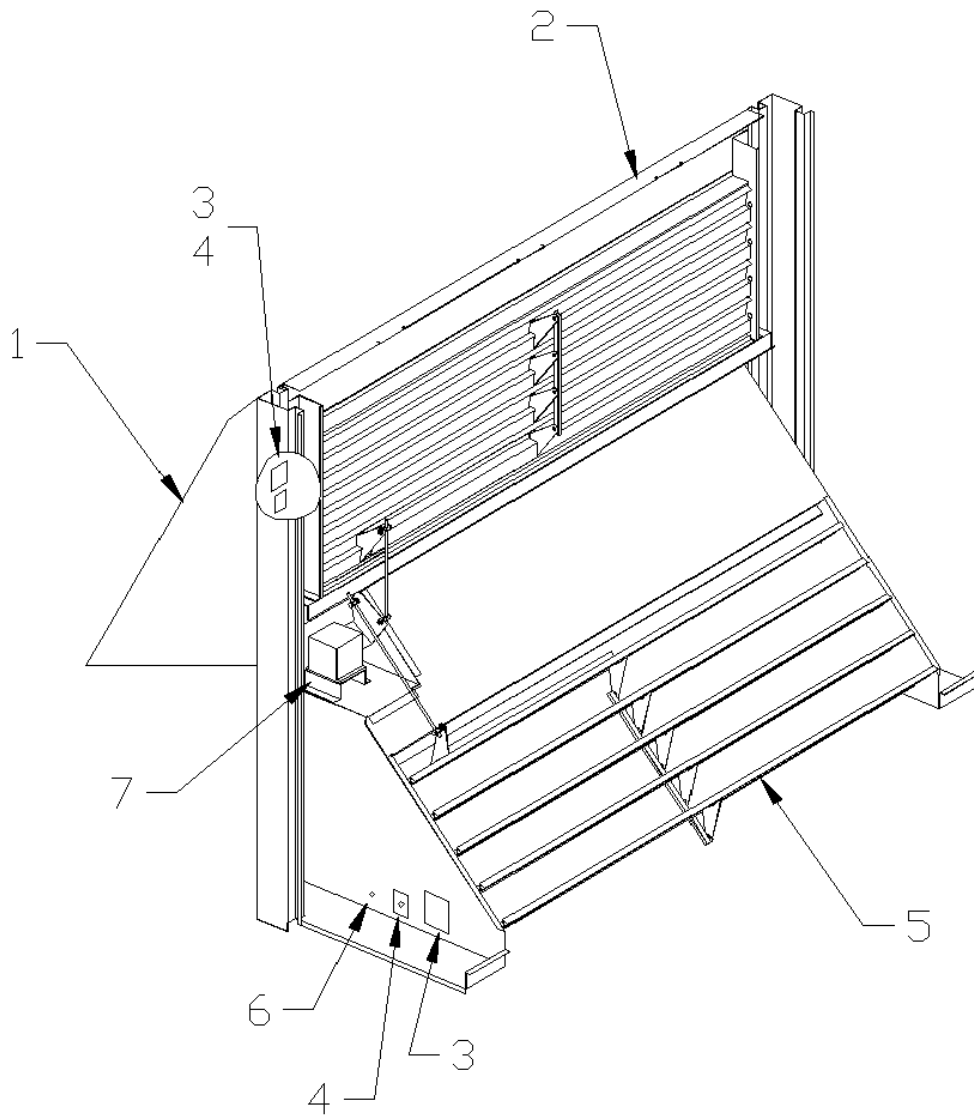
Part No.	Reference	Quantity	Description
BRG00755	1	4	BEARING; .25-.31 DIA RODBALL
BRK02280	2	1	BRACKET; ACTUATOR DRIVE
BRK02281	4	1	BRACKET; ACTUATOR, MOUNTING
NUT00004	5	4	NUT; 10-32, HEX LOCK
OPR00064	3	1	OPERATOR; DAMPER, SPRING RETURN, 24V, 90 DEG STROKE, CCW
SCR00516	7	4	SCREW; FLANGED, 10-32 X 3/4
SCR01557	6	4	SCREW; SHEET METAL 0.25-14 X 0.62, HEX HEAD, SLATE GRAY COLOR
WEL00097	8	1	WELL; ACTUATOR

Selected Assembly: 40adb46c-34ff-4646-9226-c486f1fe6006
ECONOMIZER ASSEMBLY - DOWNFLOW
Parts List Number: VOY30001#VOY3UP1
Model Number: YCD480A4HD2B7ND1ACEFGH

ECONOMIZER ASSEMBLY
DOWNFLOW

75002870

REV
A



ECONOMIZER ASSEMBLY - DOWNFLOW
Parts List Number: VOY30001#VOY3UP1
Model Number: YCD480A4HD2B7ND1ACEFGH

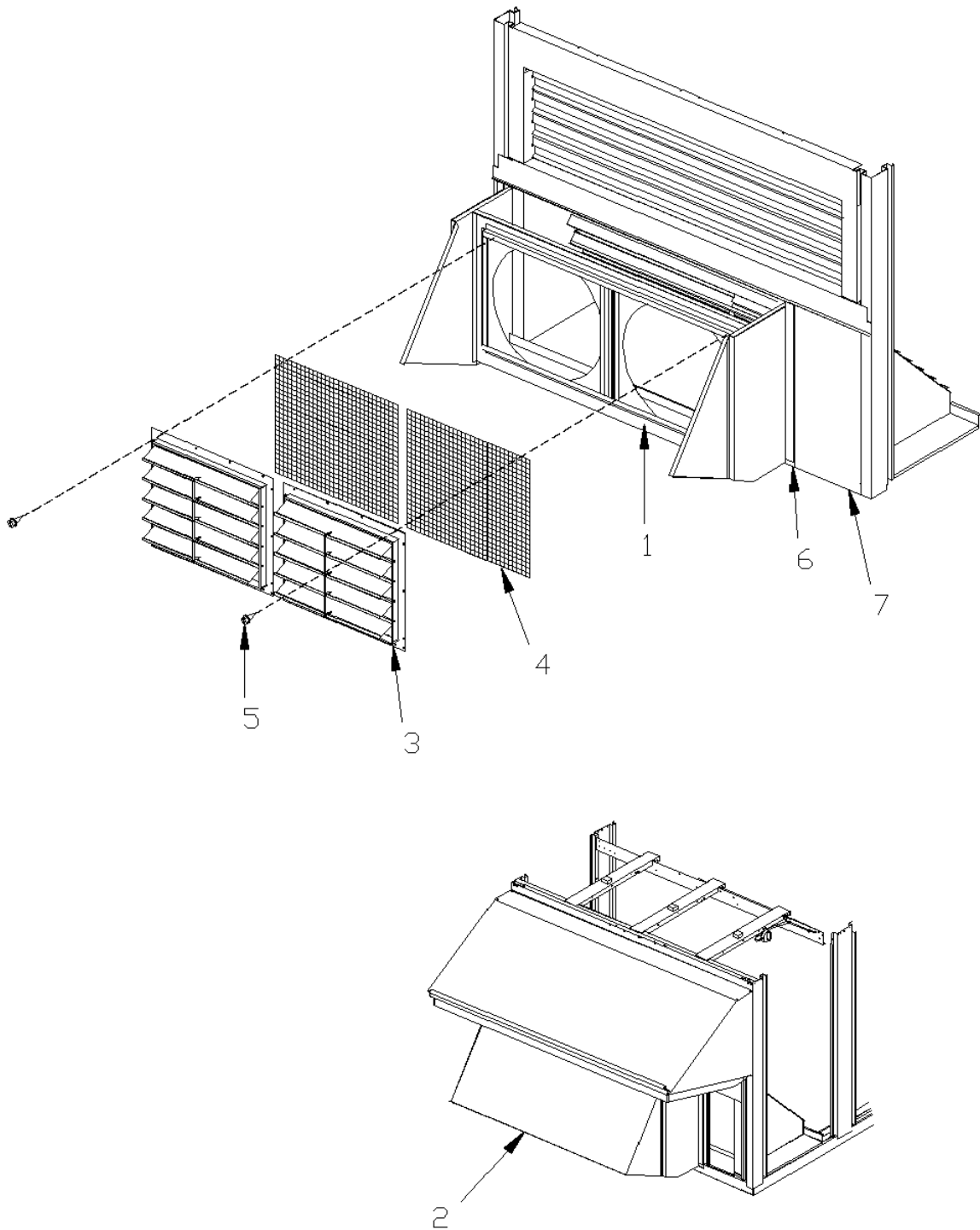
Part No.	Reference	Quantity	Description
BUS00178	4	1	BUSHING; SNAP, .88 MTG. W/.69 HOLE
DMP01266	2	1	DAMPER; ECONOMIZER F/A DOWNFLOW, W/O LOW LEAK
DMP01267	5	1	DAMPER; ECONOMIZER R/A DOWNFLOW
FLR01368	*	3	FILTER; MIST ELIM, 1.00 X 23.75 X 38.00
HOD00291	1	1	HOOD; ASSEMBLY
SEN00277	3	1	SENSOR; HUMIDITY, 32 DEG. F TO 125 DEG. F OPERATING TEMPERATURE

Selected Assembly: 7e7bc31b-ec9d-42b4-b7cb-f02f503219f6
BAROMETRIC DAMPER ASSEMBLY - DOWNFLOW
Parts List Number: VOY30001#VOY3UP1
Model Number: YCD480A4HD2B7ND1ACEFGH

BAROMETRIC RELIEF DAMPER
DOWNFLOW

75002882

REV
A



BAROMETRIC DAMPER ASSEMBLY - DOWNFLOW

Parts List Number: VOY30001#VOY3UP1

Model Number: YCD480A4HD2B7ND1ACEFGH

Part No.	Reference	Quantity	Description
DMP00252	3	2	DAMPER; EXHAUST, 26.00 X 22.00 LG
DMP01303	1	1	DAMPER, BAROMETRIC RELIEF DOWNFLOW
HOD00297	2	1	HOOD, BAROMETRIC RELIEF DOWNFLOW
PNE05902	7	1	PANEL, ACCESS
SCR01557	5	0	SCREW; SHEET METAL 0.25-14 X 0.62, HEX HEAD, SLATE GRAY COLOR
SRN00635	4	2	SCREEN; GALVANIZED WIRE CLOTH
SUP03181	6	1	SUPPORT, EXHAUST POWER