

Selected Assembly: root

Model Number: YCD075C4HABE

Selected Assembly: 89ac7823-c5ef-48a3-9179-2f8d1e1f26ea

YCDUP288A PARTS LIST

Parts List Number: YCD288A0#YCDUP288A

Model Number: YCD075C4HABE

YCDUP288A PARTS LIST

Parts List Number: YCD288A0#YCDUP288A

Model Number: YCD075C4HABE

Part No.	Reference	Quantity	Description
----------	-----------	----------	-------------

VOYAGER

75012144

REV.
A

OPTIONAL FIELD INSTALLED ACCESSORIES

ACCESSORY TYPE

ECON = Economizer	ISLT = Isolator
ASCT = Anti-Cycle Timer	KSKT = Start Accessory Kit
BARM = Barometric Relief	LEGS = Snow Legs
BASE = Base	LIFT = Roof Mount Kit
BURN = Burner	LOAM = Low Ambient
CTHI = Board-Convention Interface	LPKT = L.P. Kit
CURB = Roofcurb	MOTR = Low Ambient Motor Kit
CCHT = Crankcase Heater	NXKT = No Oxide Kit
DFSR = Air Diffuser	PLNM = Plenum
DMPR = SS Damper	PLUS = Plus One Kit
DNKT = Downflow Kit	PSMN = Power Supply Monitor Kit
FCCV = Flow Control Check Valve	PWRX = Power Exhaust
FLSW = Flow Switch	QACB = Quick Adapt Curb
FLTR = Filter	RLAY = Relay
FRST = High Temperature Sensor	SENS = Sensor
GARD = Coil Guard	SPEK = Single Source Power Entry
HALT = High Altitude Kit	STAT = Thermostat
HSDR = Optimized Sheave Accessory	STMT = Elapsed Time Meter
HSMT = Oversized Motor Kit or High Static Motor	TBKT = Thru Base Utility Kit
HTR = Electric Heater (Digit 7 is used to differentiate the products accessory is used with)	TEST = Test Accessory
ICSI = Board Communication Interface	TIME = ICS Interface Kit
	TXVA = Thermal Expansion Valve Kit
	TXVH = Thermal Expansion Valve Kit
	VDPR = Vent Damper
	WATR = Hot Water or Steam Coil
	2STG = 2 Stage Gas

**When identifying accessories please
refer to WAVE94591.**

OPTIONAL FIELD INSTALLED ACCESSORIES

Parts List Number: YCD288A0#YCDUP288A

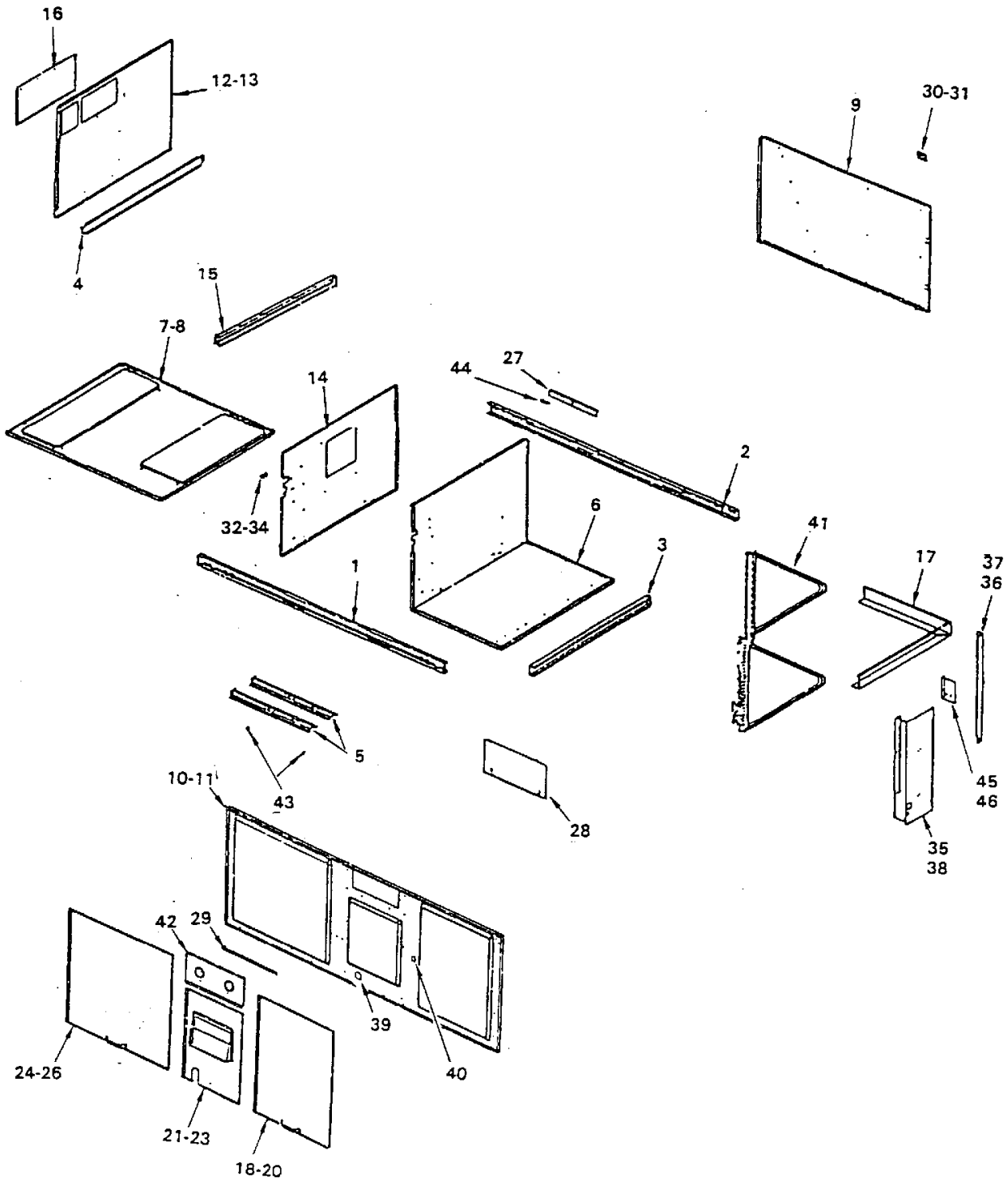
Model Number: YCD075C4HABE

Part No.	Reference	Quantity	Description
----------	-----------	----------	-------------

Selected Assembly: e2f011e7-8a5b-4cf8-9554-a17cff517849
GENERAL ASSEMBLY
Parts List Number: YCD288A0#YCDUP288A
Model Number: YCD075C4HABE

YCD9501

Section 1 - General Assembly



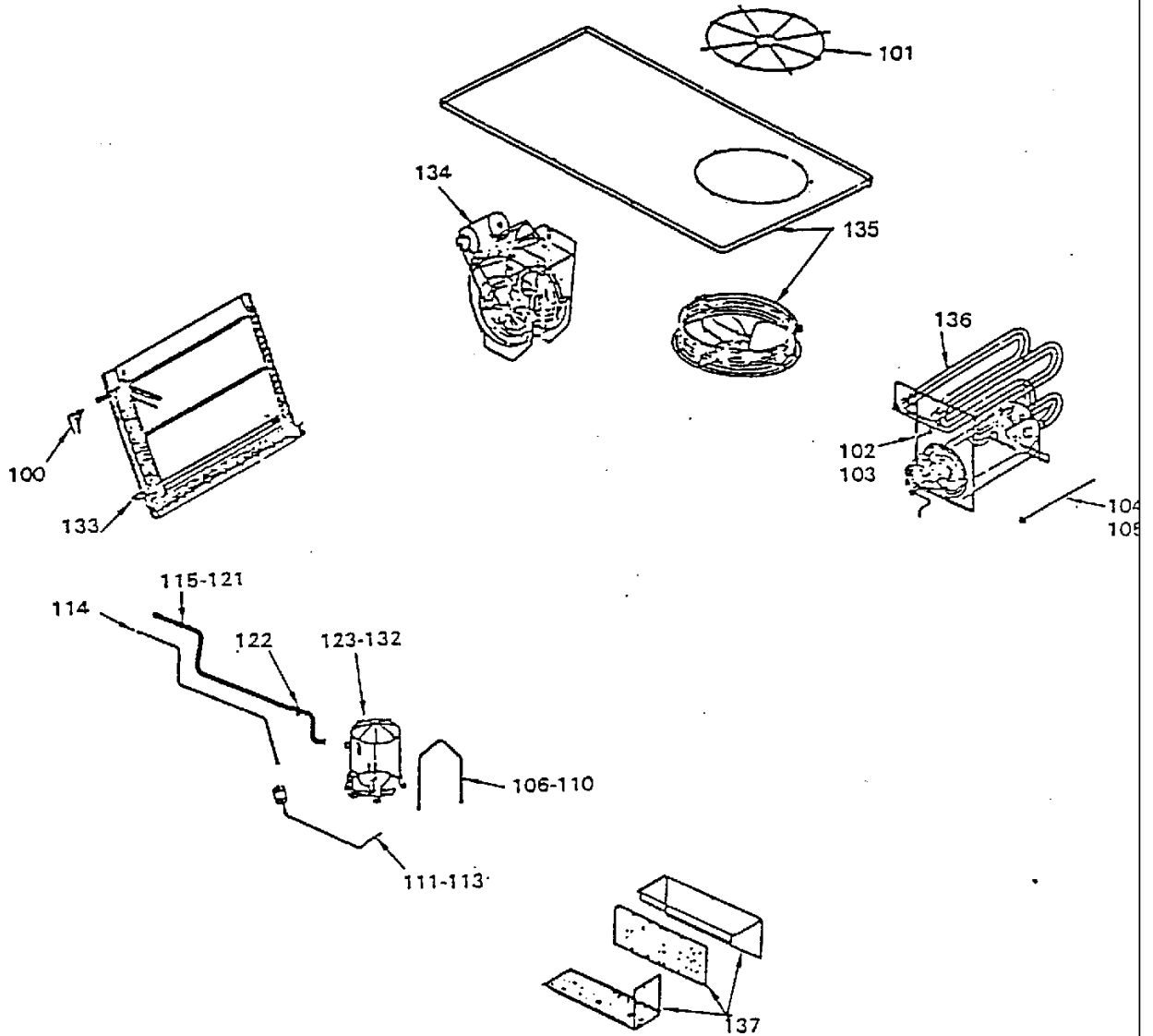
This is a typical illustration. The unit in the field may not appear exactly as shown.

GENERAL ASSEMBLY
Parts List Number: YCD288A0#YCDUP288A
Model Number: YCD075C4HABE

Part No.	Reference	Quantity	Description
BLK00288	32	1	BLOCK; TERMINAL, 3 POLE, 20 AMP, 300V
BLT00169	126	3	BOLT; .31-18 X 2.00
BOF00569	35	1	BLOCKOFF; PANEL, CONDENSER COIL
BOF00940	14	1	BLOCKOFF; HEATING ASSEMBLY
BRK01518	45	1	BRACKET;SENSOR
BUS00178	38	2	BUSHING; SNAP, .88 MTG. W/.69 HOLE
CAP00072	110	1	CAP; VALVE, SEAL, .25 FFL
CAP00072	119	1	CAP; VALVE, SEAL, .25 FFL
CMP00089	44	1	CLAMP; CONDUIT, RIGID, .50 NOM, 1 HOLE MTG, STL
CMP00128	43	2	CLAMP; TUBE, .20IN. DIA
CNL00341	1	1	CHANNEL;BASE RAIL FRONT
CNL00342	2	1	CHANNEL;BASE RAIL REAR
CNL00343	3	1	CHANNEL;BASE RAIL SUPPORT
CNT01015	103	1	CONTROL, LIMIT, 135 OPEN, 105 CLOSE
CNT01034	104	1	CONTROL;LIMIT, 160F, NC, SPST, 125VA, INCLUDES CAPILLARY TUBE.
CNT01313	*	1	CONTROL, TEMP, OPEN 135F, CLOSE 105F, SPST (BAYCOMM005)
CNT01629	122	1	CONTROL; LOW PRESSURE, 7 OPEN/22 CLOSE
COL06244	41	1	COIL;CONDENSER WELD ASM. COMPLETE
COM03759	123	1	COMPRESSOR: GP813-NN4-G*, 6.75 TON, 460/60/3, 380-415/50/3 (1.75-12 SUCTION 1.25-12 DISCHARGE)
COR00006	109	1	CORE; VALVE PORT, .79 LENGTH, .206-36 UNS 2A THD
COR00006	118	1	CORE; VALVE PORT, .79 LENGTH, .206-36 UNS 2A THD
COV01009	16	1	COVER; MANUAL FRESH AIR
COV01051	130	1	COVER;
COV01226	23	1	COVER; COMBUSTION INTAKE
DHY00146	113	1	DRIER; FILTER/LIQUID LINE TYPE 084S, 1/2 ODF (EK84S), R-410A COMPAT- IBLE
DHY00179	*	1	DRIER; FILTER/SUCTION LINE, TYPE 45S7, 7/8 IN. ODF CONN (ASD45S7VV)
FLR00854	100	3	FILTER; 16 X 25 X 1, (ONE CNT = 20 PCS)
GKT01647	131	1	GASKET; .06 THK X 1.50 DIA
GKT01648	132	1	GASKET; .06 THK X 1.00 OD
GKT01722	13	0	GASKET;.12 X .75 X 50FT ROLL
GKT01722	22	0	GASKET;.12 X .75 X 50FT ROLL
GKT01875	8	2	GASKET .12 X 9.50W X 360" RL
GKT02609	31	1	GASKET; .12T X 2.42 X 3.00
GRL00279	101	1	GRILLE; FAN, 25.50 DIA
GRM00039	46	1	GROMMET; RUBBER .25 ID X .05 GRV MLD
GRM00106	*	2	GROMMET; .88 ID X .05 GRV
GRM00108	129	1	GROMMET; 1.0 OD X .08 GRV
GRM00134	*	2	GROMMET;.43 ID X .05 GRV
GRM00135	*	2	GROMMET;.88 ID X .05 GRV
GRM00141	39	1	GROMMET; .78 ID X .05 - .12 GRV, 1/2 IPS, MOLDED VINYL
HTR01614	124	1	HEATER; CRANKCASE, 67W, 460V

INS00573	102	1	INSULATION; .03 THK, FISH PAPER
INS00785	121	1	INSULATION; 1.12 ID X .38W X 6FT. LG
INS01663	33	1	INSULATION; .03 THK PAPER
IRT00017	11	4	INSERT; BUMPER-STOP, 0.468 OD X 0.81 LG, BLACK RUBBER
KNB00059	19	1	KNOB, DOOR
KNB00059	25	1	KNOB, DOOR
MNT00479	128	3	MOUNT; VIBRATION ISOLATOR, COMPRESSOR
PAI00077	*	0	PAINT; SLATE GREY (SHIPPING UOM 1 GAL HAZ)
PAI00086	*	0	PAINT; SPRAY, SLATE GREY, MID GLOSS(60) (SHIPPING UOM 12 OZ HAZ)
PLT01631	30	1	PLATE; DRAIN TUBE SEAL ASSEMBLY
PLU00349	40	1	PLUG; 1.38 DIA HOLE, .12 THK PANEL, MOLDED PLASTIC
PLU00439	34	1	PLUG; RUBBER
PNL09611	10	1	PANEL; FRONT, ASSEMBLY
PNL09612	12	1	PANEL; ECONOMIZER
PNL09613	18	1	PANEL; COMPRESSOR ACCESS
PNL09615	24	1	PANEL;EVAPORATOR SECTION ACCESS
PNN00768	7	1	PANEL;EVAPORATOR BASEPAN ASSEMBLY
PNN03255	28	1	PANEL;DEAD FRONT CONTROL PANEL ASSEMBLY
PNN03325	6	1	PANEL;CONDENSER BASEPAN ASSEMBLY
PNN03326	9	1	PANEL; REAR, ASSEMBLY
PNN05799	42	1	PANEL;GAS HEAT UPPER COVER ASSEMBLY
PNN05800	21	1	PANEL;ACCESS HEAT SECTION ASSEMBLY INCLUDES COV1226 LAXUS
RAL00101	5	2	RAIL;BASE COMPRESSOR
RIV00056	20	2	RIVET;.25 DIA X .31 LG
RIV00056	26	2	RIVET;.25 DIA X .31 LG
SCR01074	37	8	SCREW; SHT METAL, 10-16 X .50, HEX WASHER HD
SHD00232	29	1	SHIELD;DRIP, GAS HEAT ASSEMBLY
SLV00092	120	1	SLEEVE, TIN PLATED STL, 1.12 TUBE
SPC00181	127	3	SPACER, .34 ID X .44 OD X .50
SPC00323	105	2	SPACER; .194 ID X .312 LG, .375 OD
SUP00914	4	1	SUPPORT;EVAPORATOR BASE
SUP00917	36	1	SUPPORT; CORNER POST
SUP02076	17	1	SUPPORT; SPACER TOP CONDENSER COIL
SUP02085	15	1	SUPPORT;CHANNEL, EVAPORATOR FAN
SUP02776	27	1	SUPPORT, GAS VALVE
TUB07019	112	1	TUBE; LIQUID CONDENSER COIL TO DRIER
TUB07022	114	1	TUBE; EVAPORATOR LIQUID LINE
TUB07026	115	1	TUBE; SUCTION LINE ASSEMBLY
TUB07027	111	1	TUBE; LIQUID CONDENSER COIL TO DRIER ASSEMBLY
TUB07028	106	1	TUBE; DISCHARGE ASSEMBLY
TUB07029	116	1	TUBE; SUCTION LINE
TUB07030	107	1	TUBE; DISCHARGE
VAL01483	108	1	VALVE; BODY, .44-20 THD X .25 ODS, STRAIGHT, BRASS, LESS CORE
VAL01483	117	1	VALVE; BODY, .44-20 THD X .25 ODS, STRAIGHT, BRASS, LESS CORE

Section 1 - General Assembly



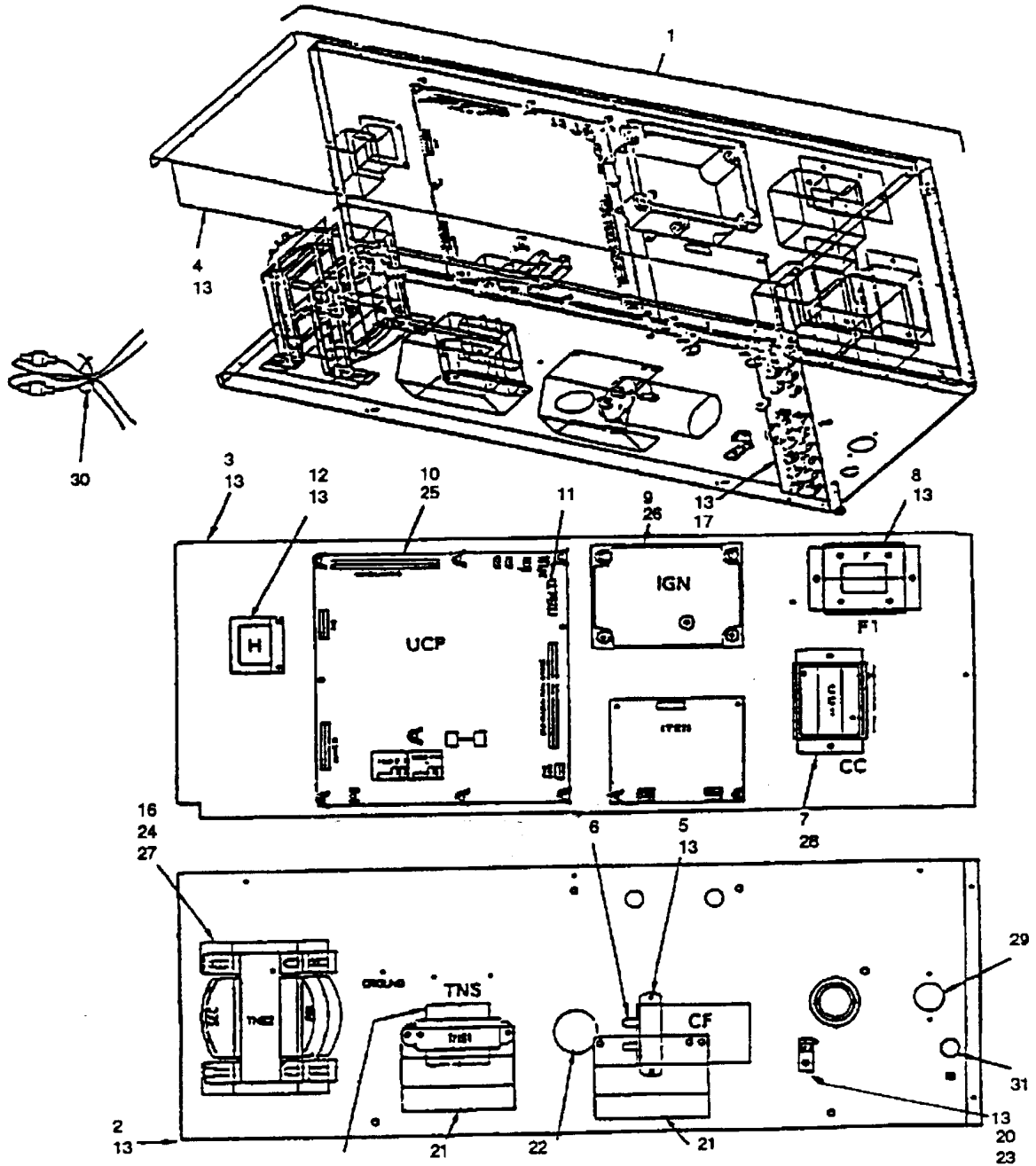
This is a typical illustration. The unit in the field may not appear exactly as shown.

GENERAL ASSEMBLY
Parts List Number: YCD288A0#YCDUP288A
Model Number: YCD075C4HABE

Part No.	Reference	Quantity	Description
BLK00288	32	1	BLOCK; TERMINAL, 3 POLE, 20 AMP, 300V
BLT00169	126	3	BOLT; .31-18 X 2.00
BOF00569	35	1	BLOCKOFF; PANEL, CONDENSER COIL
BOF00940	14	1	BLOCKOFF; HEATING ASSEMBLY
BRK01518	45	1	BRACKET;SENSOR
BUS00178	38	2	BUSHING; SNAP, .88 MTG. W/.69 HOLE
CAP00072	110	1	CAP; VALVE, SEAL, .25 FFL
CAP00072	119	1	CAP; VALVE, SEAL, .25 FFL
CMP00089	44	1	CLAMP; CONDUIT, RIGID, .50 NOM, 1 HOLE MTG, STL
CMP00128	43	2	CLAMP; TUBE, .20IN. DIA
CNL00341	1	1	CHANNEL;BASE RAIL FRONT
CNL00342	2	1	CHANNEL;BASE RAIL REAR
CNL00343	3	1	CHANNEL;BASE RAIL SUPPORT
CNT01015	103	1	CONTROL, LIMIT, 135 OPEN, 105 CLOSE
CNT01034	104	1	CONTROL;LIMIT, 160F, NC, SPST, 125VA, INCLUDES CAPILLARY TUBE.
CNT01313	*	1	CONTROL, TEMP, OPEN 135F, CLOSE 105F, SPST (BAYCOMM005)
CNT01629	122	1	CONTROL; LOW PRESSURE, 7 OPEN/22 CLOSE
COL06244	41	1	COIL;CONDENSER WELD ASM. COMPLETE
COM03759	123	1	COMPRESSOR: GP813-NN4-G*, 6.75 TON, 460/60/3, 380-415/50/3 (1.75-12 SUCTION 1.25-12 DISCHARGE)
COR00006	109	1	CORE; VALVE PORT, .79 LENGTH, .206-36 UNS 2A THD
COR00006	118	1	CORE; VALVE PORT, .79 LENGTH, .206-36 UNS 2A THD
COV01009	16	1	COVER; MANUAL FRESH AIR
COV01051	130	1	COVER;
COV01226	23	1	COVER; COMBUSTION INTAKE
DHY00146	113	1	DRIER; FILTER/LIQUID LINE TYPE 084S, 1/2 ODF (EK84S), R-410A COMPAT- IBLE
DHY00179	*	1	DRIER; FILTER/SUCTION LINE, TYPE 45S7, 7/8 IN. ODF CONN (ASD45S7VV)
FLR00854	100	3	FILTER; 16 X 25 X 1, (ONE CNT = 20 PCS)
GKT01647	131	1	GASKET; .06 THK X 1.50 DIA
GKT01648	132	1	GASKET; .06 THK X 1.00 OD
GKT01722	13	0	GASKET;.12 X .75 X 50FT ROLL
GKT01722	22	0	GASKET;.12 X .75 X 50FT ROLL
GKT01875	8	2	GASKET .12 X 9.50W X 360" RL
GKT02609	31	1	GASKET; .12T X 2.42 X 3.00
GRL00279	101	1	GRILLE; FAN, 25.50 DIA
GRM00039	46	1	GROMMET; RUBBER .25 ID X .05 GRV MLD
GRM00106	*	2	GROMMET; .88 ID X .05 GRV
GRM00108	129	1	GROMMET; 1.0 OD X .08 GRV
GRM00134	*	2	GROMMET;.43 ID X .05 GRV
GRM00135	*	2	GROMMET;.88 ID X .05 GRV
GRM00141	39	1	GROMMET; .78 ID X .05 - .12 GRV, 1/2 IPS, MOLDED VINYL
HTR01614	124	1	HEATER; CRANKCASE, 67W, 460V

INS00573	102	1	INSULATION; .03 THK, FISH PAPER
INS00785	121	1	INSULATION; 1.12 ID X .38W X 6FT. LG
INS01663	33	1	INSULATION; .03 THK PAPER
IRT00017	11	4	INSERT; BUMPER-STOP, 0.468 OD X 0.81 LG, BLACK RUBBER
KNB00059	19	1	KNOB, DOOR
KNB00059	25	1	KNOB, DOOR
MNT00479	128	3	MOUNT; VIBRATION ISOLATOR, COMPRESSOR
PAI00077	*	0	PAINT; SLATE GREY (SHIPPING UOM 1 GAL HAZ)
PAI00086	*	0	PAINT; SPRAY, SLATE GREY, MID GLOSS(60) (SHIPPING UOM 12 OZ HAZ)
PLT01631	30	1	PLATE; DRAIN TUBE SEAL ASSEMBLY
PLU00349	40	1	PLUG; 1.38 DIA HOLE, .12 THK PANEL, MOLDED PLASTIC
PLU00439	34	1	PLUG; RUBBER
PNL09611	10	1	PANEL; FRONT, ASSEMBLY
PNL09612	12	1	PANEL; ECONOMIZER
PNL09613	18	1	PANEL; COMPRESSOR ACCESS
PNL09615	24	1	PANEL;EVAPORATOR SECTION ACCESS
PNN00768	7	1	PANEL;EVAPORATOR BASEPAN ASSEMBLY
PNN03255	28	1	PANEL;DEAD FRONT CONTROL PANEL ASSEMBLY
PNN03325	6	1	PANEL;CONDENSER BASEPAN ASSEMBLY
PNN03326	9	1	PANEL; REAR, ASSEMBLY
PNN05799	42	1	PANEL;GAS HEAT UPPER COVER ASSEMBLY
PNN05800	21	1	PANEL;ACCESS HEAT SECTION ASSEMBLY INCLUDES COV1226 LAXUS
RAL00101	5	2	RAIL;BASE COMPRESSOR
RIV00056	20	2	RIVET;.25 DIA X .31 LG
RIV00056	26	2	RIVET;.25 DIA X .31 LG
SCR01074	37	8	SCREW; SHT METAL, 10-16 X .50, HEX WASHER HD
SHD00232	29	1	SHIELD;DRIP, GAS HEAT ASSEMBLY
SLV00092	120	1	SLEEVE, TIN PLATED STL, 1.12 TUBE
SPC00181	127	3	SPACER, .34 ID X .44 OD X .50
SPC00323	105	2	SPACER; .194 ID X .312 LG, .375 OD
SUP00914	4	1	SUPPORT;EVAPORATOR BASE
SUP00917	36	1	SUPPORT; CORNER POST
SUP02076	17	1	SUPPORT; SPACER TOP CONDENSER COIL
SUP02085	15	1	SUPPORT;CHANNEL, EVAPORATOR FAN
SUP02776	27	1	SUPPORT, GAS VALVE
TUB07019	112	1	TUBE; LIQUID CONDENSER COIL TO DRIER
TUB07022	114	1	TUBE; EVAPORATOR LIQUID LINE
TUB07026	115	1	TUBE; SUCTION LINE ASSEMBLY
TUB07027	111	1	TUBE; LIQUID CONDENSER COIL TO DRIER ASSEMBLY
TUB07028	106	1	TUBE; DISCHARGE ASSEMBLY
TUB07029	116	1	TUBE; SUCTION LINE
TUB07030	107	1	TUBE; DISCHARGE
VAL01483	108	1	VALVE; BODY, .44-20 THD X .25 ODS, STRAIGHT, BRASS, LESS CORE
VAL01483	117	1	VALVE; BODY, .44-20 THD X .25 ODS, STRAIGHT, BRASS, LESS CORE

Selected Assembly: fb2ee7e0-0551-4428-a7be-46c3a7230f29
CONTROL PANEL ASSEMBLY
Parts List Number: YCD288A0#YCDUP288A
Model Number: YCD075C4HABE



LEGEND	
CC	Compressor Contactor
CF	Fan Motor Capacitor
DFM	Defrost Module
F	Evaporator Fan Relay
FU	Fuse
HTB	High Voltage Terminal Block
ODF	Condenser Fan Relay
TCI	Trane Communications Interface
TNS	Transformer
UCP	Unitary Control Processor

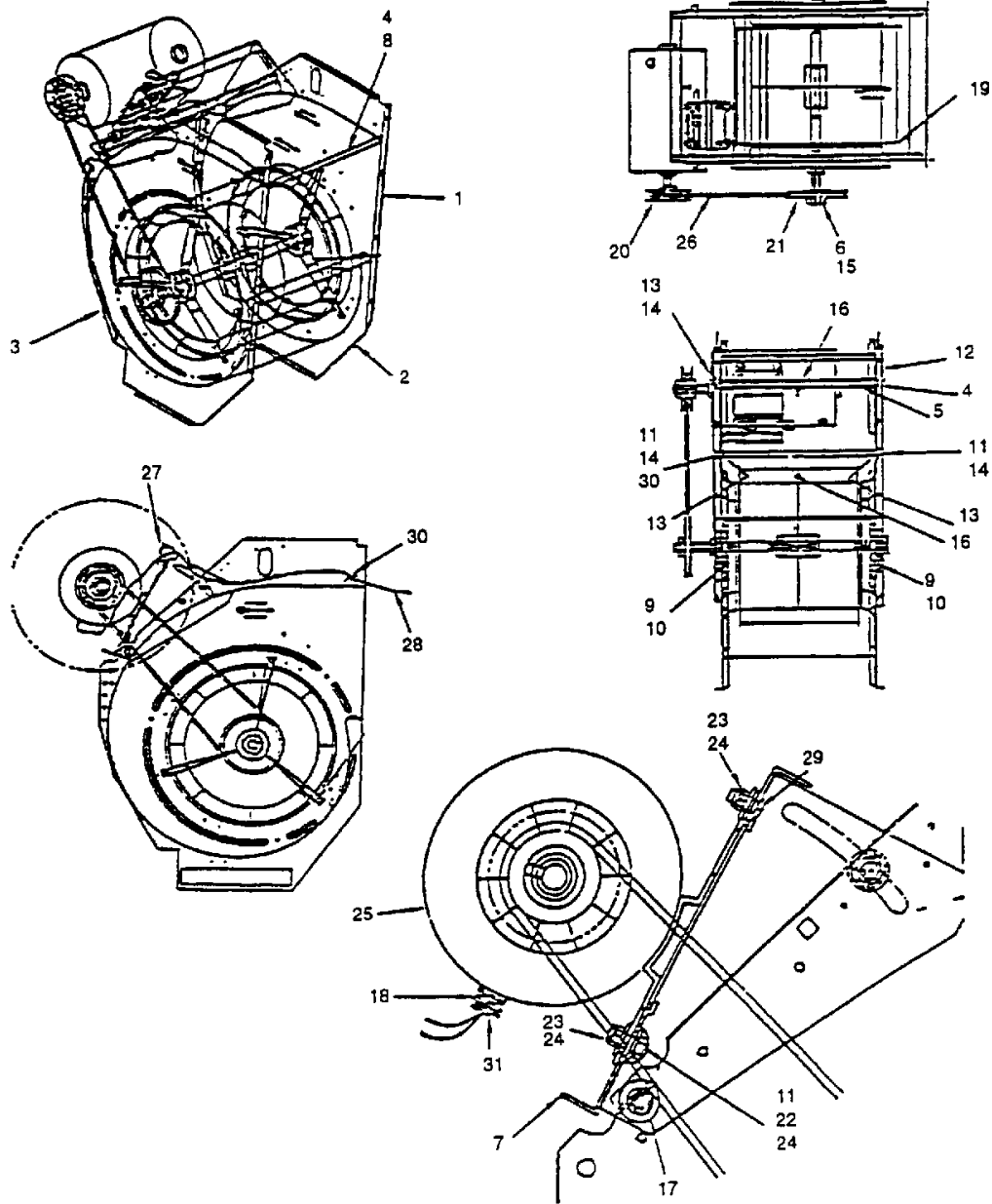
This is a typical illustration. The unit in the field may not appear exactly as shown.

CONTROL PANEL ASSEMBLY
Parts List Number: YCD288A0#YCDUP288A
Model Number: YCD075C4HABE

Part No.	Reference	Quantity	Description
BLK00496	*	1	BLOCK; 22-POLE TERMINAL
BRK00348	5	1	BRACKET;CAPACITOR STRAP
BUS00178	31	1	BUSHING; SNAP, .88 MTG. W/.69 HOLE
BUS00269	22	1	BUSHING; 1.31 ID X .45 LG SNAP BUSHING
CNT02062	9	1	CONTROL, IGNITION MODULE, GAS
CON00070	20	1	CONNECTOR; WIRE JOINT,4-#18/2-#12 WIRES,INSULATED,CLOSED END
CPN01541	1	1	CONTROL PANEL; ASM.
CPT00203	6	1	CAPACITOR; RUN, 7.5 MFD, 440V OVAL, W/O RESISTOR
CTR00522	7	1	CONTACTOR; 30 AMP, 24V COIL, 3 POLE
CTR00550	8	1	CONTACTOR; 20 AMP, 2 POLE, 24V COIL
FUS00853	11	1	FUSE, TIME DELAY, DUAL ELEMENT, 32 VOLT, MDL-4
INS01631	21	2	INSULATION; .03 THICK FISCH PAPER
MOD00304	10	1	MODULE, UNITARY CONTROL PROCESSOR
PLU00362	29	1	PLUG;
PNN03274	2	1	PANEL;CONTROL BOX WRAPPER
PNN08107	3	1	PANEL, CONTROL BOX, MOUNTING
PNN08108	4	1	PANEL, CONTROL BOX, BACK PANEL
RLY00969	12	1	RELAY; POWER DUTY, SWITCHING, DPDT, 6A AT 240V, 24V COIL
SCR00889	28	5	SCREW, 10-32 X .50
SCR00906	13	22	SCREW; 8-32 X .50
SCR00907	27	3	SCREW; .25-20 X .50
SCR00909	25	2	SCREW, 6-32 X .75
SCR01072	26	2	SCREW;8-32 X 1.00
TER00311	30	2	TERMINAL; 4 1/2IN. TIE CABLE
TRR00574	15	1	TRANSFORMER; 50 VA, 460-575V PRI.,24V SEC.
TRR00664	16	1	TRANSFORMER; 350 VA, 460-575V PRI., 115-230V SEC.
TRR01017	*	1	TRANSFORMER; 20VA, 460/575V PRI, 24V SEC
WAS00456	24	4	WASHER;LOCK,.25 ID X .49 OD
WAS00611	23	4	WASHER;LOCK, .19 ID X .39 OD
WIR02328	17	1	WIRE; HARNESS, CONTROL PANEL

Section 3 - Evaporator Fan Assembly

YCD101I3



This is a typical illustration. The unit in the field may not appear exactly as shown.

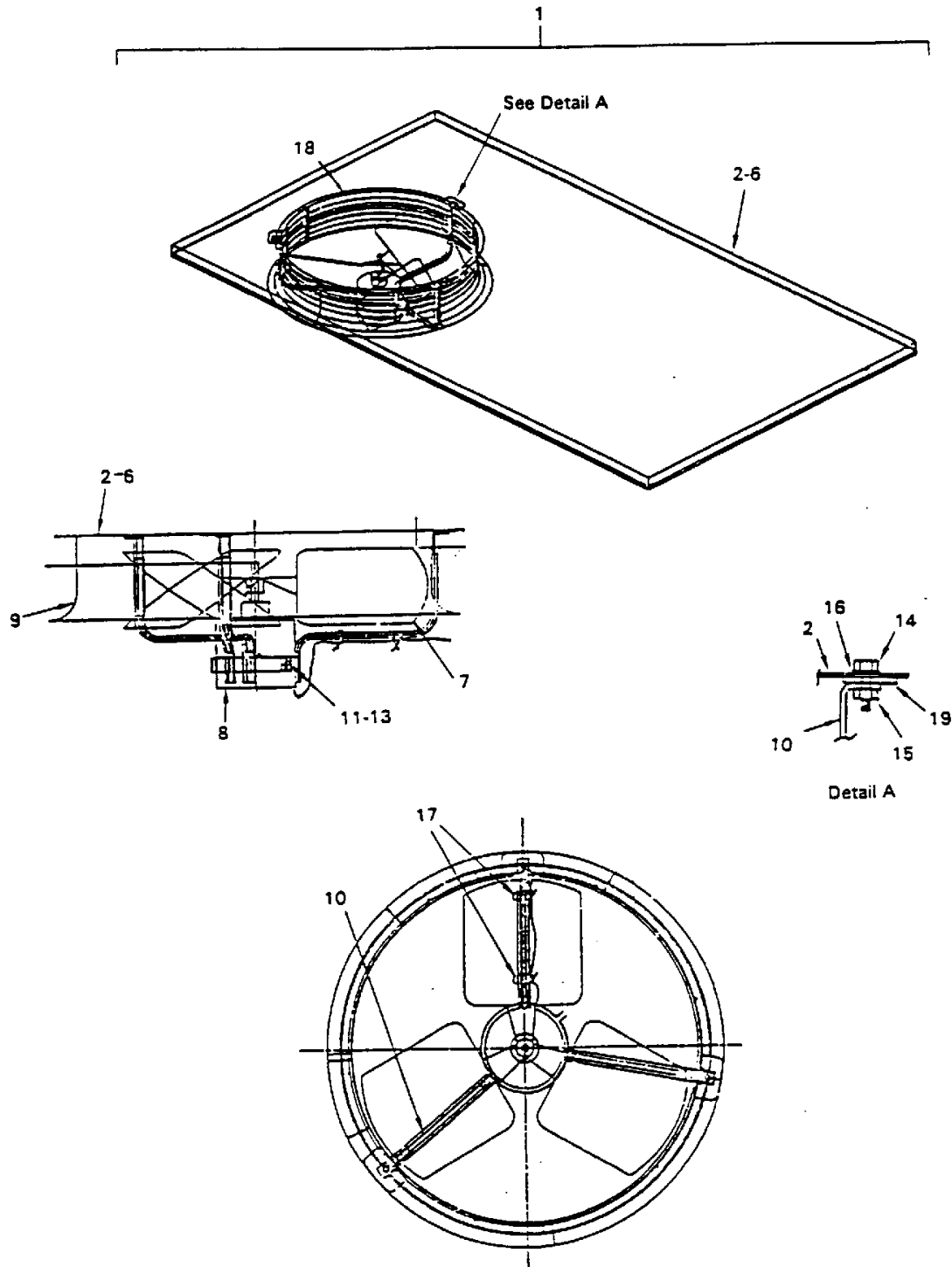
EVAPORATOR FAN ASSEMBLY
 Parts List Number: YCD288A0#YCDUP288A
 Model Number: YCD075C4HABE

Part No.	Reference	Quantity	Description
B00378	26	1	BELT;V, A44, 46.2 OD X 45.3 PITCH
BLT00170	12	1	BOLT; .38-16 X 13.0
BLT00171	29	2	BOLT;
BRG00654	9	2	BEARING, RUBBER CUSHIONED, .75 BORE, PERMANENTLY LUBED, SET SCREW LOCKING DEVICE
BRK00742	7	1	BRACKET;MOTOR MOUNT
BRK00743	10	6	BRACKET;BEARING ARM
BUS00485	16	2	BUSHING; .62 MTG W/MAX .44 ID
COF00025	4	1	CUTOFF;SCROLL, 12 X 9 EVAPORATOR FAN
GRP00027	18	1	GRIP; CABLE
HUS01662	1	1	HOUSING; FAN ASSEMBLY, BELT DRIVE, HOUSING, BEARINGS, BEARING BRACKETS, WHEEL, SHAFT AND MOTOR MOUNT.
MOT02913	25	1	MOTOR; 1 HP, 208-230/460/60/3, 1725 RPM, 56 FRAME, CCW BALL BEARING, 3.8-4.2/2.1 FLA, 32.2 LRA
NUT00079	13	3	NUT; .38-16
NUT00248	23	4	NUT; LOCK, .31-18
PNN03266	2	1	PANEL;INDOOR FAN SIDE, BACK, DIRECT DRIVE
PNN03335	3	1	PANEL;EVAPORATOR FAN, SIDE FRONT
SCR00062	15	2	SCREW, HEX CAP .38-16 X .75
SCR00724	22	2	SCREW; CAP-HEX HD, .31-18 X .75, GR 5, ZINC PLD W/CNVRSION CTG .75 THD LG
SCR01074	8	24	SCREW; SHT METAL, 10-16 X .50, HEX WASHER HD
SHE00867	20	1	SHEAVE; 1VL34, 5/8 INCH BORE
SHE00868	21	1	SHEAVE; AL54, 3/4IN. BORE
SHF01308	6	1	SHAFT; 17 IN. LONG X 3/4 IN. DIAMETER
SLV00063	31	1	SLEEVE; .50 NOM, CONDUIT
SPC00182	5	1	SPACER;
SPC00183	11	1	SPACER;
SPC00184	17	2	SPACER;
TER00311	30	1	TERMINAL; 4 1/2IN. TIE CABLE
TER00312	27	1	TERMINAL; 8IN. TIE CABLE
WAS00011	24	6	WASHER; 0.375 ID X .875 OD X .083 THK
WAS00283	14	3	WASHER; PLAIN, .43 ID X 1.00 OD, .083 THK, CARBON-STL PLD
WHL00526	19	1	WHEEL;FAN, NOR.12IN.D X9IN.W X3/4IN.BORE
WIR01615	28	1	WIRE; #14 GAUGE,60IN.LONG, 105 DEGREE C

Selected Assembly: 518c0f73-ec93-47a1-8a6f-dcbdfad412f8
CONDENSER FAN AND ORIFICE ASSEMBLY
Parts List Number: YCD288A0#YCDUP288A
Model Number: YCD075C4HABE

YCD9504

Section 4 - Condenser Fan & Orifice Assembly



This is a typical illustration. The unit in the field may not appear exactly as shown.

CONDENSER FAN AND ORIFICE ASSEMBLY

Parts List Number: YCD288A0#YCDUP288A

Model Number: YCD075C4HABE

Part No.	Reference	Quantity	Description
----------	-----------	----------	-------------

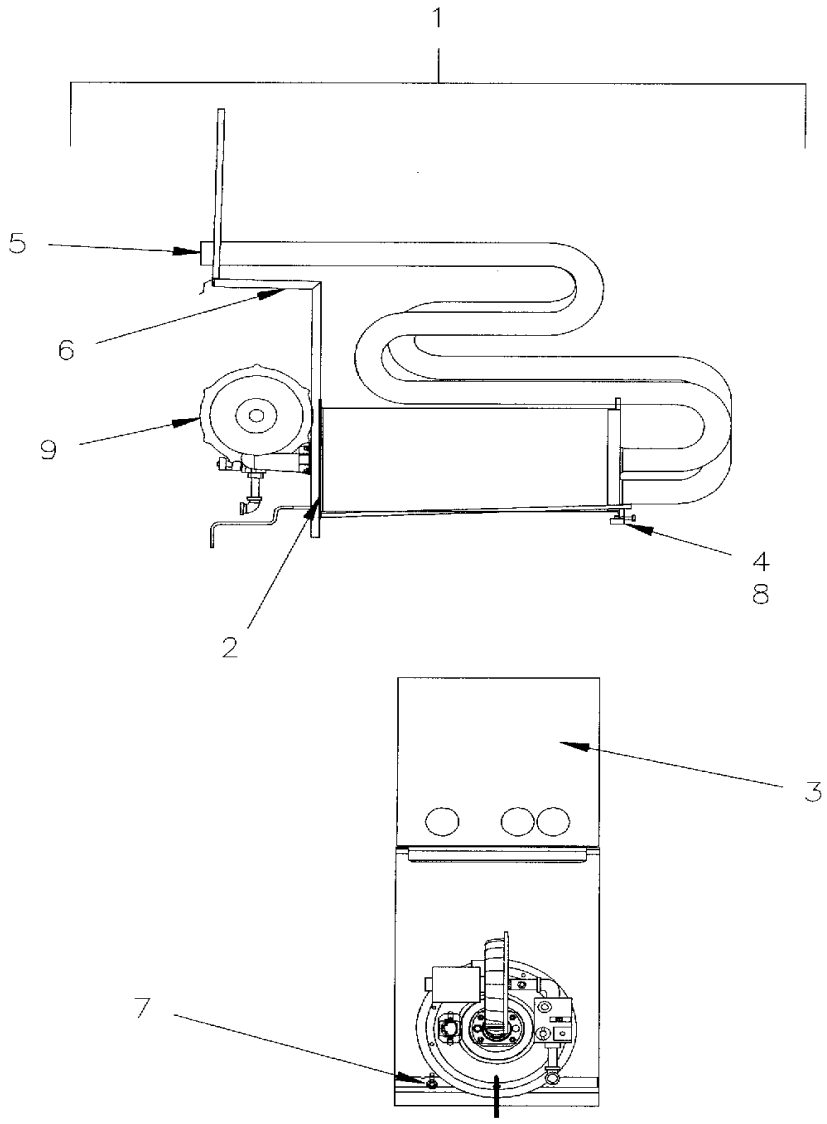
Selected Assembly: 6dcd03fb-e674-4784-ae87-5c361a28b381
HEAT EXCHANGER ASSEMBLY
Parts List Number: YCD288A0#YCDUP288A
Model Number: YCD075C4HABE

Heat Exchanger

75003810

REV
A

Typical Illustration. Unit may not appear exactly as shown.



HEAT EXCHANGER ASSEMBLY

Parts List Number: YCD288A0#YCDUP288A

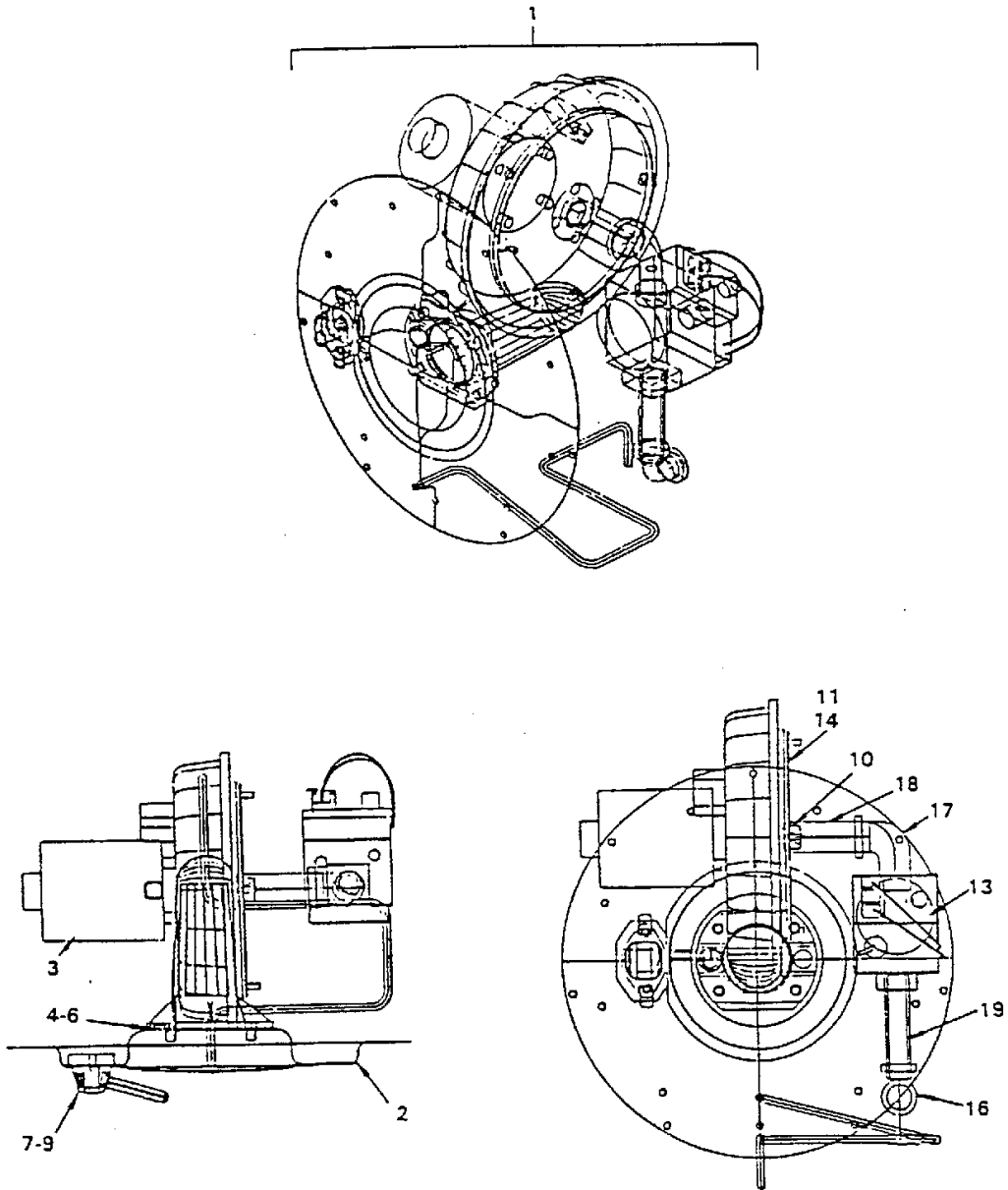
Model Number: YCD075C4HABE

Part No.	Reference	Quantity	Description
EXC01306	1	1	EXCHANGER; GAS HEAT ASSEMBLY, 205 MBH, INCLUDES INDUCER BLOWER ASSY.
GKT01572	2	1	GASKET; REINFORCED FIBERGLASS
PLT01289	3	1	PLATE; EXHAUST, 205 MBH
PNN00772	6	1	PANEL; GAS VESTIBULE ASSEMBLY
SCR01074	4	22	SCREW; SHT METAL, 10-16 X .50, HEX WASHER HD
SUP01324	8	1	SUPPORT; DRUM, 205 MBH
TRB00024	5	4	TURBULATOR;
TUB03756	7	1	TUBE; TEMPERATURE PROBE

Selected Assembly: aee3e66f-e9e4-46c0-b391-266964425301
BURNER PLATE ASSEMBLY
Parts List Number: YCD288A0#YCDUP288A
Model Number: YCD075C4HABE

Section 6 - Burner Plate Assembly Illustration

YCD9506



This is a typical illustration. The unit in the field may not appear exactly as shown.

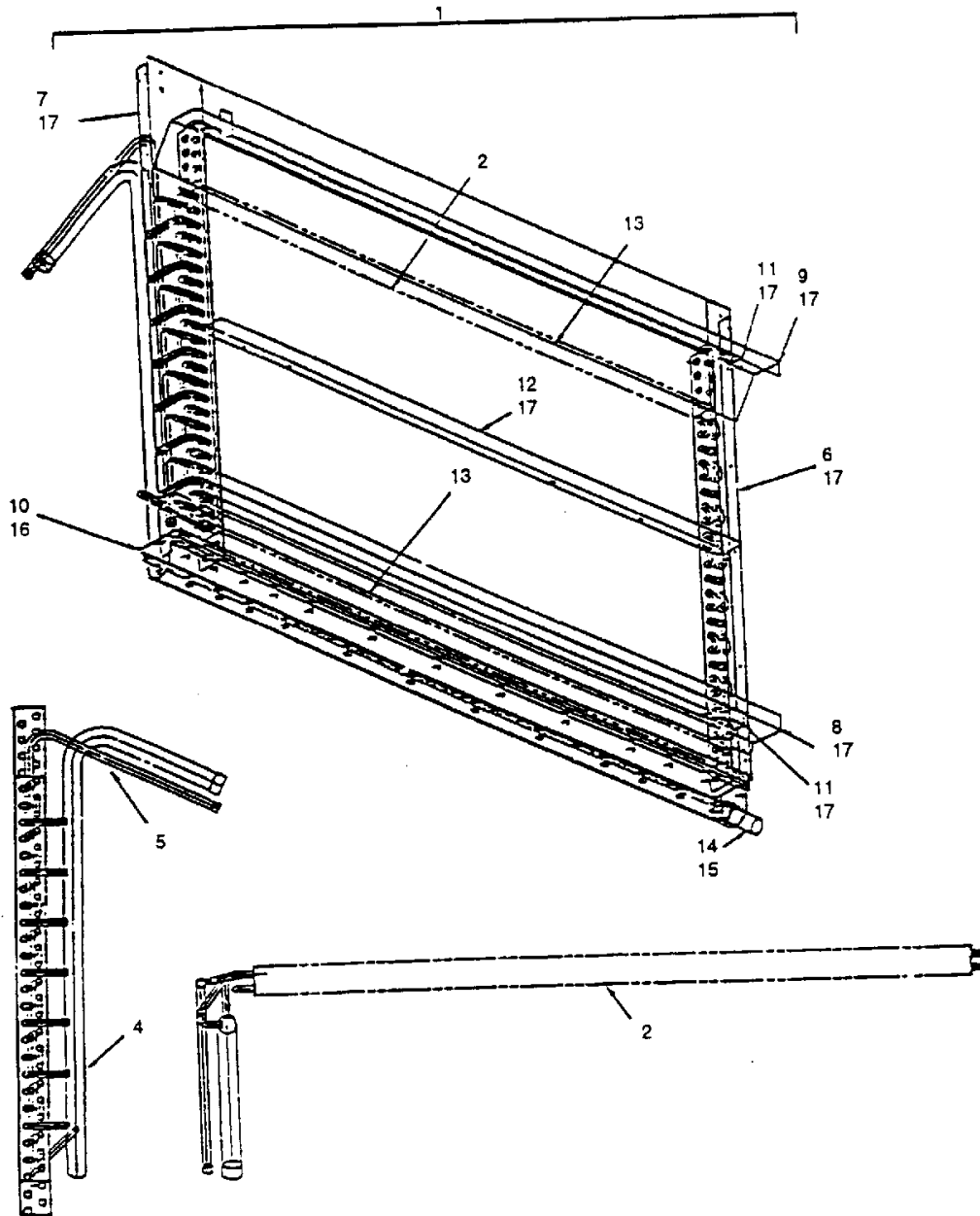
BURNER PLATE ASSEMBLY
 Parts List Number: YCD288A0#YCDUP288A
 Model Number: YCD075C4HABE

Part No.	Reference	Quantity	Description
ELL00027	16	1	ELBOW; .50 NPS, 90 DEG, 150# MI
ELL00030	17	1	ELBOW; .75, 90 DEG ST, 150# MI
FAN02159	3	1	FAN; BLOWER, COMBUSTION, W/MOTOR, 1/20 HP, 208-230/60/1
GKT03053	11	1	GASKET; EDGE TRIM, .062 X 9.0 DIAMETER
GKT03131	9	1	GASKET; FIBERGLASS REINF., .125 X 2.76 X 2.00
GKT03283	4	1	GASKET; .060 X 4.16 DIA.
GLS00144	5	1	GLASS; SIGHT, .75 OD X .12 THK
IGN00053	7	1	IGNITOR; CONTROL, 2000F, 115V
INS01670	*	1	INSULATION; BURNER END CAP
NIP00113	19	1	NIPPLE; .50 NPS X 2.70
NUT00009	6	4	NUT; .25-20, HEX LOCK
ORF00769	10	1	ORIFICE; GAS, .302 DIAMETER
PIP00367	18	1	PIPE; .75 NPS X 2.70 LONG
PLT01775	2	1	PLATE; BURNER WELD, ORDER GKT1572 AND INS01670, IF NEEDED
PLT02199	14	1	PLATE; ORIFICE
PLT02679	1	1	PLATE; BURNER CAP ASSEMBLY, 11.5" DRUM
RTR00131	*	1	RETAINER, IGNITOR, WIRE
SCR01564	8	2	SCREW; 10-32 X .38, SPECIAL BUTTONHEAD SOCKET, STAINLESS STL
TUB08351	*	1	TUBE; DRAIN, .19 ID X .06W X 10 INCH, RUBBER
VAL04810	13	1	VALVE; GAS, .50 X .75 NPTI, REDUNDANT

Selected Assembly: 8c74b438-08f3-4bcd-a446-470d5a261599
EVAPORATOR COIL ASSEMBLY
Parts List Number: YCD288A0#YCDUP288A
Model Number: YCD075C4HABE

Section 7 - Evaporator Coil Assembly

YCD101I7



This is a typical illustration. The unit in the field may not appear exactly as shown.

EVAPORATOR COIL ASSEMBLY
 Parts List Number: YCD288A0#YCDUP288A
 Model Number: YCD075C4HABE

Part No.	Reference	Quantity	Description
ADH00012	15	0	ADHESIVE; PVC CEMENT
BOF00566	7	1	BLOCKOFF;EVAPORATOR COIL ACCESS SIDE
BOF00567	6	1	BLOCKOFF;EVAPORATOR COIL REAR
BRK01462	12	1	BRACKET;FILTER SUPPORT
BRK01494	9	1	BRACKET;FILTER TOP
BRK01495	8	1	BRACKET;FILTER BOTTOM
BUS00334	*	1	BUSHING; SNAP, UNIVERSAL .88 MTG W/MAX .56 ID BLACK NYLON, MAX PANEL THICK = .125
COL06240	2	1	COIL;EVAPORATOR WELD ASSEMBLY
COL06241	1	1	COIL;& BLOCKOFF EVAPORATOR ASSEMBLY COMPLETE
GKT01722	13	0	GASKET;.12 X .75 X 50FT ROLL
GRM00104	*	1	GROMMET; .52 ID X .05 GRV
PAN00835	10	1	PAN; DRAIN, PLASTIC
PIP00326	14	1	PIPE; .75 NPS X 3.00 LG
RTR00093	11	2	RETAINER;FILTER CHANNEL
SCR01067	16	5	SCREW;10 X .50
SCR01074	17	23	SCREW; SHT METAL, 10-16 X .50, HEX WASHER HD
TUB07023	5	1	TUBE; SHORT ORIFICE ASSEMBLY
TUB07024	4	1	TUBE; SUCTION HEADER ASSEMBLY

<p style="font-size: 24px; text-align: center; margin: 0;">Model Nomenclature</p>	<p style="font-size: 24px; margin: 0;">75000905</p>	<table border="1" style="margin: 0 auto; border-collapse: collapse;"> <tr> <td style="padding: 2px;">REV</td> </tr> <tr> <td style="padding: 2px;">D</td> </tr> </table>	REV	D																						
REV																										
D																										
<table style="margin: 0 auto; border-collapse: collapse;"> <tr> <td style="padding: 0 10px;">Y</td> <td style="padding: 0 10px;">C</td> <td style="padding: 0 10px;">D</td> <td style="padding: 0 10px;">0</td> <td style="padding: 0 10px;">9</td> <td style="padding: 0 10px;">0</td> <td style="padding: 0 10px;">A</td> <td style="padding: 0 10px;">3</td> <td style="padding: 0 10px;">L</td> <td style="padding: 0 10px;">0</td> <td style="padding: 0 10px;">A</td> <td style="padding: 0 10px;">A</td> </tr> <tr> <td style="padding: 0 10px;">1</td> <td style="padding: 0 10px;">2</td> <td style="padding: 0 10px;">3</td> <td style="padding: 0 10px;">4</td> <td style="padding: 0 10px;">5</td> <td style="padding: 0 10px;">6</td> <td style="padding: 0 10px;">7</td> <td style="padding: 0 10px;">8</td> <td style="padding: 0 10px;">9</td> <td style="padding: 0 10px;">10</td> <td style="padding: 0 10px;">11</td> <td style="padding: 0 10px;">12</td> </tr> </table>			Y	C	D	0	9	0	A	3	L	0	A	A	1	2	3	4	5	6	7	8	9	10	11	12
Y	C	D	0	9	0	A	3	L	0	A	A															
1	2	3	4	5	6	7	8	9	10	11	12															
<p>Digits 1,2 Product Type YC = Packaged Gas/Electric YG = Packaged Gas/Electric (Gemini) TC = Packaged Cooling WC = Packaged Heat Pump</p>	<p>Digit 8 Electrical Characteristics 1 = 208-230/60/1 3 = 208-230/60/3 4 = 460/60/3, 380-415/50/3 D = 380-415/50/3 K = 380/60/3 T = 200/50/3 W = 575/60/3</p>	<p>Digit 3 Airflow Configuration D = Downflow H = Horizontal</p>																								
<p>Digits 4,5,6 Nominal Gross Cooling Capacity(MBh) 036 = 3 Tons (STD) 037 = 3 Tons (High Efficiency) 048 = 4 Tons (STD) 049 = 4 Tons (High Efficiency) 060 = 5 Tons (STD) 061 = 5 Tons (High Efficiency) 074 = 6 1/4 Tons (STD) 075 = 6 1/4 Tons (High Efficiency) 090 = 7 1/2 Tons (STD) 091 = 7 1/2 Tons (High Efficiency) 102 = 8 1/2 Tons (STD) 103 = 8 1/2 Tons (High Efficiency) 120 = 10 Tons (STD) 121 = 10 Tons (High Efficiency) 126 = 10 Tons (Gemini) 150 = 12 1/2 Tons (STD) 151 = 12 1/2 Tons (High Efficiency) 180 = 15 Tons (STD) 181 = 15 Tons (High Efficiency) 186 = 15 Tons (Gemini) 210 = 17 1/2 Tons (STD) 211 = 17 1/2 Tons (High Efficiency) 240 = 20 Tons (STD) 241 = 20 Tons (High Efficiency) 246 = 20 Tons (Gemini) 300 = 25 Tons (STD) 301 = 25 Tons (High Efficiency)</p>	<p>Digit 9 Secondary Capacity 0 = No Heat L = Low Heat M = Medium Heat H = High Heat</p>	<p>Digit 10 Factory Installed Options Examples: 0 = No Factory Installed A = Factory Installed Economizer B = Oversize C = Oversize and Economizer D = Installed TIM-E W/Oversize Motor E = Factory Installed Economizer W/TIM-E F = Factory Installed TCI G = Factory Installed Economizer W/TCI</p>																								
<p>Digit 7 Major Development Sequence</p>	<p>Digit 11 Minor Design Sequence</p>	<p>Digit 12 Service Digit</p>																								

MODEL NUMBER NOMENCLATURE

Parts List Number: YCD288A0#YCDUP288A

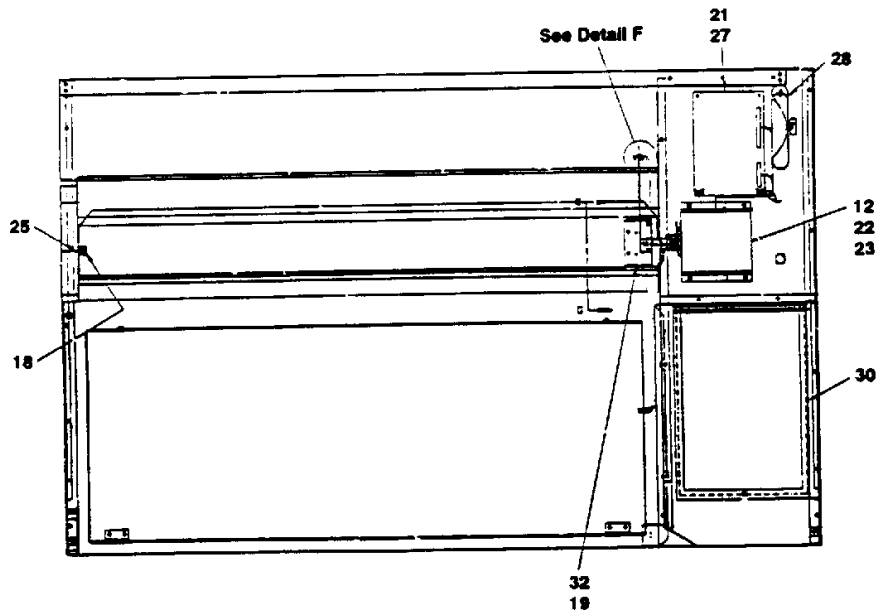
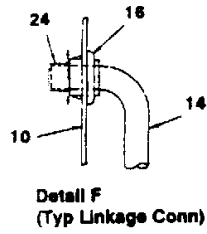
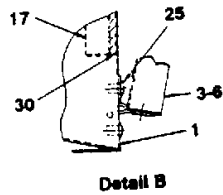
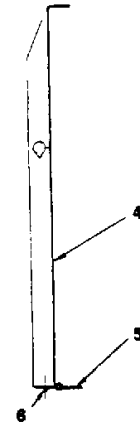
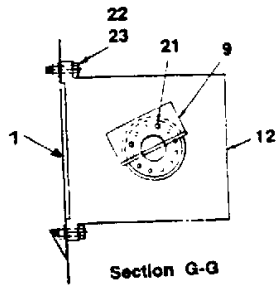
Model Number: YCD075C4HABE

Part No.	Reference	Quantity	Description
----------	-----------	----------	-------------

Selected Assembly: 3233c4f2-44d4-433d-8fc6-0e527eb3011b
ECONOMIZER ASSEMBLY (BAYECON068BA)
Parts List Number: YCD288A0#YCDUP288A
Model Number: YCD075C4HABE

Section 1 - General Assembly Illustration

ECON2201



This is a typical illustration. The unit in the field may not appear exactly as shown.

ECONOMIZER ASSEMBLY (BAYECON068BA)

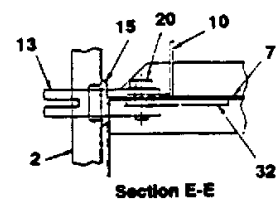
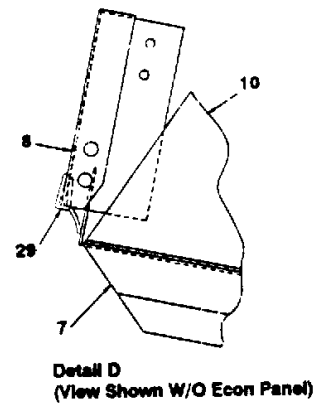
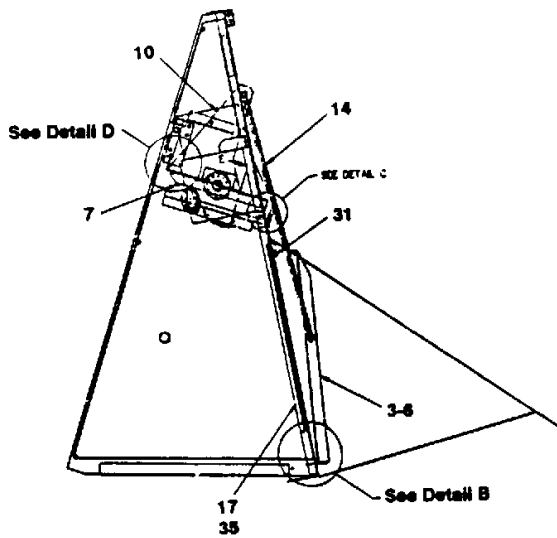
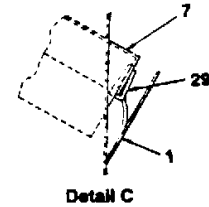
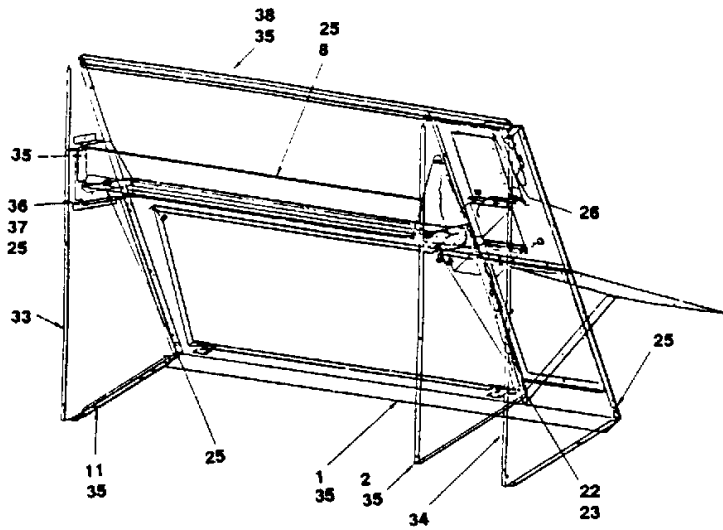
Parts List Number: YCD288A0#YCDUP288A

Model Number: YCD075C4HABE

Part No.	Reference	Quantity	Description
BLD00705	17	1	BLADE;BAROMETRIC RELIEF
BOF00085	3	1	BLOCKOFF; BARRIER ASSEMBLY
BOF00085	4	1	BLOCKOFF; BARRIER ASSEMBLY
BRG00300	18	1	BEARING; LINKAGE, PIVOT, FEMALE NYLON, .50 OD X .50 LG
BRG00653	16	1	BEARING, INSERT, DAMPER, .260 BORE
BRK00744	*	1	BRACKET; R. A. BLADE BLOCKOFF
BRK00821	9	1	BRACKET; ACTUATOR TO DRIVE ROD
BRK00822	10	1	BRACKET;LINKAGE
FLR00786	*	1	FILTER; MIST ELIMINATOR, 1.00 X 15.12 X 45.75
GKT01115	*	0	GASKET; POLYURETHANE, OPEN CELL, .75 THK X .75 W X 25FT. ROLL
GKT01722	30	0	GASKET;.12 X .75 X 50FT ROLL
GRM00039	*	1	GROMMET; RUBBER .25 ID X .05 GRV MLD
HNG00051	5	1	HINGE; 1.42 X 1.50 LG
HOD00073	*	1	HOOD; BAROMETRIC RELIEF
MOD00192	27	1	MODULE, ECONOMIZER (UEM)
NUT00004	23	4	NUT; 10-32, HEX LOCK
NUT00338	24	2	NUT; .25- , PUSH ON SPRING STEEL, IF PIN REQUIRED, ORDER PIN00092
OPR00064	12	1	OPERATOR; DAMPER, SPRING RETURN, 24V, 90 DEG STROKE, CCW
PLT01154	32	1	PLATE;OUTSIDE AIR BLADE BACK-UP
PNE02708	1	1	PANEL, ECONOMIZER REAR
PNN03533	1	1	PANEL;ECONOMIZER REAR
RIV00009	6	1	RIVET; 3/16", ALUMINUM, BLIND AD64BS
RIV00009	25	0	RIVET; 3/16", ALUMINUM, BLIND AD64BS
ROD00493	14	1	ROD; LINKAGE, 16.03 LG X .25 DIA
SCR00909	21	2	SCREW, 6-32 X .75
SCR01417	22	4	SCREW, 10-32 X .75, HEX MACH
SCR01474	19	1	SCREW;
SEL00421	*	1	SEAL; CLEAR SILICONE 10.8 OZ.
SEN00372	*	1	SENSOR; THERMISTOR PROBE, -40 TO 65C
SEN00500	*	1	SENSOR; THERMISTOR USE SEN0372 FOR SENSOR ONLY
TIE00005	*	1	TIE; WIRE, .06-1.75 DIA
WIR02155	28	1	WIRE;HARNESS, ECONOMIZER

Section 1 - General Assembly Illustration, Continued

ECON2202



This is a typical illustration. The unit in the field may not appear exactly as shown.

ECONOMIZER ASSEMBLY, CONT'D
Parts List Number: YCD288A0#YCDUP288A
Model Number: YCD075C4HABE

Part No.	Reference	Quantity	Description
ANG00618	8	1	ANGLE;OUTSIDE AIR SEALING BLADE
BLD00705	17	1	BLADE;BAROMETRIC RELIEF
BOF00085	3	1	BLOCKOFF; BARRIER ASSEMBLY
BOF00085	4	1	BLOCKOFF; BARRIER ASSEMBLY
BRG00271	15	1	BEARING; DAMPER, MOLDED, .45 ID X .31 LG
BRK00822	10	1	BRACKET;LINKAGE
BRK01534	36	1	BRACKET;ECONOMIZER PANEL
BRK01536	*	1	BRACKET;ECONOMIZER
CLP00190	26	1	CLIP; FLEXIBLE TRIM 10 FT LONG
CNL00005	38	1	CHANNEL;MIST ELIMINATOR
FLR00786	*	1	FILTER; MIST ELIMINATOR, 1.00 X 15.12 X 45.75
HNG00051	5	1	HINGE; 1.42 X 1.50 LG
INS01674	37	1	INSULATION; 1.0T X 4.94W X 7.75
IRT00017	31	2	INSERT; BUMPER-STOP, 0.468 OD X 0.81 LG, BLACK RUBBER
NUT00701	23	5	NUT;
PLT01154	32	1	PLATE;OUTSIDE AIR BLADE BACK-UP
PNE02708	1	1	PANEL, ECONOMIZER REAR
PNE02709	33	1	PANEL, SIDE ECONOMIZER
PNE02710	34	1	PANEL, SIDE ECONOMIZER
PNN03534	2	1	PANEL;SEPARATOR SUPPORT
PNN03535	7	1	PANEL;BLADE-ECONOMIZER OUTSIDE AIR
RIV00009	6	1	RIVET; 3/16", ALUMINUM, BLIND AD64BS
RIV00009	25	0	RIVET; 3/16", ALUMINUM, BLIND AD64BS
ROD00493	14	1	ROD; LINKAGE, 16.03 LG X .25 DIA
ROD00580	13	1	ROD; STEEL, .44 DIA X 1.94 LG
SCR00709	20	1	SCREW, 10-24 X .50
SCR01474	22	5	SCREW;
SCR01474	35	0	SCREW;
SEL00419	29	2	SEAL;EXTRUSION
SPC00185	11	1	SPACER;MIST ELIMINATOR