

Selected Assembly: root
Model Number: YCD060C4HABF

Selected Assembly: ccf2169c-a988-47cf-9d29-100e0189f930

YCDUP372 PARTS LIST

Parts List Number: YCD372#YCDUP372

Model Number: YCD060C4HABF

YCDUP372 PARTS LIST

Parts List Number: YCD372#YCDUP372

Model Number: YCD060C4HABF

Part No.	Reference	Quantity	Description
----------	-----------	----------	-------------

Model Nomenclature											75000905	REV D	
	Y	C	D	0	9	0	A	3	L	0	A	A	
	1	2	3	4	5	6	7	8	9	10	11	12	
<p>Digits 1,2 Product Type YC = Packaged Gas/Electric YG = Packaged Gas/Electric (Gemini) TC = Packaged Cooling WC = Packaged Heat Pump</p>							<p>Digit 8 Electrical Characteristics 1 = 208-230/60/1 3 = 208-230/60/3 4 = 460/60/3, 380-415/50/3 D = 380-415/50/3 K = 380/60/3 T = 200/50/3 W = 575/60/3</p>						
<p>Digit 3 Airflow Configuration D = Downflow H = Horizontal</p>							<p>Digit 9 Secondary Capacity 0 = No Heat L = Low Heat M = Medium Heat H = High Heat</p>						
<p>Digits 4,5,6 Nominal Gross Cooling Capacity(MBh) 036 = 3 Tons (STD) 037 = 3 Tons (High Efficiency) 048 = 4 Tons (STD) 049 = 4 Tons (High Efficiency) 060 = 5 Tons (STD) 061 = 5 Tons (High Efficiency) 074 = 6 1/4 Tons (STD) 075 = 6 1/4 Tons (High Efficiency) 090 = 7 1/2 Tons (STD) 091 = 7 1/2 Tons (High Efficiency) 102 = 8 1/2 Tons (STD) 103 = 8 1/2 Tons (High Efficiency) 120 = 10 Tons (STD) 121 = 10 Tons (High Efficiency) 126 = 10 Tons (Gemini) 150 = 12 1/2 Tons (STD) 151 = 12 1/2 Tons (High Efficiency) 180 = 15 Tons (STD) 181 = 15 Tons (High Efficiency) 186 = 15 Tons (Gemini) 210 = 17 1/2 Tons (STD) 211 = 17 1/2 Tons (High Efficiency) 240 = 20 Tons (STD) 241 = 20 Tons (High Efficiency) 246 = 20 Tons (Gemini) 300 = 25 Tons (STD) 301 = 25 Tons (High Efficiency)</p>							<p>Digit 10 Factory Installed Options Examples: 0 = No Factory Installed A = Factory Installed Economizer B = Oversize C = Oversize and Economizer D = Installed TIM-E W/Oversize Motor E = Factory Installed Economizer W/TIM-E F = Factory Installed TCI G = Factory Installed Economizer W/TCI</p>						
<p>Digit 7 Major Development Sequence</p>							<p>Digit 11 Minor Design Sequence</p>						
							<p>Digit 12 Service Digit</p>						

MODEL NUMBER NOMENCLATURE

Parts List Number: YCD372#YCDUP372

Model Number: YCD060C4HABF

Part No.	Reference	Quantity	Description
----------	-----------	----------	-------------

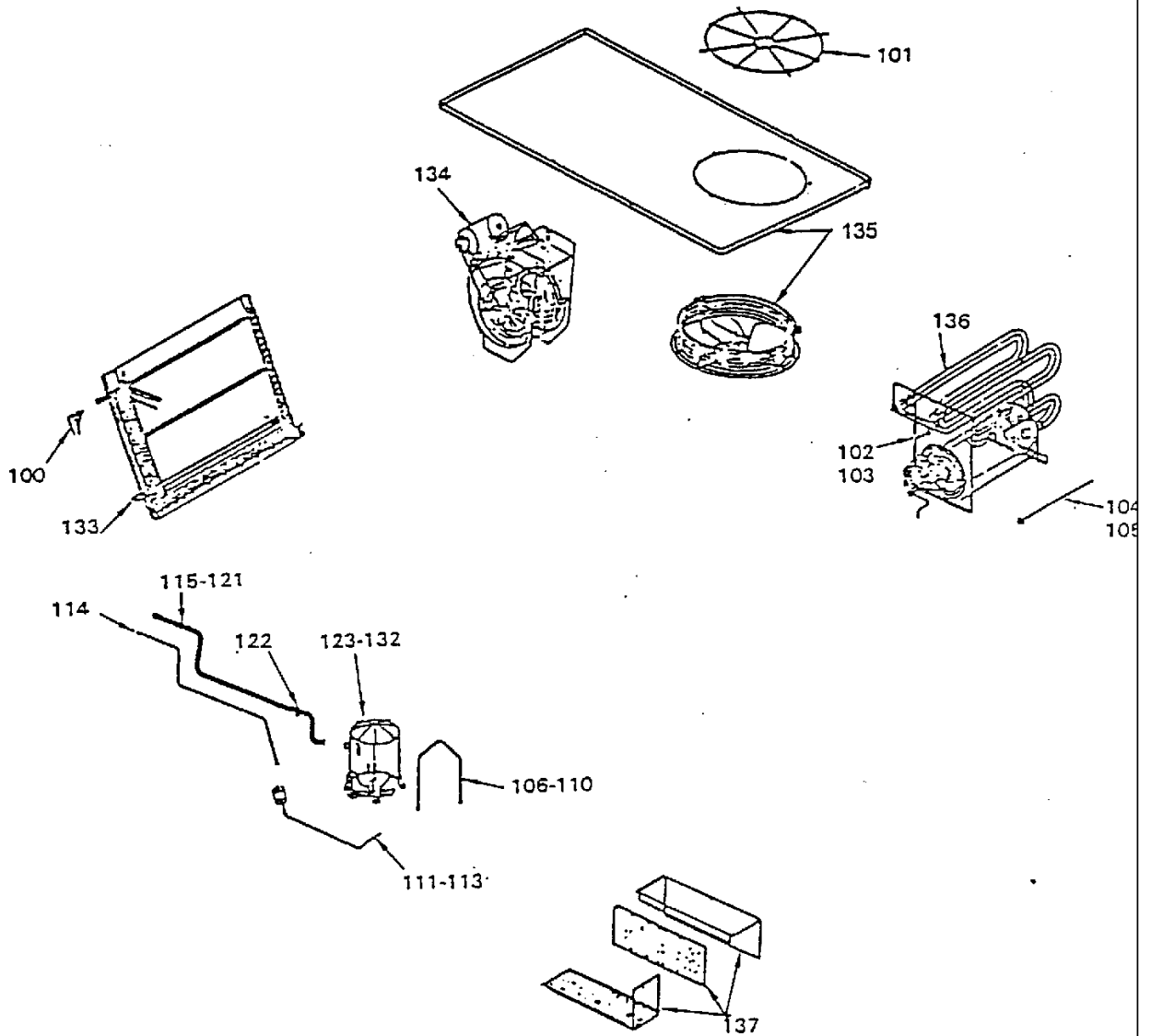
GENERAL ASSEMBLY VIEW 1
Parts List Number: YCD372#YCDUP372
Model Number: YCD060C4HABF

Part No.	Reference	Quantity	Description
BLK00475	32	1	BLOCK;TERMINAL, 4 POLE, 20A, 300V
BOF00544	17	1	BLOCKOFF;COIL TOP
BOF00939	14	1	BLOCKOFF; HEAT SECTION
BRK01518	45	1	BRACKET;SENSOR
BUS00178	38	2	BUSHING; SNAP, .88 MTG. W/.69 HOLE
CMP00089	44	1	CLAMP; CONDUIT, RIGID, .50 NOM, 1 HOLE MTG, STL
CMP00128	43	2	CLAMP; TUBE, .20IN. DIA
CNL00334	1	1	CHANNEL;BASE RAIL FRONT
CNL00335	2	1	CHANNEL;BASE RAIL REAR
CNL00336	3	1	CHANNEL;BASE RAIL SUPPORT
COL06708	41	1	COIL; CONDENSER ASSEMBLY
COV01008	16	1	COVER; MANUAL FRESH AIR
COV01226	23	1	COVER; COMBUSTION INTAKE
GKT01722	13	0	GASKET;.12 X .75 X 50FT ROLL
GKT01722	22	0	GASKET;.12 X .75 X 50FT ROLL
GKT01722	37	0	GASKET;.12 X .75 X 50FT ROLL
GKT01875	8	2	GASKET .12 X 9.50W X 360" RL
GKT02609	31	1	GASKET; .12T X 2.42 X 3.00
GRM00039	46	1	GROMMET; RUBBER .25 ID X .05 GRV MLD
GRM00106	*	2	GROMMET; .88 ID X .05 GRV
GRM00134	*	2	GROMMET;.43 ID X .05 GRV
GRM00135	*	2	GROMMET;.88 ID X .05 GRV
GRM00141	39	1	GROMMET; .78 ID X .05 - .12 GRV, 1/2 IPS, MOLDED VINYL
INS01663	33	1	INSULATION; .03 THK PAPER
IRT00017	11	4	INSERT; BUMPER-STOP, 0.468 OD X 0.81 LG, BLACK RUBBER
KNB00059	19	1	KNOB, DOOR
KNB00059	25	1	KNOB, DOOR
PAN01136	6	1	PAN; CONDENSER BASEPAN ASSEMBLY
PLT01631	30	1	PLATE; DRAIN TUBE SEAL ASSEMBLY
PLU00349	40	1	PLUG; 1.38 DIA HOLE, .12 THK PANEL, MOLDED PLASTIC
PLU00439	34	1	PLUG; RUBBER
PNL09590	12	1	PANEL;ECONOMIZER
PNL09591	18	1	PANEL;COMPRESSOR ACCESS
PNL09593	24	1	PANEL;EVAPORATOR ACCESS
PNN00572	7	1	PANEL;EVAPORATOR BASEPAN ASSEMBLY
PNN03253	10	1	PANEL; FRONT, ASSEMBLY
PNN03255	28	1	PANEL;DEAD FRONT CONTROL PANEL ASSEMBLY
PNN03258	35	1	PANEL; BLOCKOFF, CONDENSER COIL
PNN03324	9	1	PANEL; REAR, ASSEMBLY
PNN05797	42	1	PANEL;GAS HEAT UPPER COVER ASSEMBLY
PNN08098	21	1	PANEL; ACCESS, HEAT SECTION ASSEMBLY
RAL00101	5	2	RAIL;BASE COMPRESSOR

RIV00056	20	2	RIVET;.25 DIA X .31 LG
RIV00056	26	2	RIVET;.25 DIA X .31 LG
SHD00231	29	1	SHIELD;DRIP, GAS HEAT ASSEMBLY
SUP01202	4	1	SUPPORT;EVAPORATOR BASE
SUP02069	36	1	SUPPORT; CORNER POST
SUP02117	15	1	SUPPORT-EVAPORATOR FAN
SUP02767	27	1	SUPPORT, GAS VALVE

YCD136I1

Section 1 - General Assembly



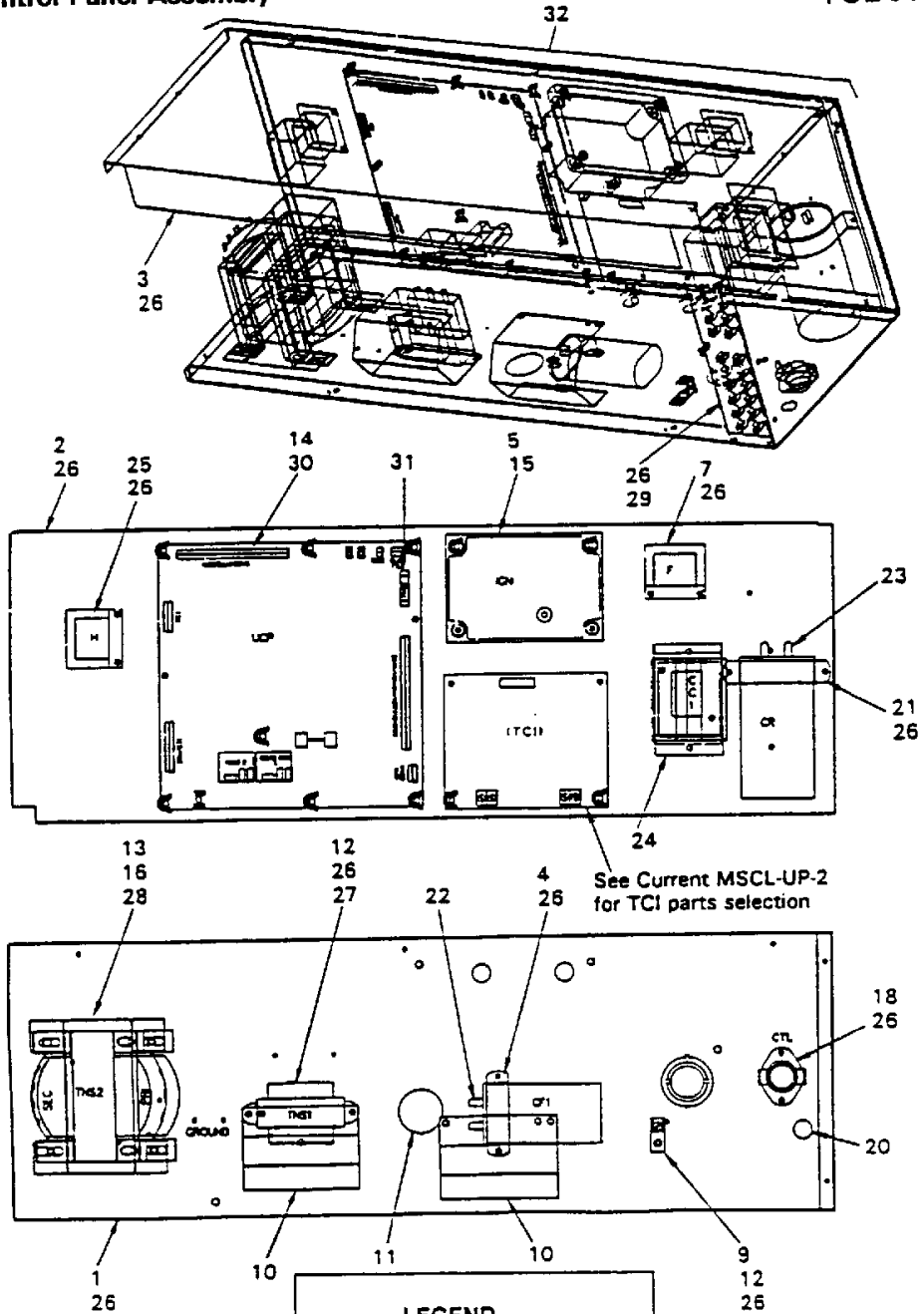
This is a typical illustration. The unit in the field may not appear exactly as shown.

GENERAL ASSEMBLY VIEW 2
Parts List Number: YCD372#YCDUP372
Model Number: YCD060C4HABF

Part No.	Reference	Quantity	Description
BLT00169	126	3	BOLT; .31-18 X 2.00
CAP00072	110	1	CAP; VALVE, SEAL, .25 FFL
CAP00072	119	1	CAP; VALVE, SEAL, .25 FFL
CNT01015	103	1	CONTROL, LIMIT, 135 OPEN, 105 CLOSE
CNT01045	104	1	CONTROL; LIMIT, 180F, NORMALLY CLOSED, AUTO RESET
CNT01629	122	1	CONTROL; LOW PRESSURE, 7 OPEN/22 CLOSE
COM03758	123	1	COMPRESSOR; GP673-LM4-G*, 5.6 TON, 460/60/3, 380-415/50/3 (1.75-12 SUCTION 1.25-12 DISCHARGE)
COR00006	109	1	CORE; VALVE PORT, .79 LENGTH, .206-36 UNS 2A THD
COR00006	118	1	CORE; VALVE PORT, .79 LENGTH, .206-36 UNS 2A THD
COV01051	130	1	COVER;
DHY00140	113	1	DRIER;FILTER/LIQUID LINE TYPE 053S, 3/8 ODF (EK-053S), R-410A COMPATIBLE
DHY00179	*	1	DRIER; FILTER/SUCTION LINE, TYPE 45S7, 7/8 IN. ODF CONN (ASD45S7VV)
FLR00855	100	2	FILTER; 20 X 25 X 1, (ONE CTN = 20 PCS)
GKT01647	131	1	GASKET; .06 THK X 1.50 DIA
GKT01648	132	1	GASKET; .06 THK X 1.00 OD
GRL00279	101	1	GRILLE; FAN, 25.50 DIA
GRM00108	129	1	GROMMET; 1.0 OD X .08 GRV
HTR01614	124	1	HEATER; CRANKCASE, 67W, 460V
INS00573	102	1	INSULATION; .03 THK, FISH PAPER
INS00578	121	1	INSULATION; .88ID X .38W X 6FT LONG
MNT00479	128	3	MOUNT; VIBRATION ISOLATOR, COMPRESSOR
PAI00077	*	0	PAINT; SLATE GREY (SHIPPING UOM 1 GAL HAZ)
PAI00086	*	0	PAINT; SPRAY, SLATE GREY, MID GLOSS(60) (SHIPPING UOM 12 OZ HAZ)
SLV00089	120	1	SLEEVE, .875 TUBE
SPC00181	127	3	SPACER, .34 ID X .44 OD X .50
SPC00323	105	2	SPACER; .194 ID X .312 LG, .375 OD
TUB06948	111	1	TUBE; LIQUID OUTDOOR COIL TO DRIER ASSEMBLY
TUB06949	112	1	TUBE; LIQUID OUTDOOR COIL TO DRIER
TUB06992	115	1	TUBE; SUCTION COMPRESSOR TO HEADER ASSEMBLY
TUB06993	114	1	TUBE; LIQUID DRIER TO COLLECTOR
TUB07015	116	1	TUBE; SUCTION COMPRESSOR TO HEADER
TUB07819	107	1	TUBE;DISCHARGE
TUB07820	106	1	TUBE;DISCHARGE ASSEMBLY
VAL01483	108	1	VALVE; BODY, .44-20 THD X .25 ODS, STRAIGHT, BRASS, LESS CORE
VAL01483	117	1	VALVE; BODY, .44-20 THD X .25 ODS, STRAIGHT, BRASS, LESS CORE

Section 2 - Control Panel Assembly

YCD9602



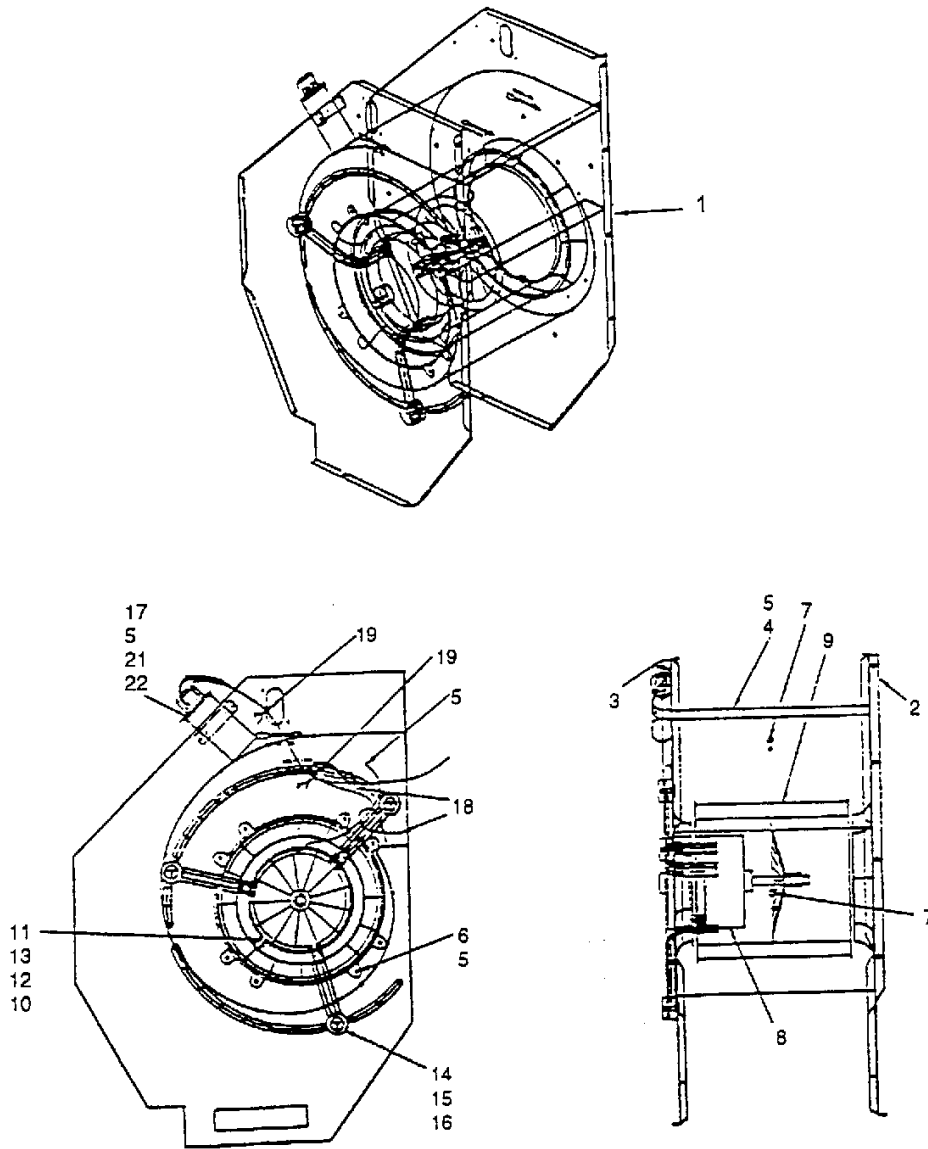
This is a typical illustration. The unit in the field may not appear exactly as shown.

CONTROL PANEL ASSEMBLY
 Parts List Number: YCD372#YCDUP372
 Model Number: YCD060C4HABF

Part No.	Reference	Quantity	Description
BRK00348	4	1	BRACKET;CAPACITOR STRAP
BUS00178	20	1	BUSHING; SNAP, .88 MTG. W/.69 HOLE
BUS00269	11	1	BUSHING; 1.31 ID X .45 LG SNAP BUSHING
CNT01405	18	1	CONTROL; TEMP, OPEN 65F, CLOSE 55F, SPST
CNT02062	5	1	CONTROL, IGNITION MODULE, GAS
CON00077	9	1	CONNECTOR, ELECTRIC GROUND, 14-2 AWG SOLDERLESS
CPN01531	32	1	CONTROL PANEL; ASM.
CPT00119	22	1	CAPACITOR; RUN, 5 MFD, 440V, OVAL, W/O RESISTOR
CTR00522	24	1	CONTACTOR; 30 AMP, 24V COIL, 3 POLE
FUS00853	31	1	FUSE, TIME DELAY, DUAL ELEMENT, 32 VOLT, MDL-4
INS01631	10	2	INSULATION; .03 THICK FISCH PAPER
MOD00304	30	1	MODULE, UNITARY CONTROL PROCESSOR
PNN03274	1	1	PANEL;CONTROL BOX WRAPPER
PNN08107	2	1	PANEL, CONTROL BOX, MOUNTING
PNN08108	3	1	PANEL, CONTROL BOX, BACK PANEL
RLY00969	7	1	RELAY; POWER DUTY, SWITCHING, DPDT, 6A AT 240V, 24V COIL
RLY00969	25	1	RELAY; POWER DUTY, SWITCHING, DPDT, 6A AT 240V, 24V COIL
SCR00906	26	22	SCREW; 8-32 X .50
SCR00907	16	3	SCREW; .25-20 X .50
SCR00909	14	2	SCREW, 6-32 X .75
SCR01072	15	2	SCREW;8-32 X 1.00
TER00312	*	1	TERMINAL; 8IN. TIE CABLE
TRR00574	27	1	TRANSFORMER; 50 VA, 460-575V PRI.,24V SEC.
TRR00664	28	1	TRANSFORMER; 350 VA, 460-575V PRI., 115-230V SEC.
WAS00456	13	1	WASHER;LOCK,.25 ID X .49 OD
WAS00611	12	4	WASHER;LOCK, .19 ID X .39 OD
WIR02332	29	1	WIRE; HARNESS, CONTROL PANEL

Section 3 - Evaporator Fan Assembly Illustration

TCD66I3



This is a typical illustration. The unit in the field may not appear exactly as shown.

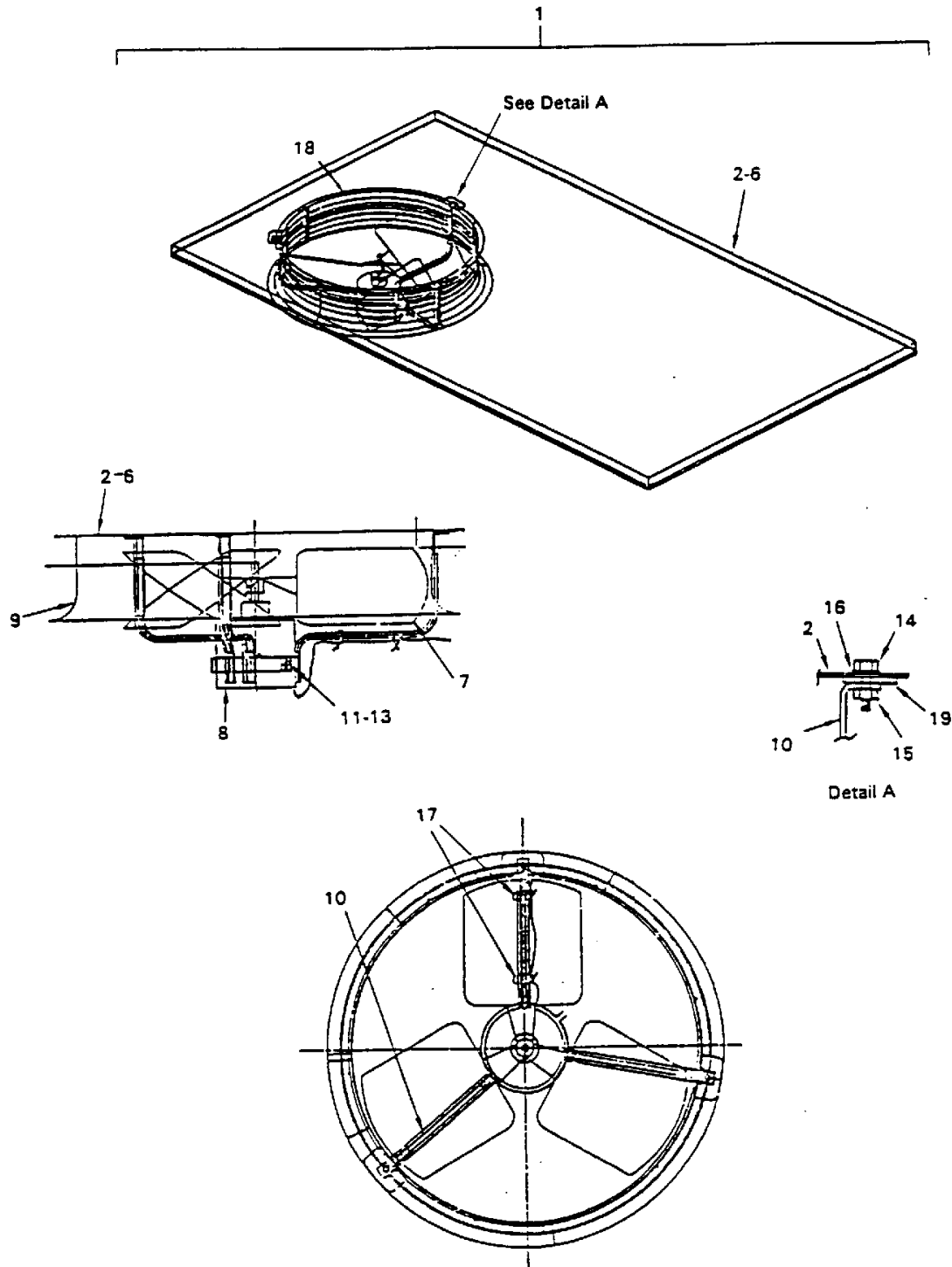
EVAPORATOR FAN ASSEMBLY
 Parts List Number: YCD372#YCDUP372
 Model Number: YCD060C4HABF

Part No.	Reference	Quantity	Description
ARM00157	11	3	ARM; MOTOR MOUNTING
BND00029	10	1	BAND; MOTOR MOUNTING
BRK01460	21	1	BRACKET;CAPACITOR MOUNTING, 1.19 X 2.06
BUS00485	7	2	BUSHING; .62 MTG W/MAX .44 ID
COF00025	4	1	CUTOFF;SCROLL, 12 X 9 EVAPORATOR FAN
CPT00088	17	1	CAPACITOR; RUN, 10 MFD, 440V OVAL, W/O RESISTOR
HUS01661	1	1	HOUSING; FAN
MNT00091	14	3	MOUNT; GROMMET, .31 ID X .19 GRV MLD, RUBBER
MOT04759	8	1	MOTOR; 3/5 HP, 460/60/1, 850 RPM, CW, BB, 48, 10 AT 440V
NUT00009	13	1	NUT; .25-20, HEX LOCK
ORF00368	6	1	ORIFICE; INDOOR FAN
PNN03266	2	1	PANEL;INDOOR FAN SIDE, BACK, DIRECT DRIVE
PNN03267	3	1	PANEL;INDOOR FAN SIDE ASSEMBLY, FRONT
SCR00118	16	3	SCREW; #10-32 X 0.375, WASHER HEX HEAD CAP, ZINC PLATED
SCR01074	5	36	SCREW; SHT METAL, 10-16 X .50, HEX WASHER HD
SCR01342	12	1	SCREW; .25-20 X 1.75 HEX MACHINE
SHD00124	22	1	SHIELD;CAPACITOR SAFETY
TER00311	19	2	TERMINAL; 4 1/2IN. TIE CABLE
TER00312	18	2	TERMINAL; 8IN. TIE CABLE
WAS00661	15	3	WASHER;.218 I.D. X .937 O.D.
WHL01999	9	1	WHEEL; FAN, 12.78 DIA. X 9.50 WIDTH, .50 BORE, CCW.

Selected Assembly: 3131e979-4dd4-4172-9f8f-cd42542ec979
CONDENSER FAN AND ORIFICE ASSEMBLY
Parts List Number: YCD372#YCDUP372
Model Number: YCD060C4HABF

YCD9504

Section 4 - Condenser Fan & Orifice Assembly



This is a typical illustration. The unit in the field may not appear exactly as shown.

CONDENSER FAN AND ORIFICE ASSEMBLY

Parts List Number: YCD372#YCDUP372

Model Number: YCD060C4HABF

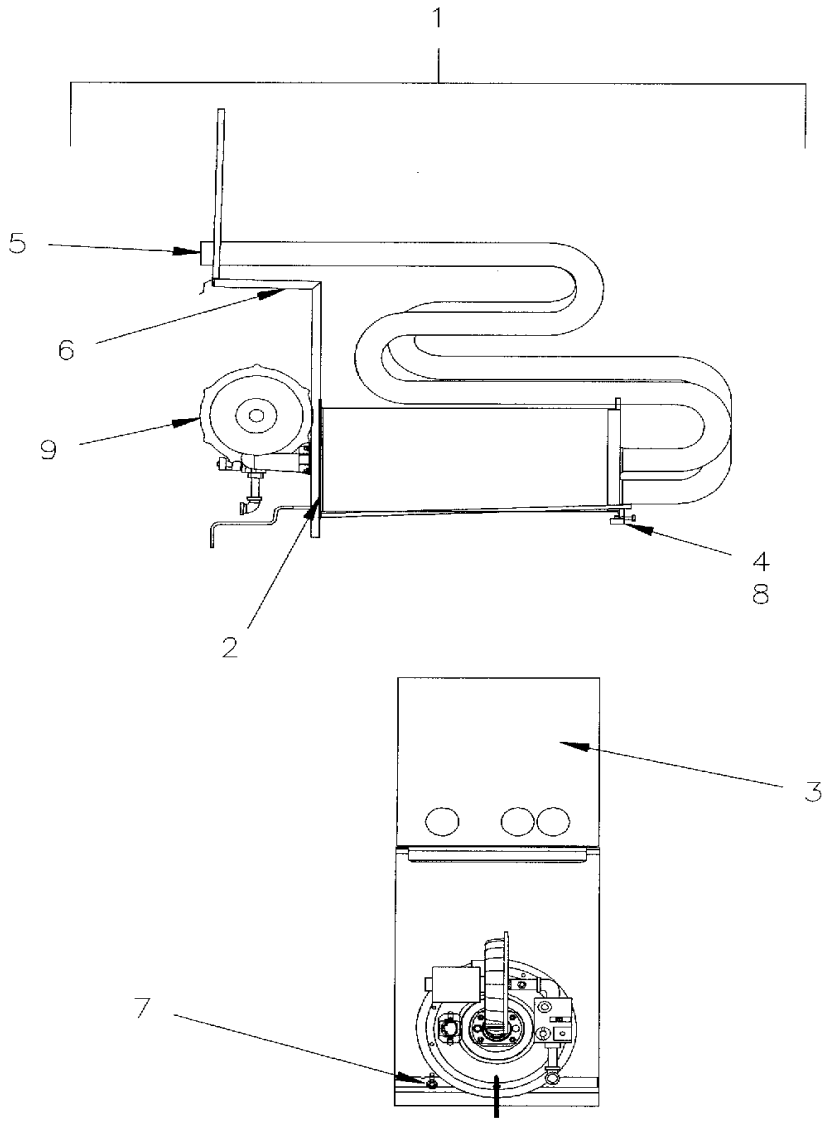
Part No.	Reference	Quantity	Description
----------	-----------	----------	-------------

Heat Exchanger

75003810

REV
A

Typical Illustration. Unit may not appear exactly as shown.



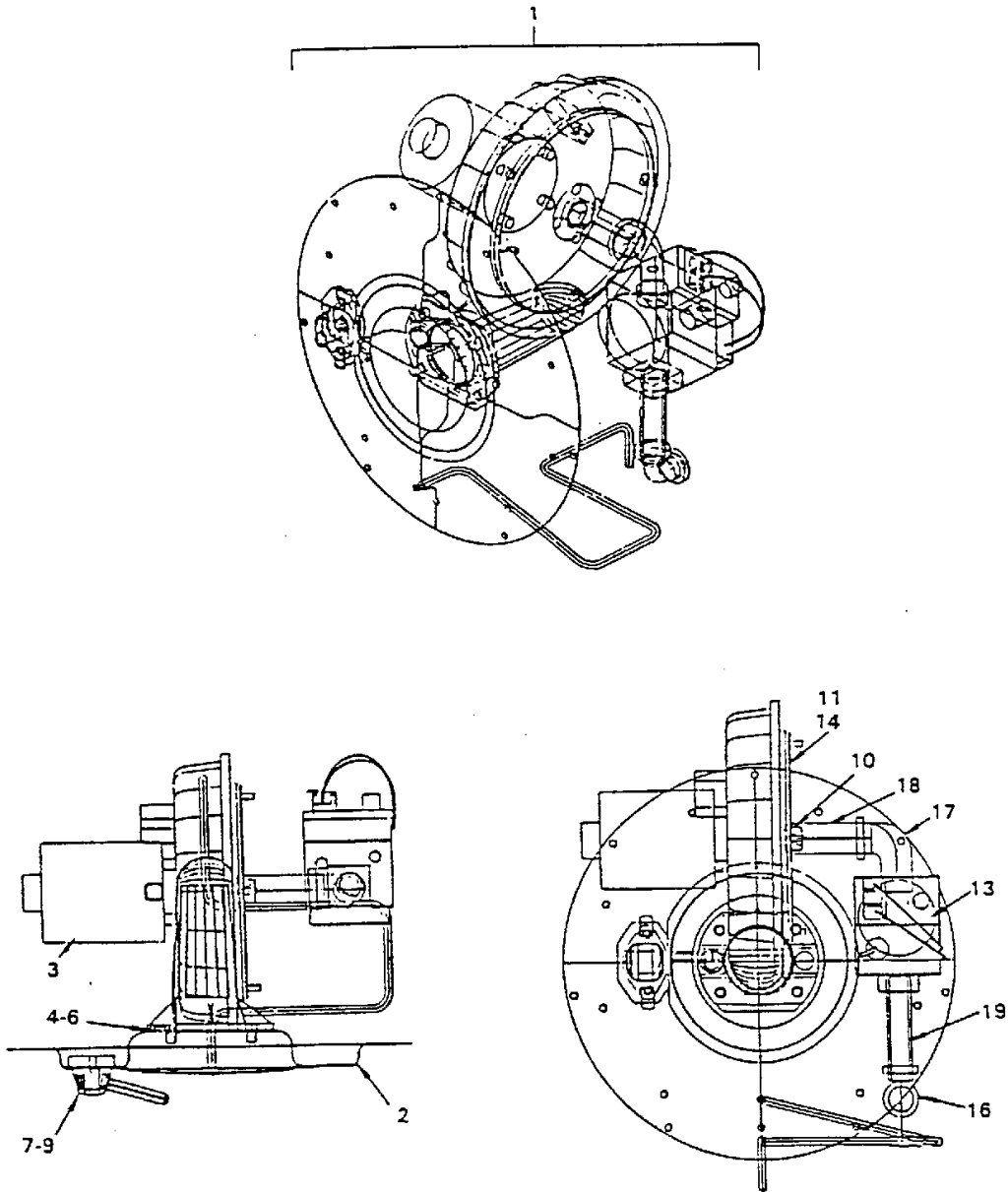
HEAT EXCHANGER ASSEMBLY
Parts List Number: YCD372#YCDUP372
Model Number: YCD060C4HABF

Part No.	Reference	Quantity	Description
EXC01303	1	1	EXCHANGER; GAS HEAT ASSEMBLY, 120 135 MBH, INCLUDES IGNITOR, COMBUSTION BLOWER, BURNER PLATE, GAS VALVE, TURBULATORS, VESTIBULE
GKT01565	2	2	GASKET; REINFORCED FIBERGLASS
PLT01219	3	1	PLATE; EXHAUST, 120 135 MBH
PNN00576	6	1	PANEL; GAS VESTIBULE
SCR01074	4	22	SCREW; SHT METAL, 10-16 X .50, HEX WASHER HD
SUP01204	8	1	SUPPORT; DRUM, 90 120 135 MBH
TRB00023	5	3	TURBULATOR;
TUB02730	7	1	TUBE; TEMPERATURE PROBE

Selected Assembly: 997ffffa-df09-4ecd-a94b-5f553c72bab5
BURNER PLATE ASSEMBLY
Parts List Number: YCD372#YCDUP372
Model Number: YCD060C4HABF

Section 6 - Burner Plate Assembly Illustration

YCD9506



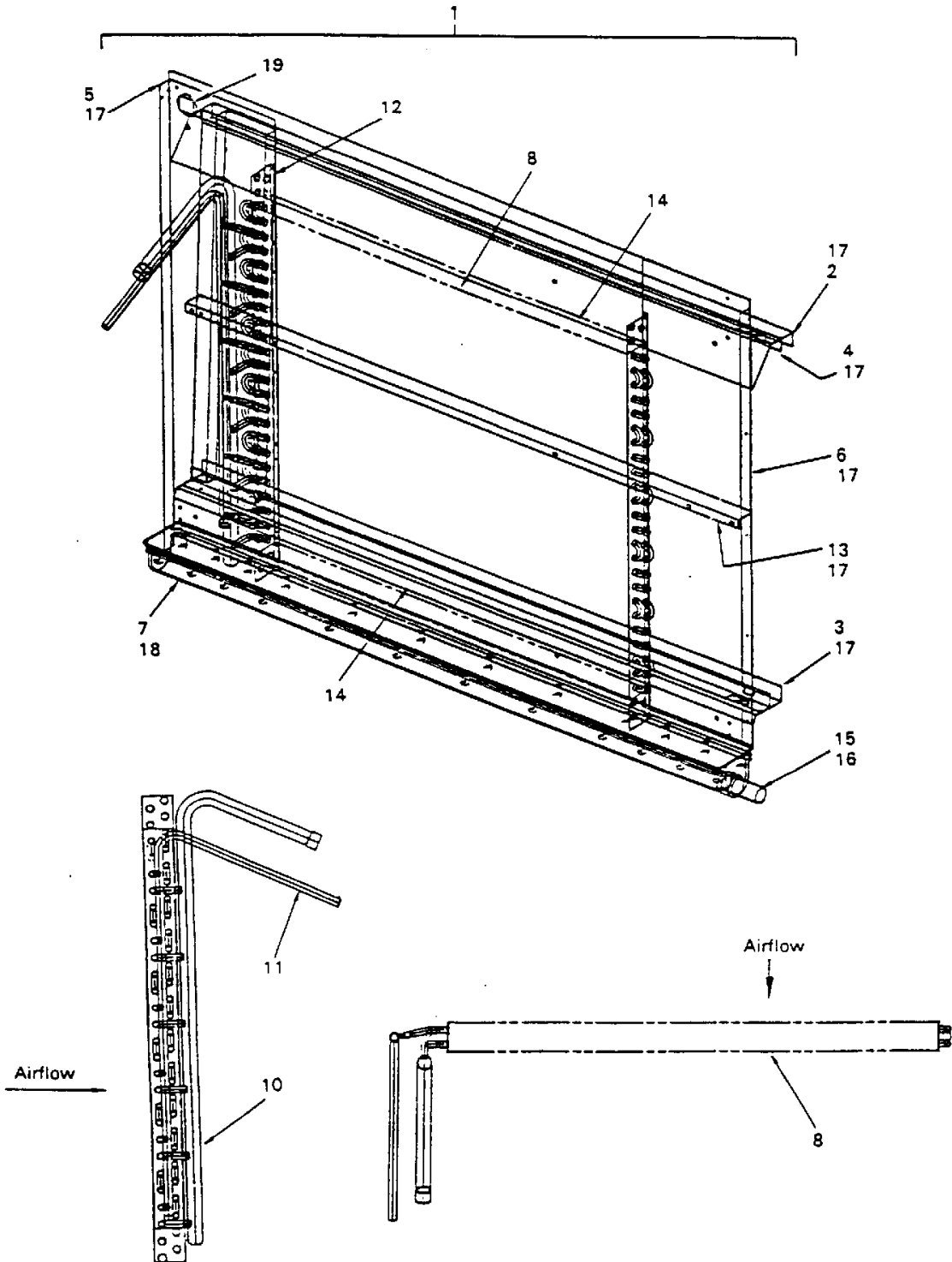
This is a typical illustration. The unit in the field may not appear exactly as shown.

BURNER PLATE ASSEMBLY
 Parts List Number: YCD372#YCDUP372
 Model Number: YCD060C4HABF

Part No.	Reference	Quantity	Description
ELL00027	16	1	ELBOW; .50 NPS, 90 DEG, 150# MI
ELL00030	17	1	ELBOW; .75, 90 DEG ST, 150# MI
FAN02162	3	1	FAN; BLOWER, COMBUSTION, W/MOTOR, 1/15 HP, 208-230/60/1
GKT03053	11	1	GASKET; EDGE TRIM, .062 X 9.0 DIAMETER
GKT03131	9	1	GASKET; FIBERGLASS REINF., .125 X 2.76 X 2.00
GKT03283	4	1	GASKET; .060 X 4.16 DIA.
GLS00144	5	1	GLASS; SIGHT, .75 OD X .12 THK
IGN00053	7	1	IGNITOR; CONTROL, 2000F, 115V
NIP00113	19	1	NIPPLE; .50 NPS X 2.70
NUT00009	6	4	NUT; .25-20, HEX LOCK
ORF00394	10	1	ORIFICE; GAS, DRILL #1
PIP00367	18	1	PIPE; .75 NPS X 2.70 LONG
PLT01787	2	1	PLATE; BURNER WELD, 120 135 MBH DOES NOT INCLUDE GASKET, USE GKT1565
PLT02196	14	1	PLATE; ORIFICE
PLT02678	1	1	PLATE; BURNER CAP ASSEMBLY, 10" DRUM
RTR00131	*	1	RETAINER, IGNITOR, WIRE
SCR01564	8	2	SCREW; 10-32 X .38, SPECIAL BUTTONHEAD SOCKET, STAINLESS STL
TUB08351	*	1	TUBE; DRAIN, .19 ID X .06W X 10 INCH, RUBBER
VAL04810	13	1	VALVE; GAS, .50 X .75 NPTI, REDUNDANT

YCD9707

Section 7 - Evaporator Coil Assembly



This is a typical illustration. The unit in the field may not appear exactly as shown.

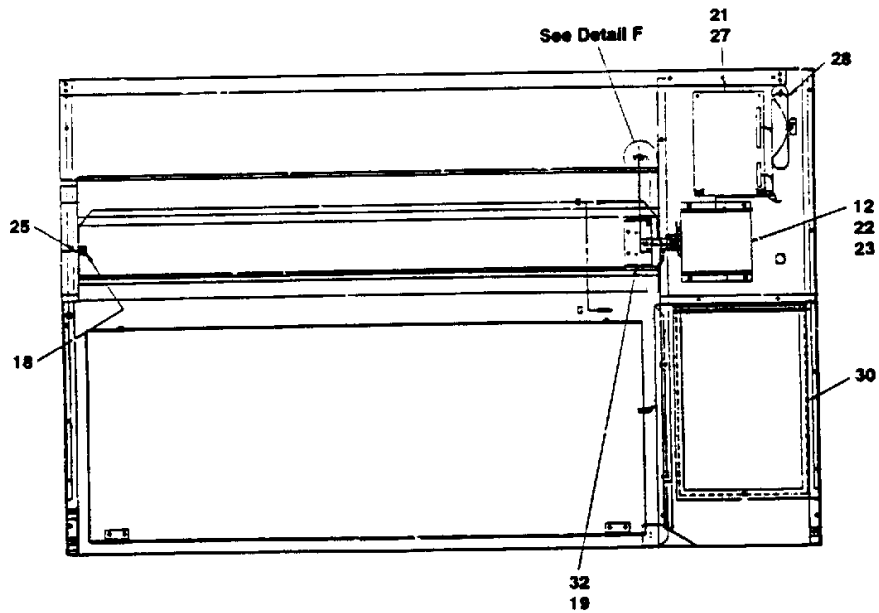
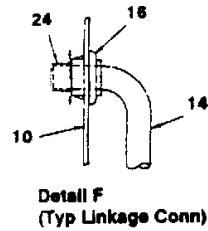
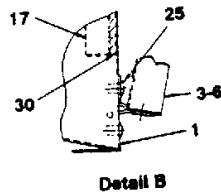
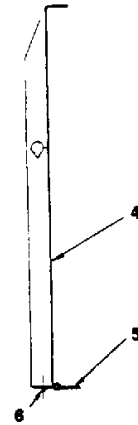
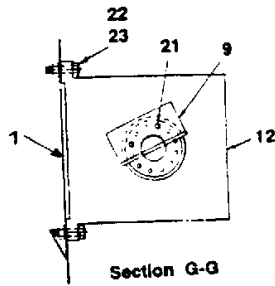
EVAPORATOR COIL ASSEMBLY
 Parts List Number: YCD372#YCDUP372
 Model Number: YCD060C4HABF

Part No.	Reference	Quantity	Description
BOF00112	12	1	BLOCKOFF;FILTER
BOF00594	5	1	BLOCKOFF;INDOOR COIL ACCESS SIDE
BOF00595	6	1	BLOCKOFF;INDOOR COIL REAR
BRK01458	2	1	BRACKET; FILTER TOP
BRK01462	13	1	BRACKET;FILTER SUPPORT
BRK01464	3	1	BRACKET;FILTER BOTTOM
BUS00334	*	1	BUSHING; SNAP, UNIVERSAL .88 MTG W/MAX .56 ID BLACK NYLON, MAX PANEL THICK = .125
COL06245	1	1	COIL;& BLOCKOFF ASSEMBLY COMPLETE
COL06251	8	1	COIL;EVAPORATOR WELD ASSEMBLY
GKT01722	14	0	GASKET;.12 X .75 X 50FT ROLL
GRM00104	19	1	GROMMET; .52 ID X .05 GRV
PAN01977	7	1	PAN; DRAIN, PLASTIC
RTR00093	4	2	RETAINER;FILTER CHANNEL
SCR01067	18	5	SCREW;10 X .50
SCR01074	17	23	SCREW; SHT METAL, 10-16 X .50, HEX WASHER HD
TUB06986	10	1	TUBE; SUCTION HEADER ASSEMBLY
TUB07031	11	1	TUBE; SHORT ORIFICE ASSY

Selected Assembly: db19f08-ab9b-4d84-a20a-9aa13fdc482e
ECONOMIZER ASSEMBLY (BAYECON067BB)
Parts List Number: YCD372#YCDUP372
Model Number: YCD060C4HABF

Section 1 - General Assembly Illustration

ECON2201



This is a typical illustration. The unit in the field may not appear exactly as shown.

ECONOMIZER ASSEMBLY (BAYECON067BB)

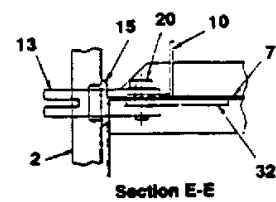
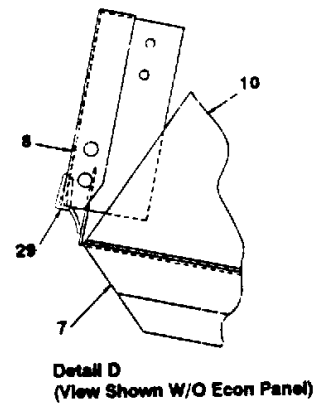
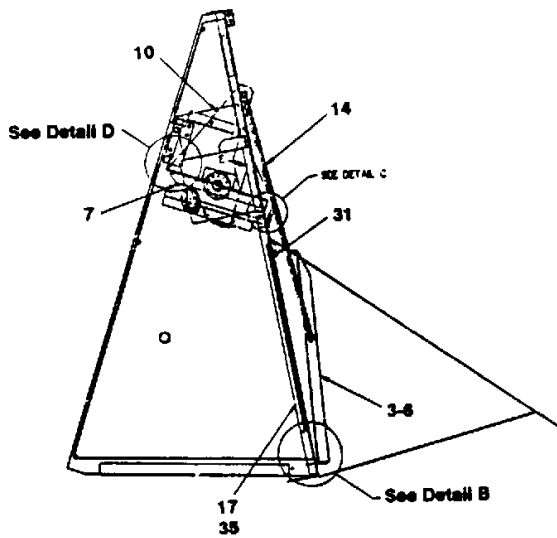
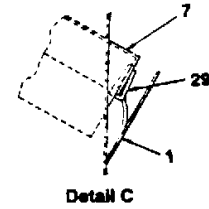
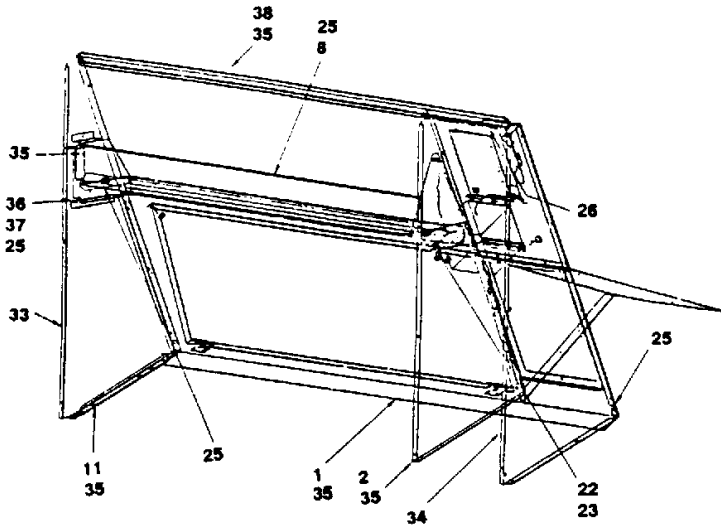
Parts List Number: YCD372#YCDUP372

Model Number: YCD060C4HABF

Part No.	Reference	Quantity	Description
BLD00704	17	1	BLADE;BAROMETRIC RELIEF
BOF00110	4	1	BLOCKOFF;RETURN AIR
BOF00114	3	1	BLOCKOFF;RETURN AIR ASSEMBLY
BRG00300	18	1	BEARING; LINKAGE, PIVOT, FEMALE NYLON, .50 OD X .50 LG
BRG00653	16	1	BEARING, INSERT, DAMPER, .260 BORE
BRK00741	*	1	BRACKET;R.A. BLADE
BRK00821	9	1	BRACKET; ACTUATOR TO DRIVE ROD
BRK00822	10	1	BRACKET;LINKAGE
FLR00785	*	1	FILTER; MIST ELIMINATOR, 1.00 X 13.12 X 42.75
GKT01115	*	0	GASKET; POLYURETHANE, OPEN CELL, .75 THK X .75 W X 25FT. ROLL
GKT01722	30	0	GASKET;.12 X .75 X 50FT ROLL
GRM00039	*	1	GROMMET; RUBBER .25 ID X .05 GRV MLD
HNG00051	5	1	HINGE; 1.42 X 1.50 LG
HOD00117	*	1	HOOD;BAROMETRIC RELIEF
MOD00192	27	1	MODULE, ECONOMIZER (UEM)
NUT00004	23	4	NUT; 10-32, HEX LOCK
NUT00338	24	2	NUT; .25- , PUSH ON SPRING STEEL, IF PIN REQUIRED, ORDER PIN00092
OPR00064	12	1	OPERATOR; DAMPER, SPRING RETURN, 24V, 90 DEG STROKE, CCW
PLT01154	32	1	PLATE;OUTSIDE AIR BLADE BACK-UP
PNE02705	1	1	PANEL, ECONOMIZER REAR
PNN03524	1	1	PANEL;ECONOMIZER REAR
RIV00009	6	1	RIVET; 3/16', ALUMINUM, BLIND AD64BS
RIV00009	25	0	RIVET; 3/16', ALUMINUM, BLIND AD64BS
ROD00491	14	1	ROD;
SCR00909	21	2	SCREW, 6-32 X .75
SCR01417	22	4	SCREW, 10-32 X .75, HEX MACH
SCR01474	19	1	SCREW;
SEL00421	*	1	SEAL; CLEAR SILICONE 10.8 OZ.
SEN00372	*	1	SENSOR; THERMISTOR PROBE, -40 TO 65C
SEN00500	*	1	SENSOR; THERMISTOR USE SEN0372 FOR SENSOR ONLY
TIE00005	*	1	TIE; WIRE, .06-1.75 DIA
WIR02155	28	1	WIRE;HARNESS, ECONOMIZER

Section 1 - General Assembly Illustration, Continued

ECON2202



This is a typical illustration. The unit in the field may not appear exactly as shown.

ECONOMIZER ASSEMBLY, CONT'D
 Parts List Number: YCD372#YCDUP372
 Model Number: YCD060C4HABF

Part No.	Reference	Quantity	Description
ANG00617	8	1	ANGLE;OUTSIDE AIR SEALING BLADE
BLD00704	17	1	BLADE;BAROMETRIC RELIEF
BOF00110	4	1	BLOCKOFF;RETURN AIR
BOF00114	3	1	BLOCKOFF;RETURN AIR ASSEMBLY
BRG00271	15	1	BEARING; DAMPER, MOLDED, .45 ID X .31 LG
BRK00822	10	1	BRACKET;LINKAGE
BRK01534	36	1	BRACKET;ECONOMIZER PANEL
BRK01535	*	1	BRACKET;ECONOMIZER
CLP00190	26	1	CLIP; FLEXIBLE TRIM 10 FT LONG
CNL00041	38	1	CHANNEL;MIST ELIMINATOR
FLR00785	*	1	FILTER; MIST ELIMINATOR, 1.00 X 13.12 X 42.75
GKT01873	29	2	GASKET;33.26IN. LG
HNG00051	5	1	HINGE; 1.42 X 1.50 LG
INS01674	37	1	INSULATION; 1.0T X 4.94W X 7.75
N/A	31	0	SEE PRIDE FOR DESCRIPTION
NUT00701	23	5	NUT;
PLT01154	32	1	PLATE;OUTSIDE AIR BLADE BACK-UP
PNE02705	1	1	PANEL, ECONOMIZER REAR
PNE02706	33	1	PANEL, SIDE ECONOMIZER
PNE02707	34	1	PANEL, SIDE ECONOMIZER
PNN03277	7	1	PANEL;OUTSIDE AIR
PNN03525	2	1	PANEL;SEPARATOR SUPPORT, ECONOMIZER
RIV00009	6	1	RIVET; 3/16', ALUMINUM, BLIND AD64BS
RIV00009	25	0	RIVET; 3/16', ALUMINUM, BLIND AD64BS
ROD00491	14	1	ROD;
ROD00580	13	1	ROD; STEEL, .44 DIA X 1.94 LG
SCR00709	20	1	SCREW, 10-24 X .50
SCR01474	22	5	SCREW;
SCR01474	35	0	SCREW;
SPC00185	11	1	SPACER;MIST ELIMINATOR

VOYAGER

75012144

REV.
A

OPTIONAL FIELD INSTALLED ACCESSORIES

ACCESSORY TYPE

ECON = Economizer	ISLT = Isolator
ASCT = Anti-Cycle Timer	KSKT = Start Accessory Kit
BARM = Barometric Relief	LEGS = Snow Legs
BASE = Base	LIFT = Roof Mount Kit
BURN = Burner	LOAM = Low Ambient
CTHI = Board-Convention Interface	LPKT = L.P. Kit
CURB = Roofcurb	MOTR = Low Ambient Motor Kit
CCHT = Crankcase Heater	NXKT = No Oxide Kit
DFSR = Air Diffuser	PLNM = Plenum
DMPR = SS Damper	PLUS = Plus One Kit
DNKT = Downflow Kit	PSMN = Power Supply Monitor Kit
FCCV = Flow Control Check Valve	PWRX = Power Exhaust
FLSW = Flow Switch	QACB = Quick Adapt Curb
FLTR = Filter	RLAY = Relay
FRST = High Temperature Sensor	SENS = Sensor
GARD = Coil Guard	SPEK = Single Source Power Entry
HALT = High Altitude Kit	STAT = Thermostat
HSDR = Optimized Sheave Accessory	STMT = Elapsed Time Meter
HSMT = Oversized Motor Kit or High Static Motor	TBKT = Thru Base Utility Kit
HTR = Electric Heater (Digit 7 is used to differentiate the products accessory is used with)	TEST = Test Accessory
ICSI = Board Communication Interface	TIME = ICS Interface Kit
	TXVA = Thermal Expansion Valve Kit
	TXVH = Thermal Expansion Valve Kit
	VDPR = Vent Damper
	WATR = Hot Water or Steam Coil
	2STG = 2 Stage Gas

**When identifying accessories please
refer to WAVE94591.**

OPTIONAL FIELD INSTALLED ACCESSORIES

Parts List Number: YCD372#YCDUP372

Model Number: YCD060C4HABF

Part No.	Reference	Quantity	Description
----------	-----------	----------	-------------