

Selected Assembly: root  
Model Number: TCD121C40CAA

Selected Assembly: dbb8fdd8-0216-4e0f-be61-74cedbb4d807

TCDUP213A PARTS LIST

Parts List Number: TCD213A0#TCDUP213A

Model Number: TCD121C40CAA

TCDUP213A PARTS LIST

Parts List Number: TCD213A0#TCDUP213A

Model Number: TCD121C40CAA

Part No.	Reference	Quantity	Description
----------	-----------	----------	-------------

<p style="font-size: 1.2em; margin: 0;">Model Nomenclature</p>	75000905	<div style="border: 1px solid black; padding: 2px; display: inline-block; font-size: 0.8em;">REV D</div>																								
<table style="margin: 0 auto; border: none;"> <tr> <td style="padding: 0 10px;">Y</td><td style="padding: 0 10px;">C</td><td style="padding: 0 10px;">D</td><td style="padding: 0 10px;">0</td><td style="padding: 0 10px;">9</td><td style="padding: 0 10px;">0</td><td style="padding: 0 10px;">A</td><td style="padding: 0 10px;">3</td><td style="padding: 0 10px;">L</td><td style="padding: 0 10px;">0</td><td style="padding: 0 10px;">A</td><td style="padding: 0 10px;">A</td> </tr> <tr> <td style="padding: 0 10px;">1</td><td style="padding: 0 10px;">2</td><td style="padding: 0 10px;">3</td><td style="padding: 0 10px;">4</td><td style="padding: 0 10px;">5</td><td style="padding: 0 10px;">6</td><td style="padding: 0 10px;">7</td><td style="padding: 0 10px;">8</td><td style="padding: 0 10px;">9</td><td style="padding: 0 10px;">10</td><td style="padding: 0 10px;">11</td><td style="padding: 0 10px;">12</td> </tr> </table>			Y	C	D	0	9	0	A	3	L	0	A	A	1	2	3	4	5	6	7	8	9	10	11	12
Y	C	D	0	9	0	A	3	L	0	A	A															
1	2	3	4	5	6	7	8	9	10	11	12															
<p>Digits 1,2 Product Type          YC = Packaged Gas/Electric          YG = Packaged Gas/Electric (Gemini)          TC = Packaged Cooling          WC = Packaged Heat Pump</p>	<p>Digit 8 Electrical Characteristics          1 = 208-230/60/1          3 = 208-230/60/3          4 = 460/60/3, 380-415/50/3          D = 380-415/50/3          K = 380/60/3          T = 200/50/3          W = 575/60/3</p>	<p>Digit 3 Airflow Configuration          D = Downflow          H = Horizontal</p>																								
<p>Digits 4,5,6 Nominal Gross Cooling Capacity(MBh)          036 = 3 Tons (STD)          037 = 3 Tons (High Efficiency)          048 = 4 Tons (STD)          049 = 4 Tons (High Efficiency)          060 = 5 Tons (STD)          061 = 5 Tons (High Efficiency)          074 = 6 1/4 Tons (STD)          075 = 6 1/4 Tons (High Efficiency)          090 = 7 1/2 Tons (STD)          091 = 7 1/2 Tons (High Efficiency)          102 = 8 1/2 Tons (STD)          103 = 8 1/2 Tons (High Efficiency)          120 = 10 Tons (STD)          121 = 10 Tons (High Efficiency)          126 = 10 Tons (Gemini)          150 = 12 1/2 Tons (STD)          151 = 12 1/2 Tons (High Efficiency)          180 = 15 Tons (STD)          181 = 15 Tons (High Efficiency)          186 = 15 Tons (Gemini)          210 = 17 1/2 Tons (STD)          211 = 17 1/2 Tons (High Efficiency)          240 = 20 Tons (STD)          241 = 20 Tons (High Efficiency)          246 = 20 Tons (Gemini)          300 = 25 Tons (STD)          301 = 25 Tons (High Efficiency)</p>	<p>Digit 9 Secondary Capacity          0 = No Heat          L = Low Heat          M = Medium Heat          H = High Heat</p>	<p>Digit 10 Factory Installed Options Examples:          0 = No Factory Installed          A = Factory Installed Economizer          B = Oversize          C = Oversize and Economizer          D = Installed TIM-E W/Oversize Motor          E = Factory Installed Economizer W/TIM-E          F = Factory Installed TCI          G = Factory Installed Economizer W/TCI</p>																								
<p>Digit 7 Major Development Sequence</p>	<p>Digit 11 Minor Design Sequence</p>	<p>Digit 12 Service Digit</p>																								

MODEL NUMBER NOMENCLATURE

Parts List Number: TCD213A0#TCDUP213A

Model Number: TCD121C40CAA

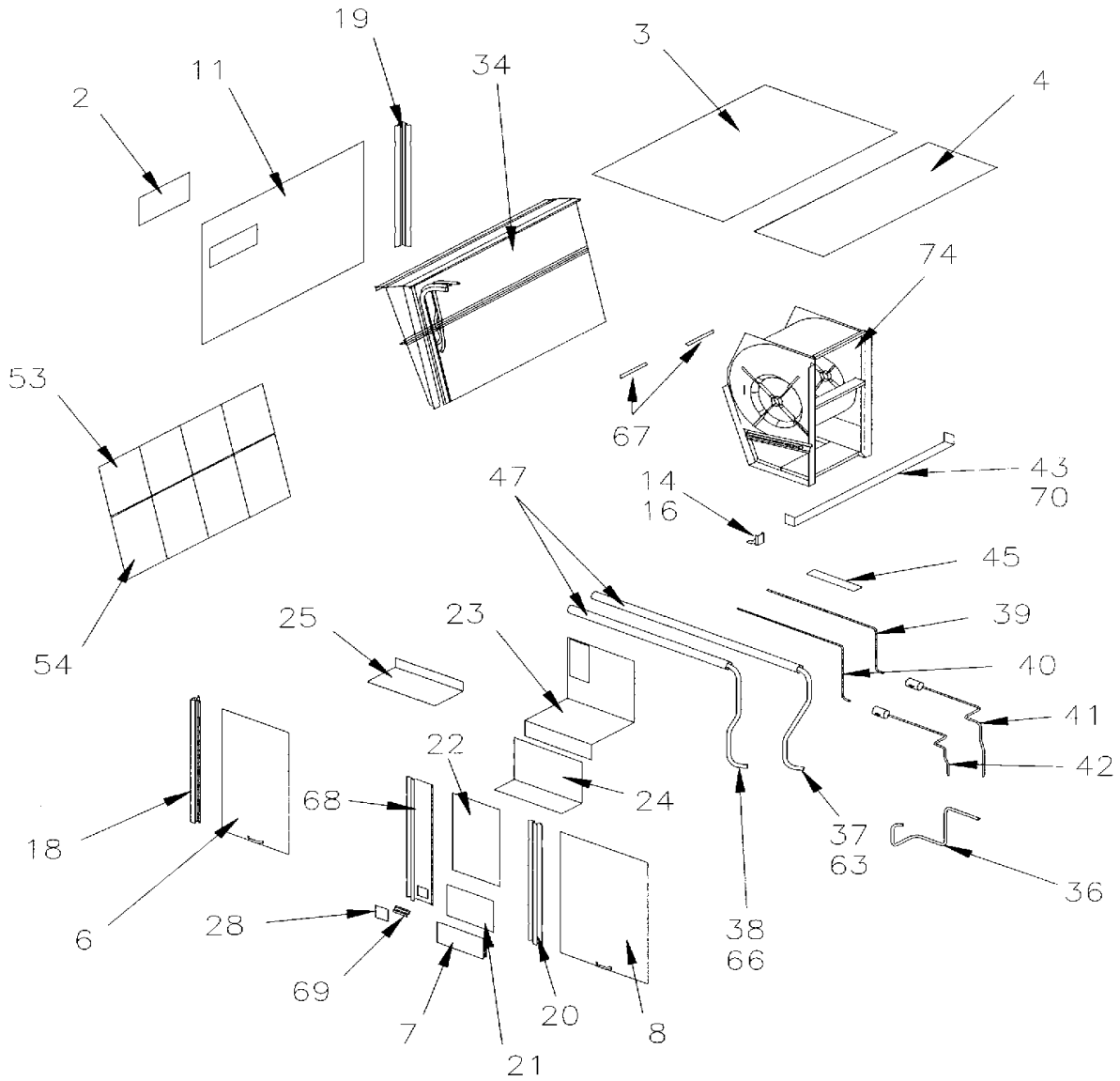
Part No.	Reference	Quantity	Description
----------	-----------	----------	-------------

General Assembly

75003116

REV  
A

Typical illustration. Unit may not appear exactly as shown.



GENERAL ASSEMBLY VIEW 1  
Parts List Number: TCD213A0#TCDUP213A  
Model Number: TCD121C40CAA

Part No.	Reference	Quantity	Description
ANG00927	*	1	ANGLE; BOTTOM COIL SUPPORT
BOF00222	14	1	BLOCKOFF; CORNER POST
BOF00268	43	1	BLOCKOFF; AIR ASSY
BOF00270	45	1	BLOCKOFF; AIR ASSY
BOF00388	25	1	BLOCKOFF;HEAT SECTION ASSEMBLY
BRK01996	69	1	BRACKET; LEFT HAT SECTION
BRK02400	*	1	BRACKET; DRAIN PAN END
CNL00282	20	1	CHANNEL; HEAT SECTION ASSEMBLY
CNT01584	63	1	CONTROL; LOW PRESSURE, OPEN 7, CLOSE 22 PSI, 55 LEAD LENGTH
CNT01585	66	1	CONTROL, LOW PRESSURE, 7 OPEN/22 CLOSE
COV01353	2	1	COVER, MANUAL FRESH AIR, 24.42 X 11.71
COV01377	3	1	COVER, EVAPORATOR TOP ASSEMBLY
COV01378	4	1	COVER, HEAT SECTION TOP ASSEMBLY
FLR00063	53	4	FILTER; 20X25X2
FLR00099	54	2	FILTER, 20X20X2
GKT02118	16	1	GASKET; .25 THK X 3.00 X 4.00
GRM00271	*	1	GROMMET; .90 ID X .06 GROOVE
INS00785	47	2	INSULATION; 1.12 ID X .38W X 6FT. LG
PNN01115	6	1	PANEL; EVAPORATOR, ACCESS, ASSEMBLY
PNN01118	8	1	PANEL; CONDENSER, SECTION ACCESS
PNN01121	11	1	PANEL; LEFT END, ASSEMBLY
PNN02109	28	1	PANEL; POWER INLET ASSEMBLY
PNN02151	23	1	PANEL;TOP VESTIBULE
PNN02153	24	1	PANEL;BOTTOM VESTIBULE
PNN08134	7	1	PANEL, LOWER ACCESS HEAT SECTION
PNN08136	21	1	PANEL, SLIDING ACCESS HEAT SECTION
PNN08138	22	1	PANEL, UPPER ACCESS HEAT SECTION
RIV00009	*	2	RIVET; 3/16', ALUMINUM, BLIND AD64BS
SCR01498	70	14	SCREW; 10-16 X .50 SHEET METAL
SHD00298	*	1	SHIELD; DRIP SUCTION LINE
SUP01474	18	1	SUPPORT;CORNER POST FRONT ASSEMBLY
SUP01475	19	1	SUPPORT;CORNER POST REAR ASSEMBLY
SUP02915	68	1	SUPPORT; LEFT HAT SECTION ASSEMBLY
SUP03282	67	2	SUPPORT; FAN AND COIL
TER00312	*	26	TERMINAL; 8IN. TIE CABLE
TUB04915	41	1	TUBE; LIQUID CHECK (INCLUDES DHY00225)
TUB04925	39	1	TUBE; LIQUID, DRIER TO COLLECTOR
TUB07875	36	1	TUBE; DISCHARGE LINE ASSEMBLY
TUB08029	42	1	TUBE; LIQUID ASSEMBLY (INCLUDES DHY00225)
TUB08094	40	1	TUBE; LIQUID (DRIER TO COLLECTOR)
TUB08923	37	1	TUBE; SUCTION CKT 1
TUB08924	38	1	TUBE; SUCTION CKT 2

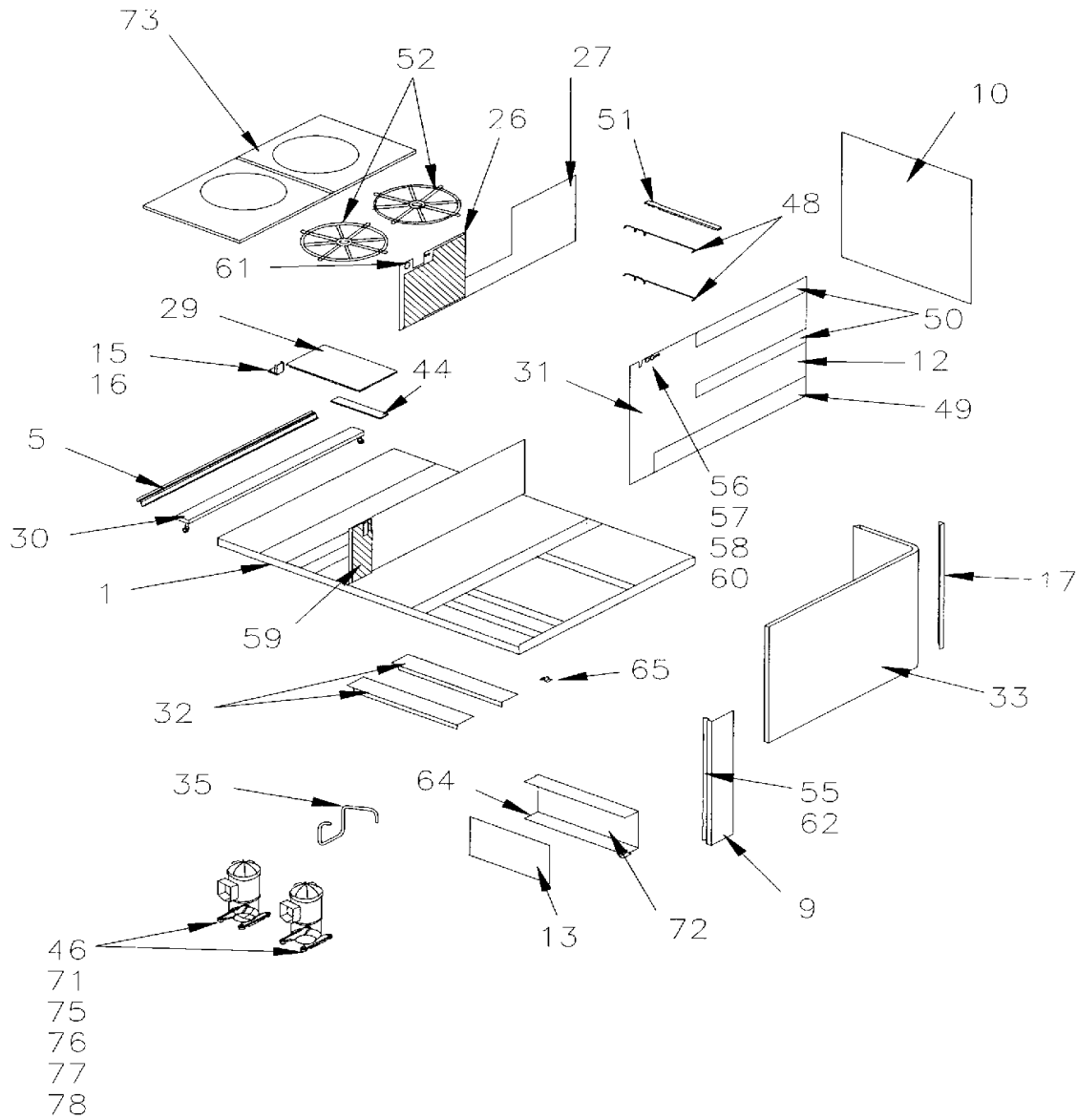


General Assembly

75003117

REV  
A

Typical illustration. Unit may not appear exactly as shown.



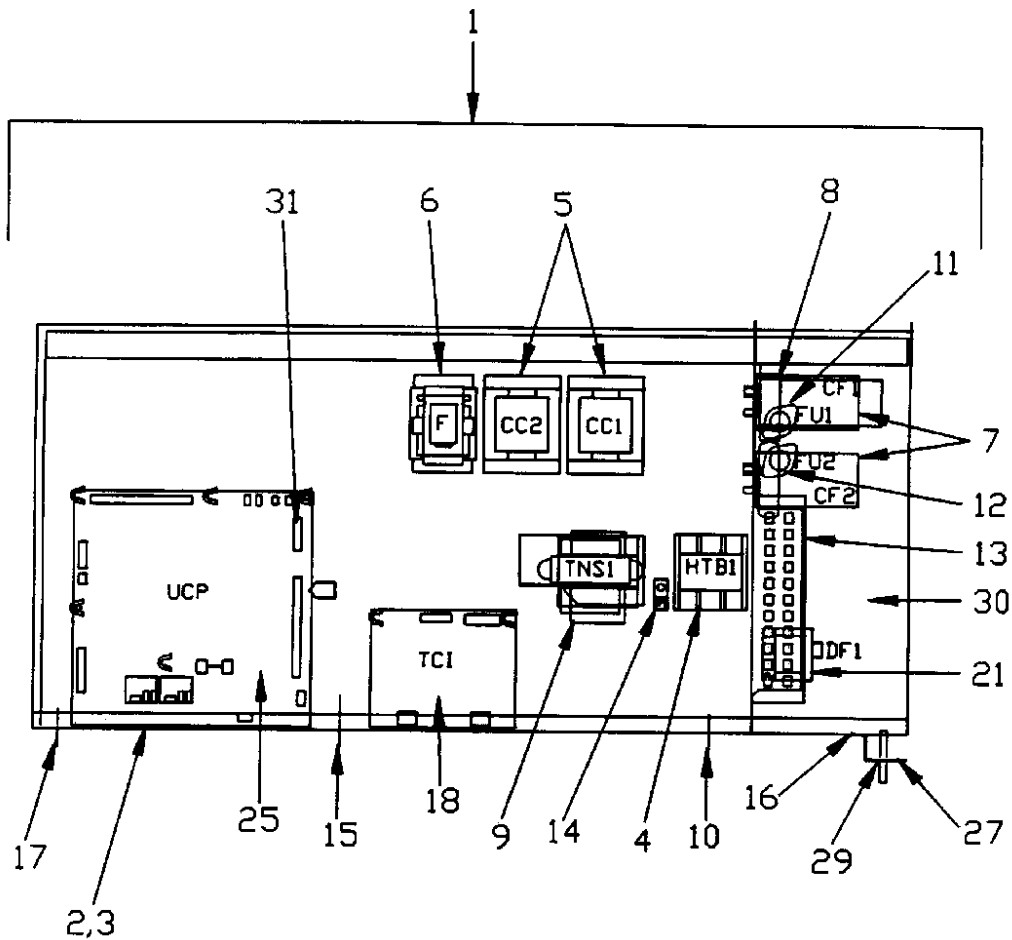
GENERAL ASSEMBLY VIEW 2  
Parts List Number: TCD213A0#TCDUP213A  
Model Number: TCD121C40CAA

Part No.	Reference	Quantity	Description
BAS01477	1	1	BASE; ASSEMBLY
BOF00223	15	1	BLOCKOFF; CORNER POST
BOF00247	5	1	BLOCKOFF; ID COIL BOTTOM ASSY
BOF00269	44	1	BLOCKOFF; AIR ASSY
BOF00389	26	1	BLOCKOFF;TOP INDOOR FAN FRONT ASSEMBLY
BOF00390	27	1	BLOCKOFF;TOP INDOOR FAN REAR
BRK01241	32	2	BRACKET;LIFT ASSEMBLY
BTN00037	59	1	BUTTON; 1.00 DIA HOLE
BUS00178	62	1	BUSHING; SNAP, .88 MTG. W/.69 HOLE
BUS00334	56	4	BUSHING; SNAP, UNIVERSAL .88 MTG W/MAX .56 ID BLACK NYLON, MAX PANEL THICK = .125
BUS00338	57	1	BUSHING; SNAP, 2.00 INCH OD X 1.63 ID, MAX PANEL THICKNESS 0.125, BLACK NYLON
BUS00397	61	1	BUSHING; SNAP, 2.25 INCH OD X 1.97 ID, MAX PANEL THICKNESS 0.25, BLACK NYLON
CMP00225	31	2	CLAMP; TUBE .50 DIA
COL07088	33	1	COIL; CONDENSER ASSEMBLY, COMPLETE
COM03755	71	2	COMPRESSOR; GP513-JK4-G*, 4.25 TON, 460/60/3, 380-415/50/3 (1.75-12 SUCTION 1.25-12 DISCHARGE)
COV01051	77	1	COVER;
GKT02118	16	1	GASKET; .25 THK X 3.00 X 4.00
GRD00450	52	2	GUARD; FAN, 27.5 DIA
GRM00106	60	1	GROMMET; .88 ID X .05 GRV
GRM00108	76	1	GROMMET; 1.0 OD X .08 GRV
GRM00187	58	2	GROMMET; 1.31 ID X .06 GRV
HTR01678	75	1	HEATER; ELECTRIC, CRANKCASE, 67W, 460V
IRT00017	64	0	INSERT; BUMPER-STOP, 0.468 OD X 0.81 LG, BLACK RUBBER
MNT00639	46	6	MOUNT, COMPRESSOR
PAN01976	30	1	PAN; DRAIN, 70.1"
PLU00349	55	1	PLUG; 1.38 DIA HOLE, .12 THK PANEL, MOLDED PLASTIC
PNN01593	13	1	PANEL;FRONT
PNN01643	9	1	PANEL; COMPRESSOR, END
PNN02146	12	1	PANEL; DIVIDER HEAT OD.
PNN02177	10	1	PANEL; REAR, ASSEMBLY
PNN08139	49	1	PANEL, INSULATION RETAINER
RTR00127	51	3	RETAINER, INSULATION
SRP00213	65	1	STRAP; .625 OD TUBE SIZE
SUP01473	17	1	SUPPORT; CORNER POST OD SECTION
SUP01479	29	1	SUPPORT;EVAPORATOR FAN
SUP01698	48	2	SUPPORT;ELECTRIC HEATER BRACKET
TUB07184	35	1	TUBE; DISCHARGE ASSEMBLY
WAS00720	50	9	WASHER; .375 ID X 2.00 OD

# Control Panel Assembly

75000924

REV  
A



LEGEND	
CC	Compressor Contactor
CF	Fan Motor Capacitor
F	Indoor Fan Relay
FU	Fuse
HTB	High Voltage Terminal Block
DDF	Condenser Fan Relay
TNS	Transformer
TCI	Trane Communication Interface
UCP	Unitary Control Processor

**\*NOT ILLUSTRATED**

This is a typical illustration. The unit in the field may not appear exactly as shown.

CONTROL PANEL ASSEMBLY  
 Parts List Number: TCD213A0#TCDUP213A  
 Model Number: TCD121C40CAA

Part No.	Reference	Quantity	Description
BAF00354	27	1	BAFFLE; AIR SENSOR BRACKET
BLK00362	4	1	BLOCK; TERMINAL, 3 POLE 175 AMP, 600 VOLT
BLK00496	13	1	BLOCK; 22-POLE TERMINAL
BRK00348	8	2	BRACKET;CAPACITOR STRAP
BUS00181	15	1	BUSHING; SNAP, 1.75 INCH OD X 1.38 ID, MAX PANEL THICKNESS 0.125, BLACK NYLON
BUS00269	17	1	BUSHING; 1.31 ID X .45 LG SNAP BUSHING
BUS00367	16	1	BUSHING; SNAP, 1.09 ID
CON00077	14	1	CONNECTOR, ELECTRIC GROUND, 14-2 AWG SOLDERLESS
CON00482	10	1	CONNECTOR; PLUG, 1.75 MTG HOLE, SNAP-IN
CPN01640	1	1	CONTROL; PANEL ASSEMBLY COMPLETE
CPT00088	7	2	CAPACITOR; RUN, 10 MFD, 440V OVAL, W/O RESISTOR
CTR00522	5	2	CONTACTOR; 30 AMP, 24V COIL, 3 POLE
CTR00793	6	1	CONTACTOR; 2P, 35A INDUCTIVE, 240-600V, 24V COIL,50/60HZ
FUS00853	31	1	FUSE, TIME DELAY, DUAL ELEMENT, 32 VOLT, MDL-4
GRM00039	*	1	GROMMET; RUBBER .25 ID X .05 GRV MLD
INS00799	*	1	INSULATION; .03 THK, FISCH PAPER
MOD00380	25	1	MODULE, UNITARY CONTROL PROCESSOR, DUAL COMPRESSOR THIS MODULE USED ON VOYAGER SINGLE AND DUAL COMPRESSOR UNIT.
PNE09245	30	1	PANEL; TERMINAL STRIP
PNN03596	2	1	PANEL;CONTROL BOX (SHORT)
PNN03597	3	1	PANEL;CONTROL MOUNTING (SHORT)
RLY00969	21	1	RELAY; POWER DUTY, SWITCHING, DPDT, 6A AT 240V, 24V COIL
SCR00906	*	34	SCREW; 8-32 X .50
SCR00909	*	4	SCREW, 6-32 X .75
TER00311	*	9	TERMINAL; 4 1/2IN. TIE CABLE
TER00312	*	3	TERMINAL; 8IN. TIE CABLE
TRR00826	9	1	TRANSFORMER; 75 VA, 460-575V PRI, 24V SEC
WAS00611	*	2	WASHER;LOCK, .19 ID X .39 OD
WIR01409	*	1	WIRE;HARNESS-UNIT POWER
WIR02009	*	1	WIRE;HARNESS-CONTROL PANEL
WIR02025	13	1	WIRE;HARNESS, CONTROL PANEL



EVAPORATOR FAN ASSEMBLY  
 Parts List Number: TCD213A0#TCDUP213A  
 Model Number: TCD121C40CAA

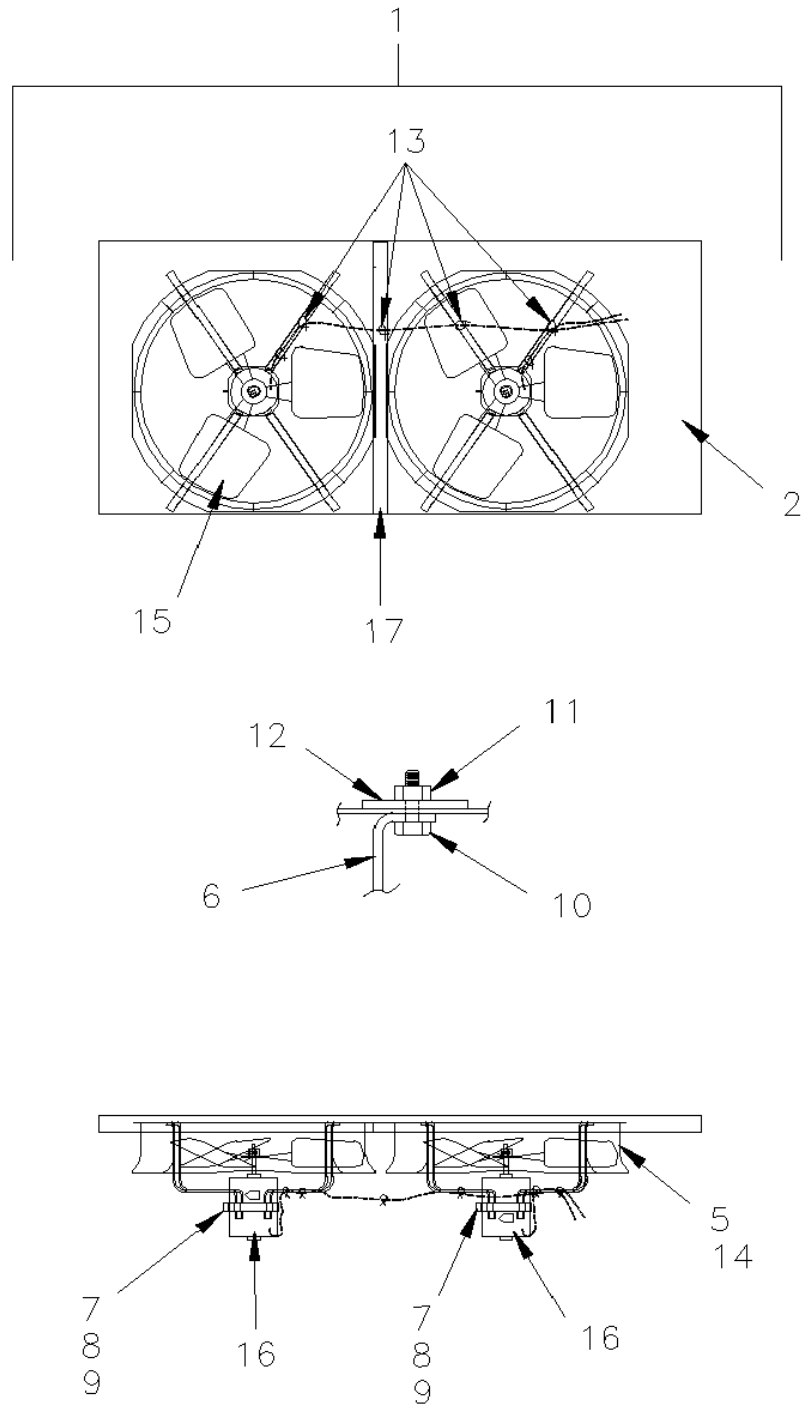
Part No.	Reference	Quantity	Description
B00195	14	1	BELT; BX60, V-BELT, 63.0 OUTSIDE LG. X 61.8 PITCH LG.
BLK00288	16	1	BLOCK; TERMINAL, 3 POLE, 20 AMP, 300V
BLT00217	10	1	BOLT, .38-16 X 2.50
BRG00740	15	2	BEARING; CARTRIDGE, BALL 1.00 BORE
BRK01161	2	8	BRACKET; BEARING ARM
BUS00269	24	1	BUSHING; 1.31 ID X .45 LG SNAP BUSHING
CON00306	28	1	CONNECTOR; .75 NOM
FAN02578	1	1	FAN; EVAPORATOR ASSEMBLY COMPLETE
GER00321	6	1	GEAR; IDLER
GKT01722	19	2	GASKET;.12 X .75 X 50FT ROLL
GKT01722	25	1	GASKET;.12 X .75 X 50FT ROLL
HUS03268	2	1	HOUSING; EVAPORATOR FAN WELD ASSEMBLY
INS00572	26	1	INSULATION;.30 THICK
KEY00299	18	2	KEY; 1/4 IN X 1/4 IN X 1 IN
KEY00300	30	1	KEY; 1/4 IN X 1/4 IN X 1-1/2 IN
MOT03759	4	1	MOTOR; 3.0 HP, 208-230-400-460/50-60/3, 1400-1740 RPM, ODP, 145T, BB
NUT00150	8	1	NUT; HEX, SELF LOCKING, .38-16
NUT00248	*	2	NUT; LOCK, .31-18
NUT00587	9	1	NUT; HEX CAP, 38-16
PLU00439	27	1	PLUG; RUBBER
SCR01623	21	8	SCREW; SHEET METAL, 10-16 UNC X 1/2, HIGH TORQUE, INDENT HEX-WASHER HEAD
SHE00554	11	1	SHEAVE; 1VP44, 7/8IN. BORE
SHE00985	12	1	SHEAVE; SINGLE GROOVE, 6.5IN. PITCH DIA, 1IN. BORE, BK72
SHE01565	5	1	SHEAVE; STEEL IDLER, V-BELT, 3/8
SHF01504	13	1	SHAFT; FAN, 1 X 22.295
SLV00094	29	1	SLEEVE, .75 NOM
SPC00328	*	2	SPACER; .31 ID X .66 OD
SUP04426	31	1	SUPPORT; IDLER
WAS00011	*	4	WASHER; 0.375 ID X .875 OD X .083 THK
WAS00011	7	1	WASHER; 0.375 ID X .875 OD X .083 THK
WHL00625	3	1	WHEEL; FAN, STEEL, 15 DIA X 15 LG, 1.0 BORE, BELT
WIR01118	17	1	WIRE;MOTOR EXTENSION HARNESS

Condenser Fan and Orifice Assembly

75003108

REV  
A

Typical illustration. Unit may not appear exactly as shown.



## CONDENSER FAN AND ORIFICE ASSEMBLY

Parts List Number: TCD213A0#TCDUP213A

Model Number: TCD121C40CAA

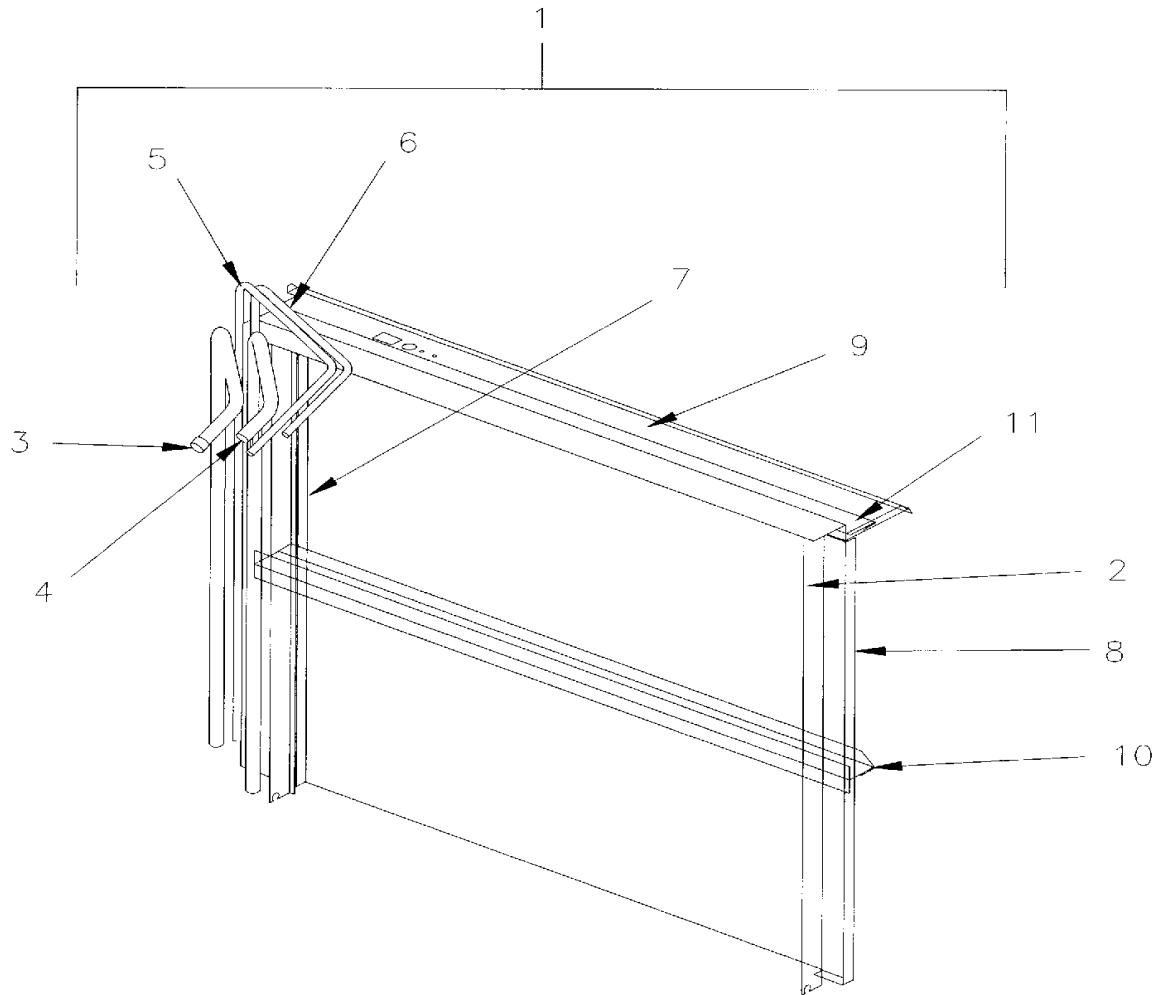
Part No.	Reference	Quantity	Description
BRK01160	7	2	BRACKET, MOTOR MOUNT
BRK01632	6	8	BRACKET;MOTOR MOUNT, 13.77 LEG
COV01349	2	1	COVER, CONDENSER FAN
FAN01531	15	2	FAN;3 BLADE,ALUM,26 DIA, 22-25 DEG,.50 BORE,CW
FAN01578	1	1	FAN;ASSEMBLY, CONDENSER
MOT03775	16	2	MOTOR; 1/2 HP, 400-460/50-60/1, 1100/925 RPM, CCW, 48 FRAME, BALL BEARING, 10 MFD CPT AT 440V
NUT00009	9	2	NUT; .25-20, HEX LOCK
NUT00755	11	8	NUT; HEX LOCK, .31-18
ORF00576	5	2	ORIFICE;CONDENSER FAN
SCR01342	8	2	SCREW; .25-20 X 1.75 HEX MACHINE
SCR01583	10	8	SCREW;HEX CAP,.31-18X.75 HEX CAP,.31-18X.75
SCR01623	14	30	SCREW; SHEET METAL, 10-16 UNC X 1/2, HIGH TORQUE, INDENT HEX-WASHER HEAD
SUP02788	17	1	SUPPORT, ANGLE
TER00312	13	6	TERMINAL; 8IN. TIE CABLE
WAS00718	12	8	WASHER; .312 ID X 1.75 OD

Evaporator Coil Assembly

75003118

REV  
A

Typical illustration. Unit may not appear exactly as shown.



EVAPORATOR COIL ASSEMBLY  
 Parts List Number: TCD213A0#TCDUP213A  
 Model Number: TCD121C40CAA

Part No.	Reference	Quantity	Description
BOF01176	7	1	BLOCKOFF; EVAPORATOR COIL FRONT
BOF01177	8	1	BLOCKOFF; EVAPORATOR COIL REAR
BOF01178	9	1	BLOCKOFF; EVAPORATOR COIL TOP
BRK02399	11	1	BRACKET; TOP FILTER RACK
CNL00733	10	2	CHANNEL; FILTER RACK
COL09673	1	1	COIL; EVAPORATOR ASSEMBLY COMPLETE
COL09674	2	1	COIL; EVAPORATOR - WELD ASSEMBLY
GKT01115	*	1	GASKET; POLYURETHANE, OPEN CELL, .75 THK X .75 W X 25FT. ROLL
SCR01623	*	20	SCREW; SHEET METAL, 10-16 UNC X 1/2, HIGH TORQUE, INDENT HEX-WASHER HEAD
SEL00383	*	1	SEAL;FOAM TAPE, NEOPRENE CLOSED CELL, 1/4 X 3/4 X 50 FEET
TUB08877	6	1	TUBE; LIQUID HEADER ASSEMBLY
TUB08878	5	1	TUBE; LIQUID HEADER ASSEMBLY
TUB08921	3	1	TUBE; SUCTION HEADER ASSEMBLY, CKT 2
TUB08922	4	1	TUBE; SUCTION HEADER ASSEMBLY, CKT 1

Selected Assembly: 7aa48aa1-db11-4f6e-b7c0-4c410dfe0eac

ECONOMIZER

Parts List Number: TCD213A0#TCDUP213A

Model Number: TCD121C40CAA

ECONOMIZER

75003840

REV  
A

FOR IDENTIFICATION OF  
ECONOMIZER PARTS, THE  
FOLLOWING MODEL NUMBER  
SHOULD BE ENTERED INTO  
CATS.

BAYECON062BB

ECONOMIZER

Parts List Number: TCD213A0#TCDUP213A

Model Number: TCD121C40CAA

Part No.	Reference	Quantity	Description
----------	-----------	----------	-------------

VOYAGER

75012144

REV  
A

OPTIONAL FIELD INSTALLED ACCESSORIES

ACCESSORY TYPE

ECON = Economizer	ISLT = Isolator
ASCT = Anti-Cycle Timer	KSKT = Start Accessory Kit
BARM = Barometric Relief	LEGS = Snow Legs
BASE = Base	LIFT = Roof Mount Kit
BURN = Burner	LOAM = Low Ambient
CTHI = Board-Convention Interface	LPKT = L.P. Kit
CURB = Roofcurb	MOTR = Low Ambient Motor Kit
CCHT = Crankcase Heater	NXKT = No Oxide Kit
DFSR = Air Diffuser	PLNM = Plenum
DMPR = SS Damper	PLUS = Plus One Kit
DNKT = Downflow Kit	PSMN = Power Supply Monitor Kit
FCCV = Flow Control Check Valve	PWRX = Power Exhaust
FLSW = Flow Switch	QACB = Quick Adapt Curb
FLTR = Filter	RLAY = Relay
FRST = High Temperature Sensor	SENS = Sensor
GARD = Coil Guard	SPEK = Single Source Power Entry
HALT = High Altitude Kit	STAT = Thermostat
HSDR = Optimized Sheave Accessory	STMT = Elapsed Time Meter
HSMT = Oversized Motor Kit or High Static Motor	TBKT = Thru Base Utility Kit
HTR = Electric Heater (Digit 7 is used to differentiate the products accessory is used with)	TEST = Test Accessory
ICSI = Board Communication Interface	TIME = ICS Interface Kit
	TXVA = Thermal Expansion Valve Kit
	TXVH = Thermal Expansion Valve Kit
	VDPR = Vent Damper
	WATR = Hot Water or Steam Coil
	2STG = 2 Stage Gas

**When identifying accessories please  
refer to WAVE94591.**

OPTIONAL FIELD INSTALLED ACCESSORIES

Parts List Number: TCD213A0#TCDUP213A

Model Number: TCD121C40CAA

Part No.	Reference	Quantity	Description
----------	-----------	----------	-------------