

Selected Assembly: root

Model Number: SFHFC604HV44A57D1C01A0000G0K0000T000600#

IMPORTANT
**REVIEW THE DESIGN SPECIAL SECTION
FIRST TO VERIFY WHAT IS SPECIAL ON THIS
UNIT.**



The screenshot shows a software interface with four buttons: "Unit Info", "Keyword Index", "Total Index", and "Add to Bookmarks". Below the buttons, there is a blue text line: "Equipment Model Number: SFHLF704PR77#9AEA001ACC0000000000008600#". A red rectangular box highlights a blue text line below that: "*****IMPORTANT-READ GRAPHIC-DESIGN SPECIAL PARTS*****".

This unit contains options that are non-standard to the model # design. The service parts for this specific unit are listed under the "Design Special" section. If the part is not addressed in the "Design Special" sub-sections, proceed to the standard sections below.

*****IMPORTANT-READ GRAPHIC-DESIGN SPECIAL PARTS*****

Parts List Number: SAHF2000#SAHFUP4

Model Number: SFHFC604HV44A57D1C01A0000G0K0000T000600#

Part No.	Reference	Quantity	Description
----------	-----------	----------	-------------

Selected Assembly: b7a49fb1-6d3b-448c-9b0c-badcb25df86b

SAHFUP4 PARTS LIST

Parts List Number: SAHF2000#SAHFUP4

Model Number: SFHFC604HV44A57D1C01A0000G0K0000T000600#

SAHFUP4 PARTS LIST

Parts List Number: SAHF2000#SAHFUP4

Model Number: SFHFC604HV44A57D1C01A0000G0K0000T000600#

Part No.	Reference	Quantity	Description
----------	-----------	----------	-------------

MODEL NUMBER DESCRIPTION

75004822

REV
A

SXHF ROOFTOP

PAGE 1

Digit 1 - Unit Type
S=Self Contained

Digit 2 - Unit Function
A=DX Cooling, No Heat
E=DX Cooling, Electric Heat
F=DX Cooling, Natural Gas Heat
L=DX Cooling, Hot Water Heat
S = DS Cooling, Steam Heat
X = DX Cooling, Extended Casing

Digit 3 - Unit Air Flow
H=Single Zone

Digit 4 - Development Sequence
F=Sixth Development

Digit 5,6,7 - Nominal Capacity
C20=20 Ton C55=55 Ton
C25=25 Ton C60=60 Ton
C30=30 Ton C70=70 Ton
C40=40 Ton C75=75 Ton
C50=50 Ton

Digit 8 - Power Supply
4=460/60/3 XL E=200/60/3 XL
5=575/60/3 XL F=230/60/3 XL
C=380/50/3 XL S=Special (+)
D=415/50/3 XL

Digit 9 - Heating Capacity
A=SS or SL Low Heat .50 Valve
B=SS or SL Low Heat .75 Valve
C=SS or SL Low Heat 1.00 Valve
D=SS or SL Low Heat 1.25 Valve
E=SS or SL Low Heat 1.50 Valve
F=SS or SL Low Heat 2.00 Valve
G=Limited Modulating-Low Heat
H=Hi Heat
J=Limited Modulating-High Heat
L=Low Heat
M=Full Modulating -Low Heat
P=Full Modulating-High Heat
S=Special (+)
0=No Heat
1=SS or SL High Heat .50 Valve
2=SS or SL High Heat .75 Valve
3=SS or SL High Heat 1.00 Valve
4=SS or SL High Heat 1.25 Valve
5=SS or SL High Heat 1.50 Valve
6=SS or SL High Heat 2.00 Valve

When digit 2=E the following values apply:

A) 60 HZ Units:
D= 30 KW R=130 KW
H= 50 KW U=150 KW
L= 70 KW V=170 KW
N= 90 KW W=190 KW
Q=110 KW

B) 380 Volt, 50 HZ Units:
D= 31 KW N= 94 KW
H= 52 KW Q=107 KW
L= 69 KW R=119 KW

C) 415 Volt, 50 HZ Units:
D= 34 KW Q=112 KW
H= 52 KW R=127 KW
L= 72 KW U=142 KW
N= 91 KW

Digit 10 - Design Sequence
R=Design Sequence R

Digit 11 - Exhaust Option
0=None C= 50%-5HP**
1=Barometric D= 50%-7.5HP**
2=100%-1.5HP* E=100%-1.5HP**
3=100%-3HP* F=100%-3HP**
4=100%-5HP* G=100%-5HP**
5=100%-7.5HP* H=100%-7.5HP**
6=100%-10HP* J=100%-10HP**
7=100%-15HP* K=100%-15HP**
8=100%-20HP* L=100%-20HP**
A= 50%-1.5HP**
B= 50%-3HP**
*=with Statitrac
**=without Statitrac

Digit 12 - Exhaust Fan Drive
0=None
RPM Values:
4=400 7=700 A=1000
5=500 8=800 B=1100
6=600 9=900
#=special exhaust RPM
or variable pitch drive

Digit 13 - Filter Selection
A=Throwaway
B=Cleanable Wire Mesh
C=Hi Efficiency Throwaway
D=Bag W/Prefilter
E=Cartridge W/Prefilters
F=Throwaway Rack less Filter Media
G=Bag Rack less Filter Media

MODEL NUMBER DESCRIPTION

Parts List Number: SAHF2000#SAHFUP4

Model Number: SFHFC604HV44A57D1C01A0000G0K0000T000600#

Part No.	Reference	Quantity	Description
----------	-----------	----------	-------------

MODEL NUMBER DESCRIPTION

75004823

REV
C

SAHF ROOFTOP

PAGE 2

Digit 14 - Supply Fan HP

1= 3 HP 4= 10 HP 7= 25 HP
2= 5 HP 5= 15 HP 8= 30 HP
3= 7.5 HP 6= 20 HP 9= 40 HP

Digit 15 - Supply Fan RPM

5= 500 9= 900 D= 1300
6= 600 A= 1000 E= 1400
7= 700 B= 1100 F= 1500
8= 800 C= 1200

Digit 16 - Fresh Air Section

A= None
B= 0-25% Manual Damper
D= 0-100% Economizer

Digit 17 - System Control

1= Constant Volume
2= VAV Supply Air temp without
 Inlet Vanes
3= VAV Supply Air temp with
 Inlet Vanes
4= Space Pressure with Exhaust
 VFD without Bypass
5= Space Pressure with Exhaust
 VFD with Bypass
6= VAV Supply Air temp with VFD
 without Bypass
7= VAV Supply Air temp with VFD
 with Bypass
8= Supply and Exhaust/Return Fan
 with VFD without Bypass
9= Supply and Exhaust/Return Fan
 with VFD with Bypass

Digit 18 - Accessory Panel

0= None
A= BAYSENS108
B= BAYSENS110
C= BAYSENS073
D= BAYSENS074
G= BAYSENS021
L= BAYSENS119

Digit 19 - Ambient Control

0= Standard
1= 0 degree Fahrenheit

Digit 20 - Agency Approval

0= None
1= UL
2= CSA

MODEL NUMBER DESCRIPTION

Parts List Number: SAHF2000#SAHFUP4

Model Number: SFHFC604HV44A57D1C01A0000G0K0000T000600#

Part No.	Reference	Quantity	Description
----------	-----------	----------	-------------

MODEL NUMBER DESCRIPTION

75005049

REV
D

SXHF ROOFTOP

PAGE 3

Digit 21 Disconnect Switch Selection
 0 = Unit Mounted Terminal Block
 A = Unit Mounted Non-fused Disconnect Switch

Digit 22 Hot Gas Bypass
 0 = Without Hot Gas Bypass
 B = With Hot Gas Bypass

Digit 23 0-100% Economizer Comparative Enthalpy
 0 = Without
 D = With

Digit 24 Low Leak Fresh Air Dampers
 0 = Standard Fresh Air
 E = Low Leak

Digit 25 High Duct Temperature Thermostat
 0 = None
 F = Thermostat

Digit 26 High Capacity Evaporator Coil
 0 = Standard Capacity
 G = High Capacity

Digit 27 Copper Finned Condenser Coil
 0 = Aluminum Finned
 H = Copper Finned

Digit 28 0-5 VDC Generic BAS Module
 0 = W/O GBAS Option-Cover Plate For Low Voltage
 K = 0-5 VDC Generic BAS Module

Digit 29 High Efficiency Motors (Supply & Exhaust)
 0 = Standard
 L = High Efficiency

Digit 30 Remote Human Interface
 0 = None
 M = Remote Human Interface

Digit 31 Ventilation Override Module
 0 = None
 N = Ventilation Override Module

Digit 32 Extended Grease Lines
 0 = None
 R = Extended Grease Lines

Digit 33 Access Doors
 0 = Standard Panels
 T = Access Doors

Digit 34 Inter-Processor Communications Bridge
 0 = None
 V = Inter-Processor Communications Bridge

Digit 35 Trane Communications Interface Module
 0 = None
 Y = Trane Communications Interface Module

Digit 36 Isolators
 8 = Spring
 0 = Rubber

Digit 37 Factory Powered 15A GFI Convenience Outlet
 0 = None
 B = Factory Powered 15A GFI Convenience Outlet

Digit 38 VFD Line Reactor
 0 = W/O VFD Line Reactor
 5 = VFD Line Reactor

Digit 39 Re-Heat Coil Option
 0 = Standard
 A = 2 Circuit Refrig. Reheat Coil
 B = Multi-Circuit Refrig. Reheat Coil
 C = Hot Water Reheat Coil
 D = Air Cooled Protocol RHT

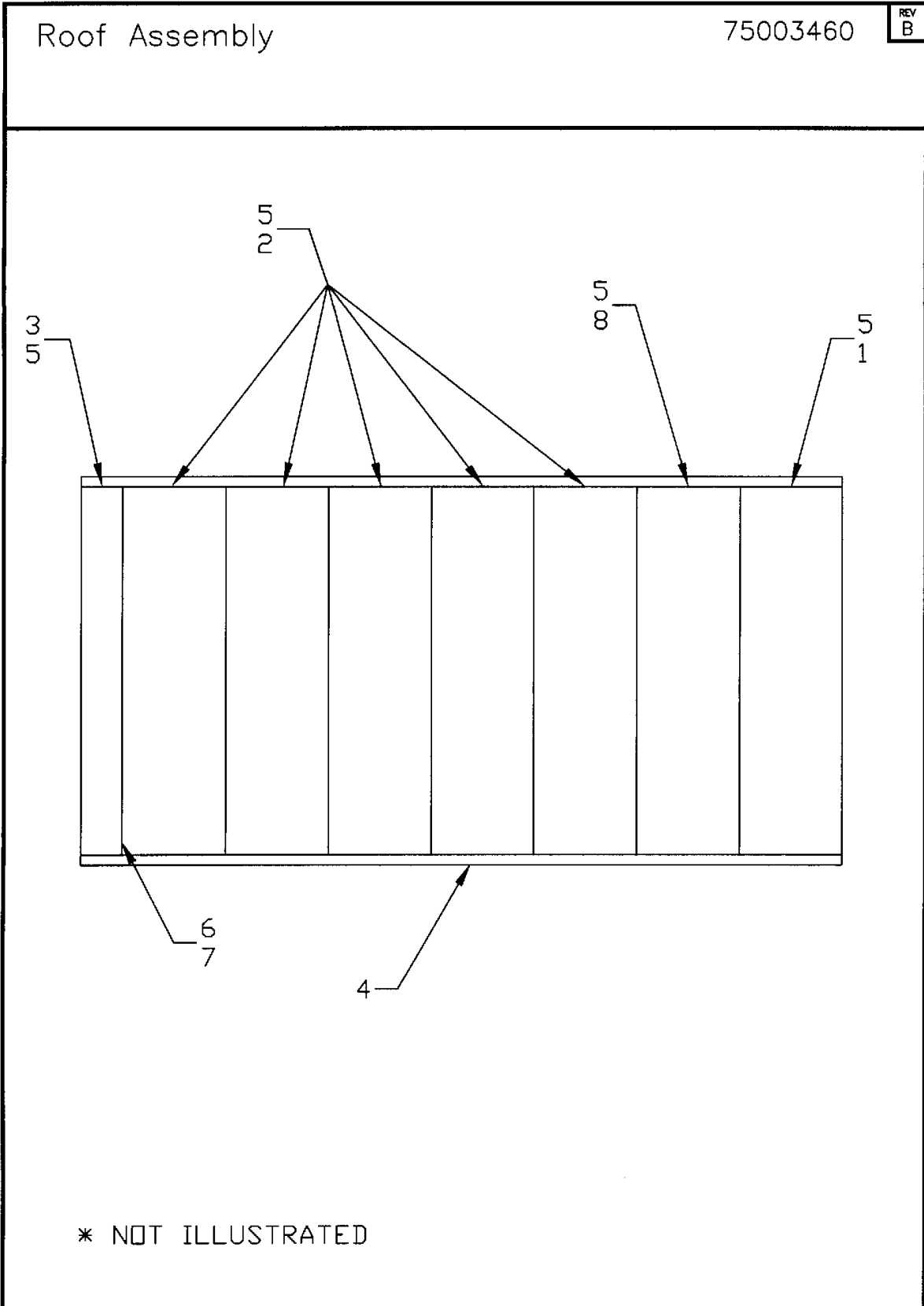
MODEL NUMBER DESCRIPTION

Parts List Number: SAHF2000#SAHFUP4

Model Number: SFHFC604HV44A57D1C01A0000G0K0000T000600#

Part No.	Reference	Quantity	Description
----------	-----------	----------	-------------

Selected Assembly: 0b3eee83-f55b-48f2-b05b-35cbd1066dd3
ROOF ASSEMBLY
Parts List Number: SAHF2000#SAHFUP4
Model Number: SFHFC604HV44A57D1C01A0000G0K0000T000600#



ROOF ASSEMBLY

Parts List Number: SAHF2000#SAHFUP4

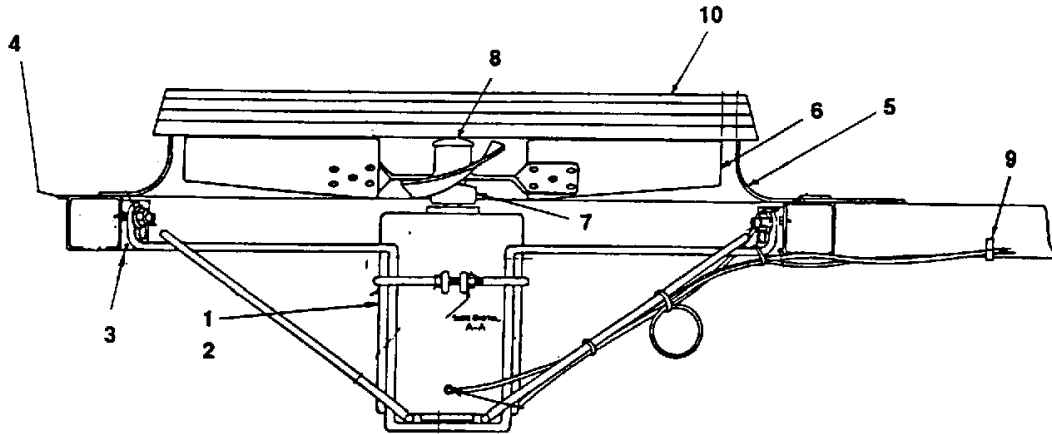
Model Number: SFHFC604HV44A57D1C01A0000G0K0000T000600#

Part No.	Reference	Quantity	Description
FRM00873	4	1	FRAME, ROOF WELD ASSEMBLY
PNN06288	2	6	PANEL;ROOF W/ INSULATION
PNN06289	3	1	PANEL;ROOF W/ INSULATION
PNN06293	8	1	PANEL;ROOF W/ INSULATION
PNN09248	1	1	PANEL; FRONT 2.5" PROJ. FC040, LH
SCR01811	5	74	SCREW; SELF-DRILLING, #10-16, .625 LG., HEX WASHER HEAD
SEL00471	*	0	SEALANT; .75W X 25 FEET
SEL00841	7	0	SEALANT; TAPE, .187 X .50 X ROLL (25 FT)
TAP00015	6	0	TAPE; SEALANT, EXEC. BEIGE, .19 DIA X 25 FEET

Selected Assembly: c9bc5035-035a-4d56-a77a-d240af4e9e48
CONDENSER FAN ASSEMBLY
Parts List Number: SAHF2000#SAHFUP4
Model Number: SFHFC604HV44A57D1C01A0000G0K0000T000600#

Condenser Fan Assembly

SAHC0504



CONDENSER FAN ASSEMBLY

Parts List Number: SAHF2000#SAHFUP4

Model Number: SFHFC604HV44A57D1C01A0000G0K0000T000600#

Part No.	Reference	Quantity	Description
BRK01385	3	24	BRACKET;ASSEMBLY, MOTOR MOUNTING
COV01591	4	1	COVER;ROOF WELD ASSEMBLY
FAN01516	6	0	FAN; 4 BLADE, STEEL, 26 DIA, 29 DEG, .62 BORE
GRD00937	10	3	GUARD; FAN
MOT01827	1	6	MOTOR; 1 HP, 460/60/3, 1140 RPM, 56, BB
PNN02223	5	3	PANEL; ORIFICE
RNG01158	2	0	RING; MOTOR MOUNTING, 7.12 INSIDE DIAMETER
SEL00478	8	0	SEAL; FAN HUB
SLG00032	7	0	SLINGER; 2.13 DIA X 1.19 LG, MOLDED PLASTIC
SUP01737	2	0	SUPPORT; MOTOR MOUNTING SPIDER BRACKET; FOR 6.57 DIA MOTOR
TIE00005	9	0	TIE; WIRE, .06-1.75 DIA

Selected Assembly: 1c5792f0-e58f-49e2-b265-d337c1b5025c

CONDENSER COIL ASSEMBLY

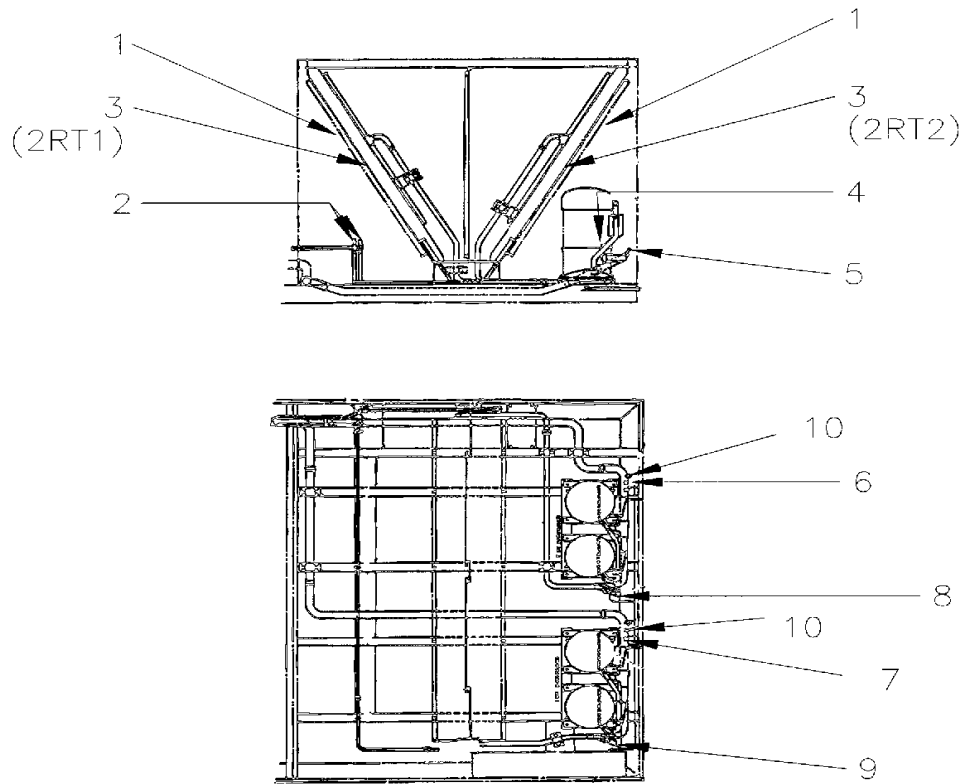
Parts List Number: SAHF2000#SAHFUP4

Model Number: SFHFC604HV44A57D1C01A0000G0K0000T000600#

CONDENSER COIL ASSEMBLY

75003465

REV
A



CONDENSER COIL ASSEMBLY

Parts List Number: SAHF2000#SAHFUP4

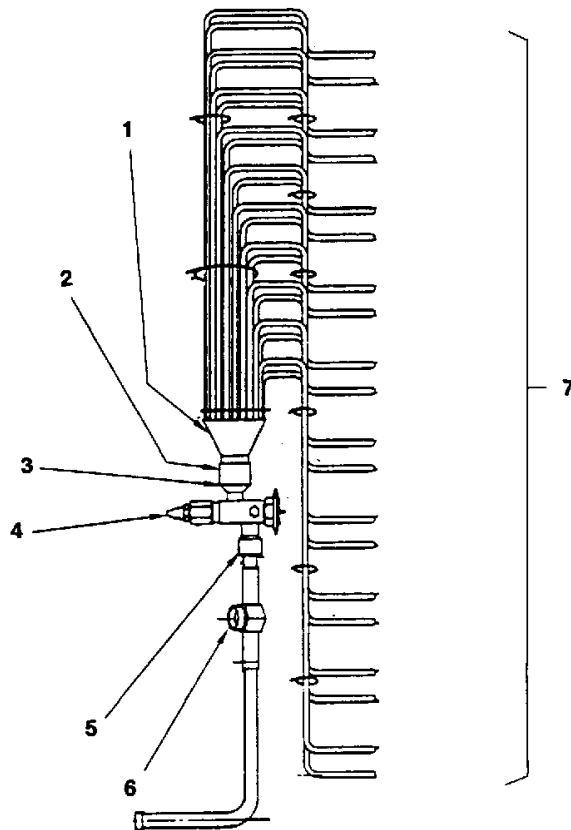
Model Number: SFHFC604HV44A57D1C01A0000G0K0000T000600#

Part No.	Reference	Quantity	Description
CAP00072	10	2	CAP; VALVE, SEAL, .25 FFL
CNT01651	8	2	CONTROL, HIGH PRESSURE, -405 OPEN, 300 CLOSE
CNT01651	9	2	CONTROL, HIGH PRESSURE, -405 OPEN, 300 CLOSE
CNT01652	6	2	CONTROL, LOW PRESSURE, 7 OPEN, 22 CLOSE
CNT01652	7	2	CONTROL, LOW PRESSURE, 7 OPEN, 22 CLOSE
COL07540	1	2	COIL; CONDENSER AND HEADER ASSEMBLY, 96"WIDE X 66" LONG
COR00006	10	4	CORE; VALVE PORT, .79 LENGTH, .206-36 UNS 2A THD
RSN00002	3	0	RESIN; HEAT CONDUCTIVE COMPOUND, 4 OZ.
SEN00391	3	2	SENSOR;THERMISTOR
VAL01483	10	4	VALVE; BODY, .44-20 THD X .25 ODS, STRAIGHT, BRASS, LESS CORE
VAL02575	2	2	VALVE;ANGLE, .88 ODS, FOR CAP ONLY USE CAP0444
VAL03518	5	2	VALVE;ANGLE (DISCHARGE SERVICE VALVE)

Selected Assembly: ed064a22-61b6-475a-af49-a8fa39323cb5
EVAPORATOR COIL & HEADER ASSEMBLY
Parts List Number: SAHF2000#SAHFUP4
Model Number: SFHFC604HV44A57D1C01A0000G0K0000T000600#

Evaporator Coil & Header Assembly

SAHC0511



EVAPORATOR COIL & HEADER ASSEMBLY

Parts List Number: SAHF2000#SAHFUP4

Model Number: SFHFC604HV44A57D1C01A0000G0K0000T000600#

Part No.	Reference	Quantity	Description
COL08325	7	1	COIL;EVAPORATOR & HEADER ASSEMBLY, W/O HGBP, W/O ZRC
COL08326	7	1	COIL;EVAPORATOR & HEADER ASSEMBLY, W/O HGBP, W/ZRC
DST00233	1	2	DISTRIBUTOR; 24 OUTLETS, 0.25 ODS, 1.38 ODM INLET LESS NOZZLE AND RING BRASS
GLS00069	6	2	GLASS; MOISTURE INDICATOR, 7/8 ODF, SA-K147
NOZ00074	3	2	NOZZLE;& RING ASSEMBLY
PAN02218	*	1	PAN; DRAIN ASSEMBLY, 8.80 X 110.30 X .55 GST
VAL01113	4	2	VALVE; EXPANSION, (R22) OVE-30-GA 7/8 X 1-3/8 ODF, 5 CAP, 1/4" SAE EQUALIZER, VGA CHARGE, 30 TONS, R22, 48.5 PSIG SETTING (NO REFRIGERANT CHARGE)

Selected Assembly: 13ab71ce-642e-41da-8a20-369901b45fd8

EVAPORATOR PIPING ASSEMBLY

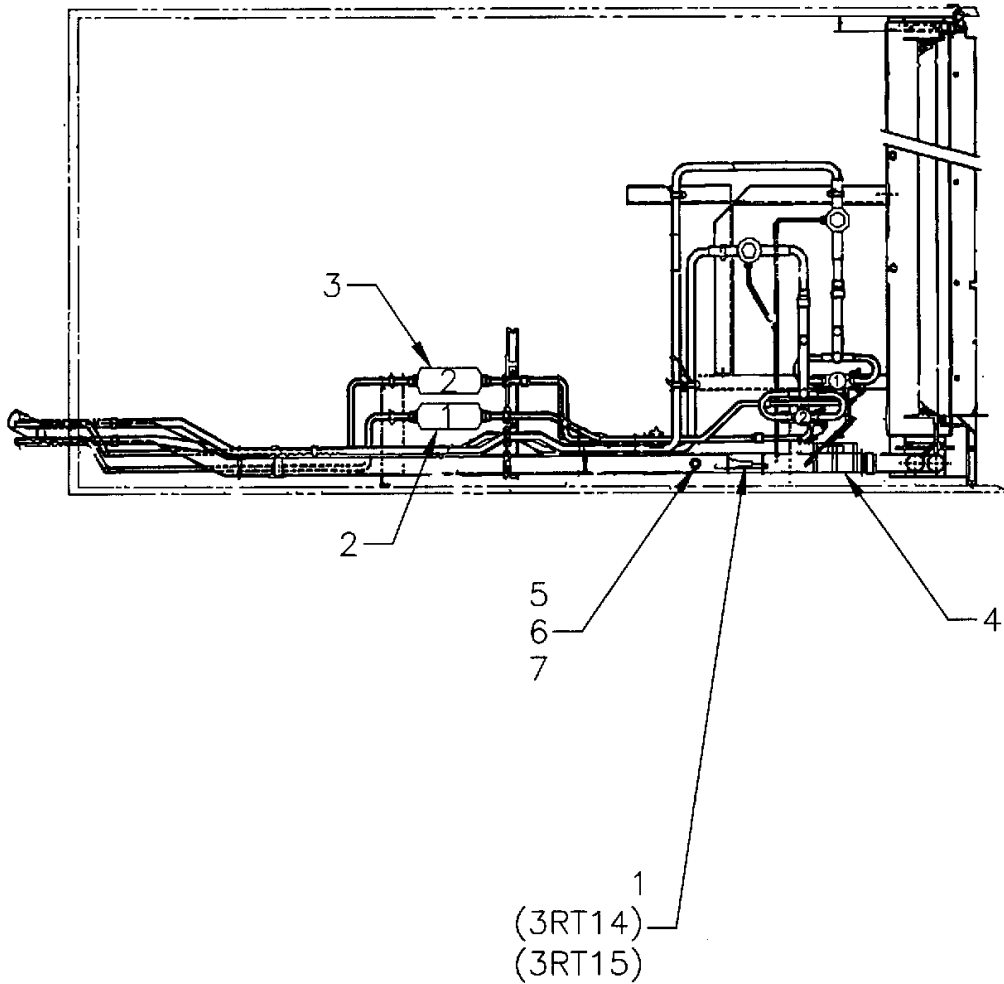
Parts List Number: SAHF2000#SAHFUP4

Model Number: SFHFC604HV44A57D1C01A0000G0K0000T000600#

EVAPORATOR PIPING

75005380

REV
A



EVAPORATOR PIPING ASSEMBLY

Parts List Number: SAHF2000#SAHFUP4

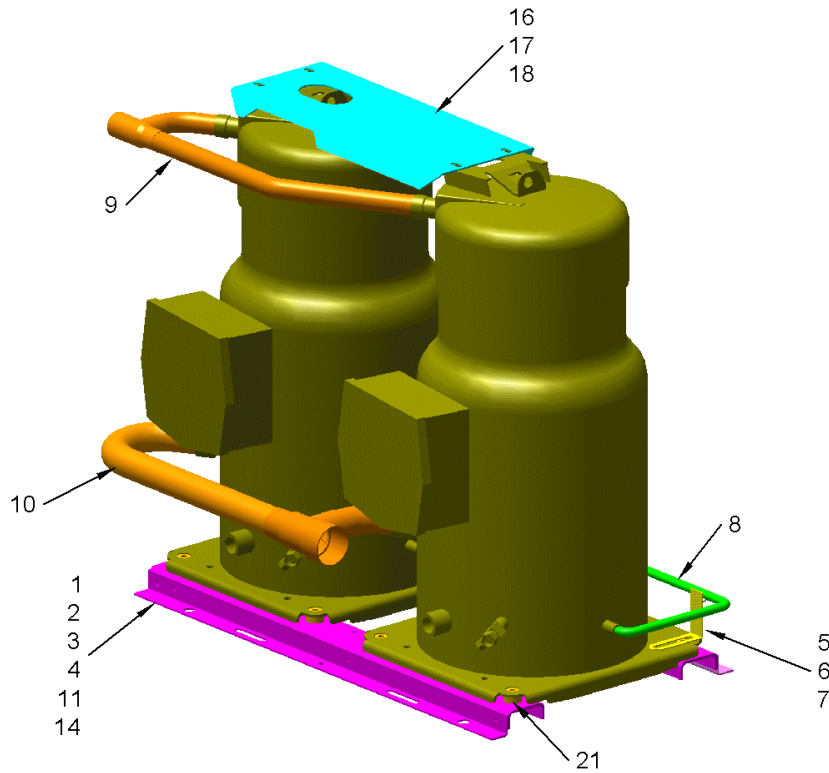
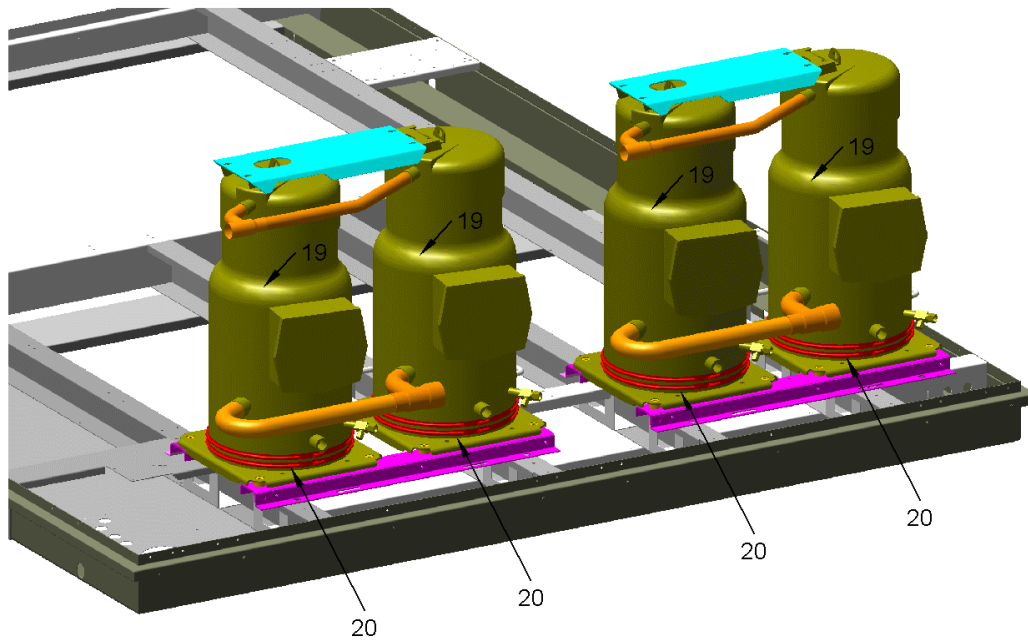
Model Number: SFHFC604HV44A57D1C01A0000G0K0000T000600#

Part No.	Reference	Quantity	Description
CAP00072	7	2	CAP; VALVE, SEAL, .25 FFL
CMP00372	4	2	CLAMP; BULB KIT, .62 X 9.56
COR00006	6	2	CORE; VALVE PORT, .79 LENGTH, .206-36 UNS 2A THD
DHY00015	2	1	DRIER; FILTER/LIQUID LINE, 307S, 7/8 ODF
DHY00015	3	1	DRIER; FILTER/LIQUID LINE, 307S, 7/8 ODF
SEN00339	1	2	SENSOR; THERMISTOR, PROBE, -40C TO 65C TEMP RANGE
VAL01483	5	2	VALVE; BODY, .44-20 THD X .25 ODS, STRAIGHT, BRASS, LESS CORE

COMPRESSOR ASSEMBLY

75004813

REV
C



This is a typical illustration. The unit in the field may not appear exactly as shown.

COMPRESSOR ASSEMBLY

Parts List Number: SAHF2000#SAHFUP4

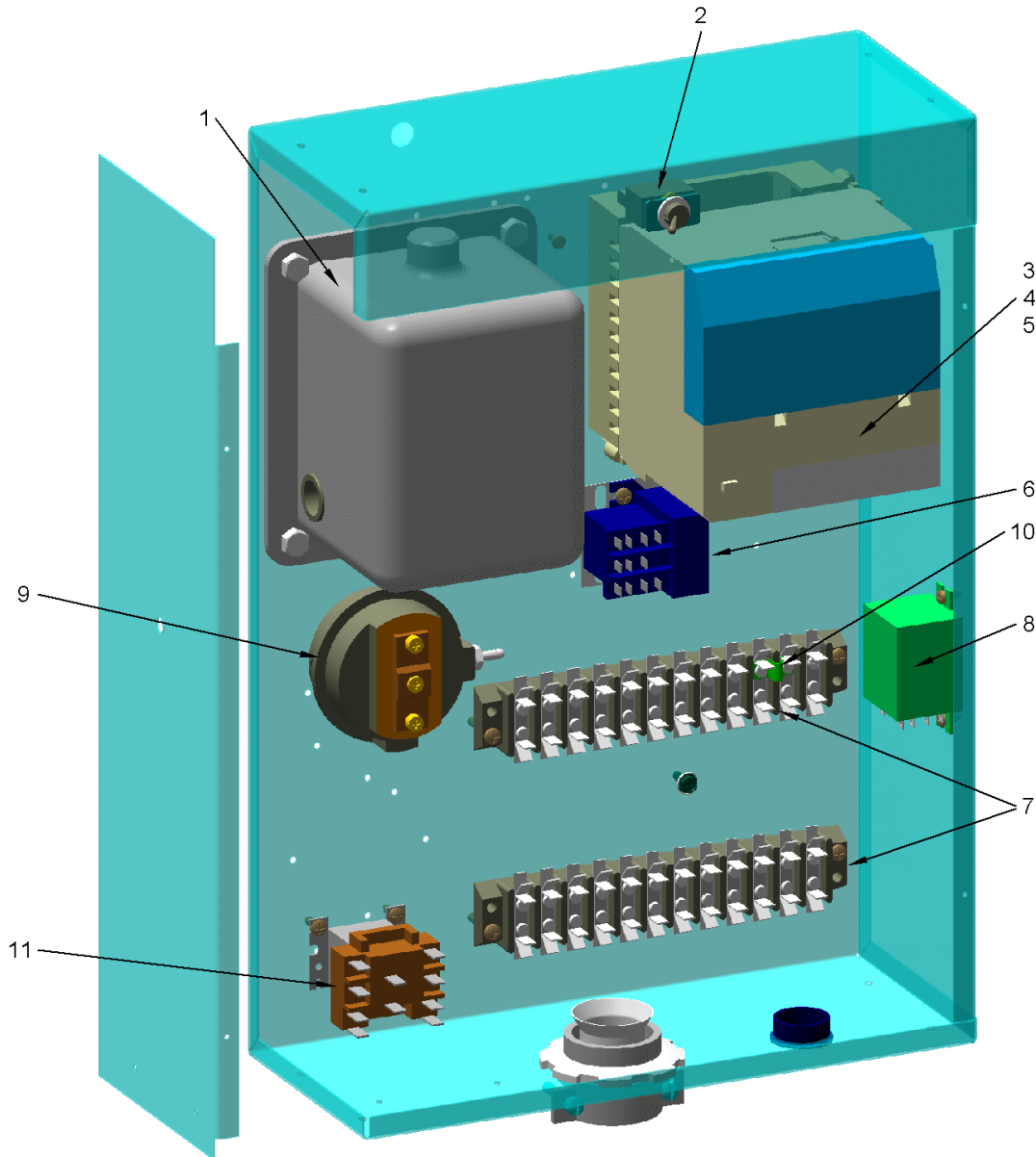
Model Number: SFHFC604HV44A57D1C01A0000G0K0000T000600#

Part No.	Reference	Quantity	Description
BLT00265	18	4	BOLT, .31-18 X .62 LG.
BRK02283	5	2	BRACKET; EQUALIZER LINE
CLP00190	*	0	CLIP; FLEXIBLE TRIM 10 FT LONG
CMP00225	6	2	CLAMP; TUBE .50 DIA
COM06297	19	4	COMPRESSOR; CSHA-140K-0*00/CSHA-140K-0*0A, 14 TON, 400/50/3, 460/60/3, BRAZE SWEAT, MINERAL OIL (OIL00042)
MNT00382	21	8	MOUNT; ISOLATOR
NUT00248	17	4	NUT; LOCK, .31-18
OIL00042	*	0	MIN=4/4 OIL; COMPRESSOR, 150 SUS, WITH LUBRICITY ADDITIVE. 1 GAL CONTAINER - MINIMUM ORDER QUANTITY = 4
PLT02719	16	1	PLATE; COMPRESSOR, 28 AND 30 TON MANIFOLDED
RAL00100	1	2	RAIL; WELD ASSEMBLY
SCR00542	11	6	SCREW; THREAD CUTTING 1/4-20 X .625
SCR00928	7	2	SCREW, 6-32 X .38
SCR01610	3	8	SCREW; .31-18 X 1.50 HEX
SPC00324	2	8	SPACER; 1.00 OD X .33 ID X .61
TUB08733	9	1	TUBE; DISCHARGE LINE ASSEMBLY
TUB08736	10	1	TUBE; SUCTION LINE ASSEMBLY (CONSISTS OF TUB08830, TEE00123 AND TUB05992)
TUB08739	8	1	TUBE; EQUALIZER RAUC 30/60 TON
WAS00110	14	8	WASHER; LOCK, .312 NOM
WAS00203	4	8	WASHER; FLAT, PLATED, 1-1/4 OD X 5/16 ID

GAS HEAT CONTROL BOX ASSEMBLY

75004351

REV
B



This is a typical illustration. The unit in the field may not appear exactly as shown.

CONTROL BOX ASSEMBLY-GAS HEAT SECTION

Parts List Number: SAHF2000#SAHFUP4

Model Number: SFHFC604HV44A57D1C01A0000G0K0000T000600#

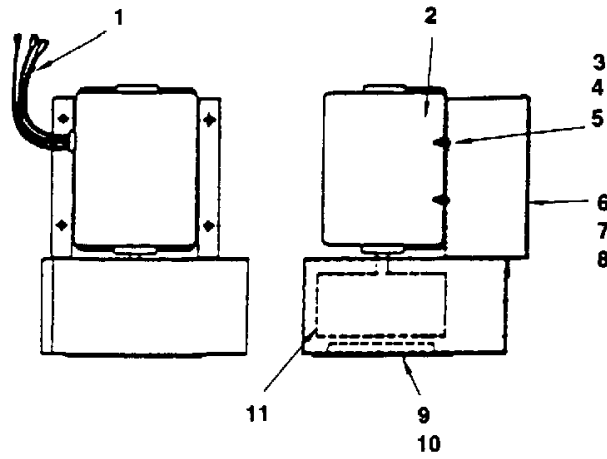
Part No.	Reference	Quantity	Description
BAS01079	5	1	BASE; SUB, WIRING UNIVERSAL
CNT02082	3	1	CONTROL, RELAY MODULE 120V 50/60HZ
CON00348	12	1	CONNECTOR; CONDUIT; 1-1/4 NOM 2 SCR-CND
FTG00028	8	1	FITTING; CLIP, .25 DIA. STUD, SPEED
FTG00029	10	1	FITTING; MALE .25 OD X .12 NPTE
HTR02722	*	1	HEATER; ELECTRIC, 75W 120VAC
RLY00464	11	1	RELAY; DPDT, 120V., 50/60 HZ.
RLY00465	*	1	RELAY; DPDT, 125/250V, QUICK CONNECT TERMINALS, 120 VAC
RLY00547	6	1	RELAY;
RLY00639	*	1	RELAY; TIME DELAY, DPDT, 60 SEC DELAY, 115 VAC. 60/50 HZ
SWT00286	2	1	SWITCH; TOGGLE, SPST, 15/10A - 125/250VAC
SWT00417	9	1	SWITCH; DIFFERENTIAL PRESSURE, -40 TO 150 DEG F, 125/25 VAC, 10/8 AMP, 1/8/1/4HP AT 125/250VAC, RANGE: .15 - 4.25
TER00154	7	2	TERMINAL; BLOCK, 12 POLE 30 AMP, 600V DBL .25 QC BOTH SIDES
TMR00144	4	1	TIMER; PURGE-60 SEC, PLUG-IN CARD FOR MICROPROCESSOR BASED INTER GRATED BUNER CNTL
TRR00132	1	1	TRANSFORMER; 18 VA, 120V PRI.,6000V SEC.

Selected Assembly: 80a7d264-fea2-4d18-93f9-257ada9c25a6
GAS HEAT ASSEMBLY-FAN & MOTOR ASSEMBLY
Parts List Number: SAHF2000#SAHFUP4
Model Number: SFHFC604HV44A57D1C01A0000G0K0000T000600#

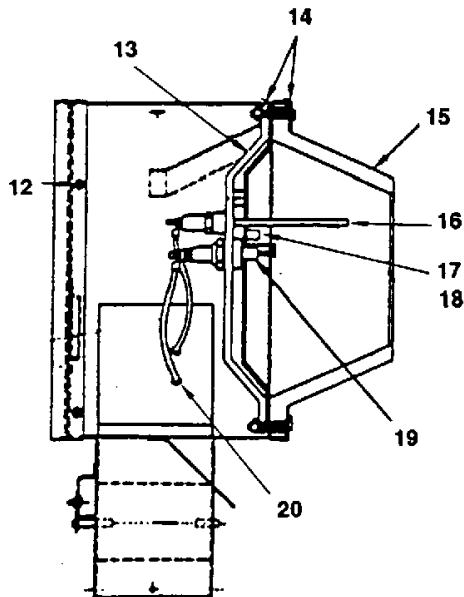
Gas Heat Assembly

SAHC0520

Fan & Motor Assembly



Combustion Chamber Extension Assembly



GAS HEAT ASSEMBLY-FAN & MOTOR ASSEMBLY

Parts List Number: SAHF2000#SAHFUP4

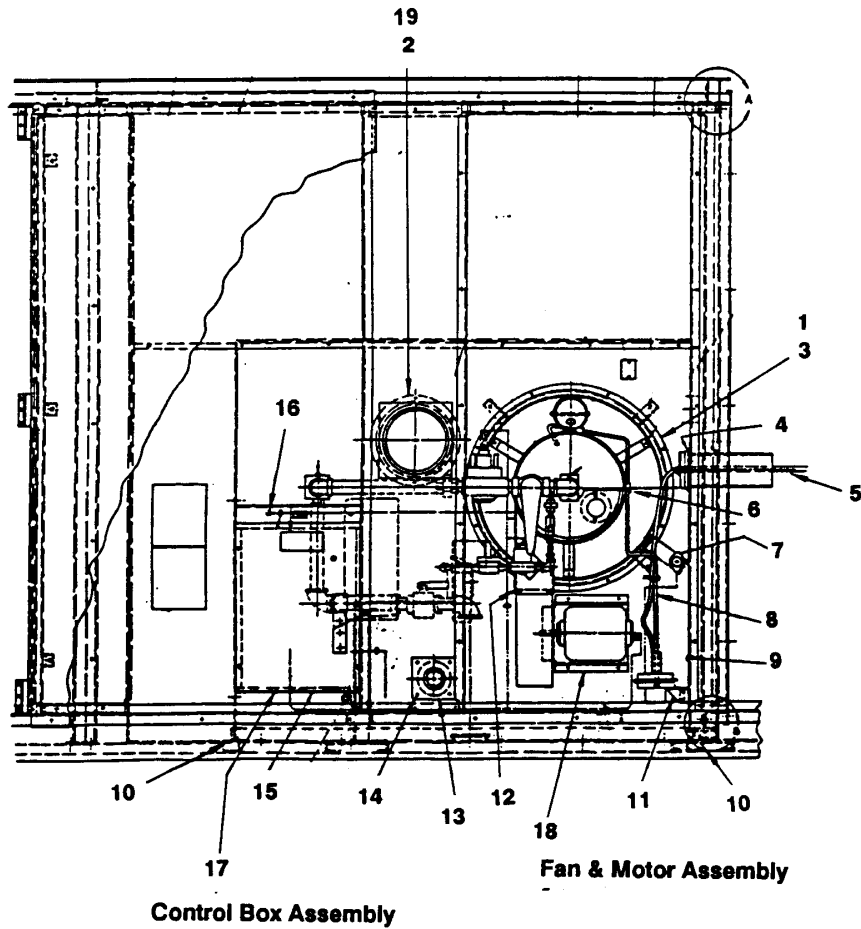
Model Number: SFHFC604HV44A57D1C01A0000G0K0000T000600#

Part No.	Reference	Quantity	Description
----------	-----------	----------	-------------

Selected Assembly: c009ff0a-bdea-4b0e-804f-ad70196e6d03
GAS HEAT ASSEMBLY-FRONT VIEW
Parts List Number: SAHF2000#SAHFUP4
Model Number: SFHFC604HV44A57D1C01A0000G0K0000T000600#

Gas Heat Assembly – Front View

SAHC0517



GAS HEAT ASSEMBLY-FRONT VIEW

Parts List Number: SAHF2000#SAHFUP4

Model Number: SFHFC604HV44A57D1C01A0000G0K0000T000600#

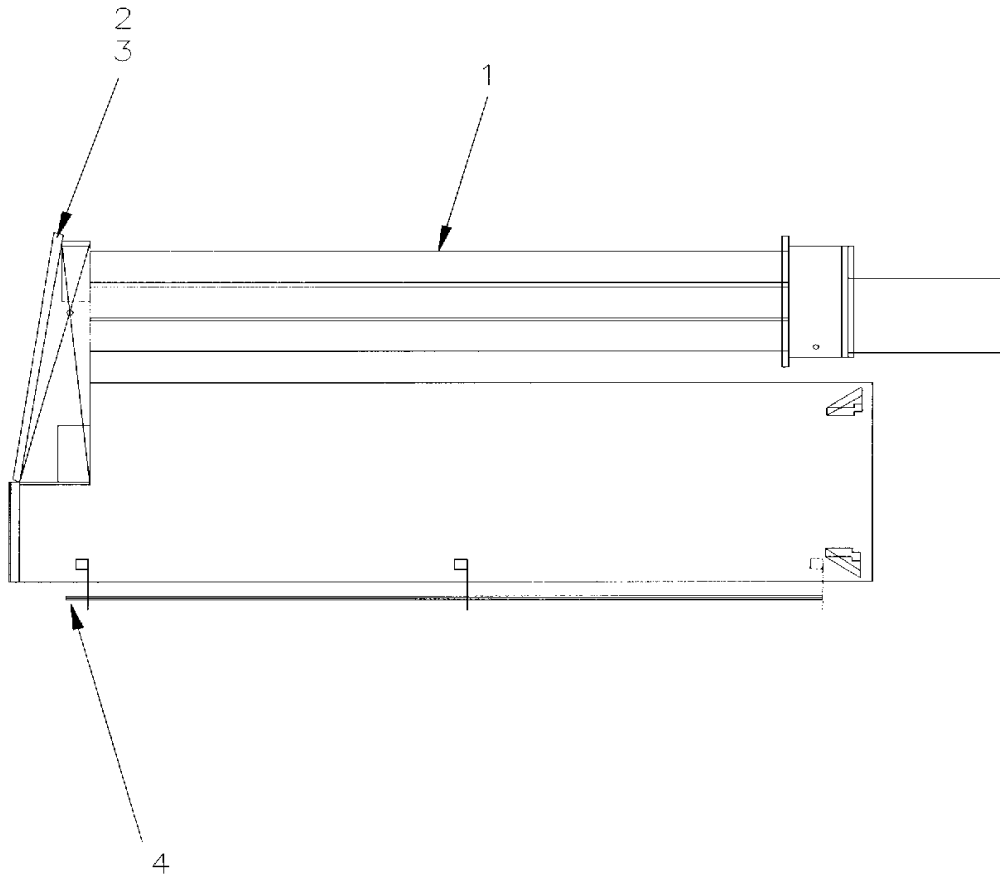
Part No.	Reference	Quantity	Description
BRK01389	11	1	BRACKET;MOUNTING, PRESSURE SWITCH
BRK01394	4	1	BRACKET;WITH CONDUIT
BTN00025	9	1	BUTTON; PLUG, .88 DIA
BUS00454	16	1	BUSHING;STRAIN RELIEF
CMP00266	6	2	CLAMP; .25 DIA TUBE
CNT01662	7	1	CONTROL; HIGH LIMIT, 25A NC SPST
COV01598	13	1	COVER;PLATE
COV02826	15	1	COVER; GAS HEAT CONTROL BOX
GRM00162	13	1	GROMMET;
INS02139	19	2	INSULATION; ROPE
INS02174	1	2	INSULATION; ROPE
PLU00458	10	1	PLUG;
RNG01163	3	1	RING;RETAINING
RNG01206	2	1	RING;RETAINING
SCR00721	15	0	SCREW; PHILLIPS HEAD, 6-32 X 1/2
SCR00878	11	0	SCREW, 10-32 X 3/8
SCR00878	14	0	SCREW, 10-32 X 3/8
SCR00906	7	0	SCREW; 8-32 X .50
SCR01129	12	2	SCREW; #10-24 X .56, SELF DRILLING, HEX WASHER HEAD, TYPE C3, STEEL - ZINC PLATED
TUB01678	5	1	TUBE;1/4IN. PLASTIC TUBING, 1 PIECE EQUALS 10 FEET
TUB06407	8	1	TUBE; PRESSURE SWITCH

Selected Assembly: 49f82859-7e19-4328-879f-47f31d112186
GAS HEAT ASSEMBLY-HEAT EXCHANGER ASSEMBLY
Parts List Number: SAHF2000#SAHFUP4
Model Number: SFHFC604HV44A57D1C01A0000G0K0000T000600#

Heat Exchanger

75003485

REV
A



GAS HEAT ASSEMBLY-HEAT EXCHANGER ASSEMBLY

Parts List Number: SAHF2000#SAHFUP4

Model Number: SFHFC604HV44A57D1C01A0000G0K0000T000600#

Part No.	Reference	Quantity	Description
EXC01263	1	1	EXCHANGER, HEAT ASSEMBLY
GKT03144	2	2	GASKET;.12 X .75 X 31.52, HIGH TEMP, ADHESIVE BACKED
GKT03145	3	2	GASKET;.12 X .75 X 29.00, HIGH TEMP, ADHESIVE BACKED
PIN00032	4	1	PIN;COTTER

Selected Assembly: 54cf80e9-0d6f-40ee-b008-a32a2c0a984a

GAS HEAT ASSEMBLY-SIDE VIEW

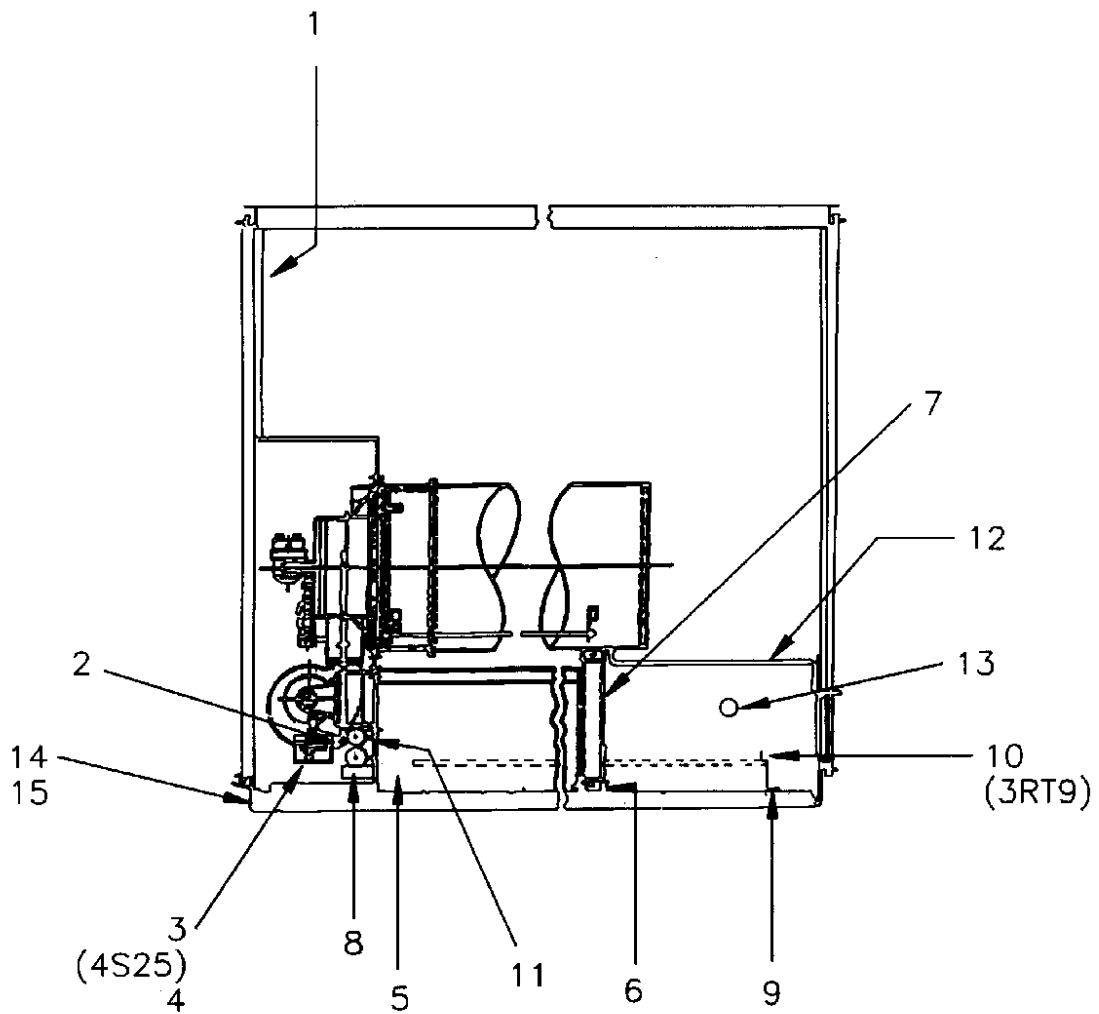
Parts List Number: SAHF2000#SAHFUP4

Model Number: SFHFC604HV44A57D1C01A0000G0K0000T000600#

GAS HEAT ASSEMBLY
SIDE VIEW

75000110

REV
B



GAS HEAT ASSEMBLY-SIDE VIEW

Parts List Number: SAHF2000#SAHFUP4

Model Number: SFHFC604HV44A57D1C01A0000G0K0000T000600#

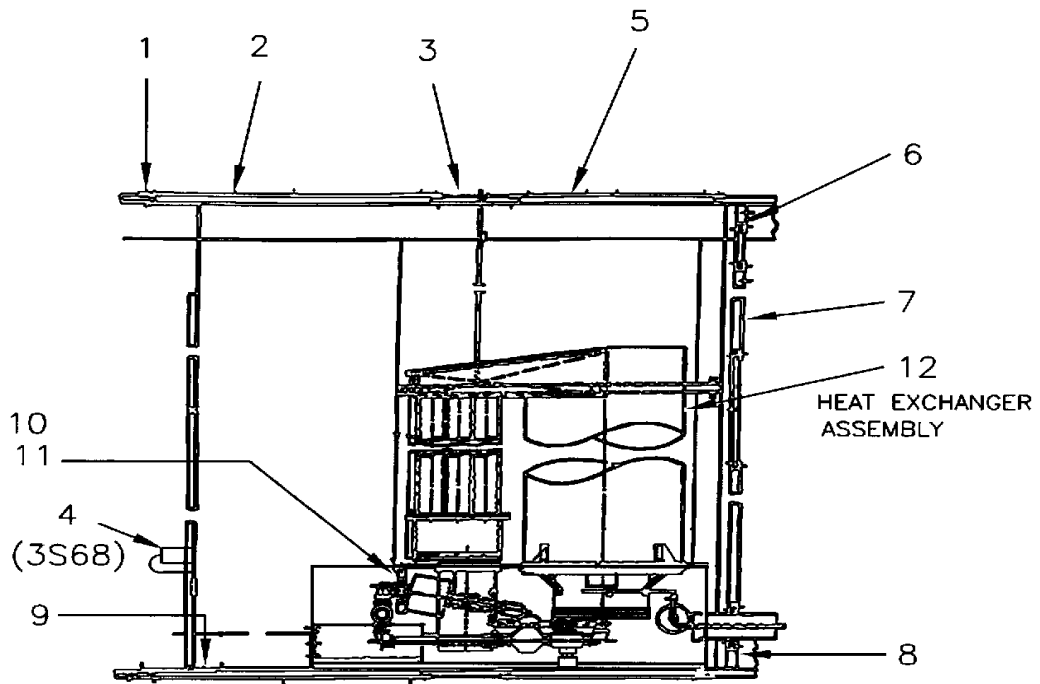
Part No.	Reference	Quantity	Description
BOF00461	1	1	BLOCKOFF;TOP
BOF01011	5	1	BLOCKOFF;ASSEMBLY
BRK01908	9	2	BRACKET; S/A SENSOR TUBE
BUS00338	8	5	BUSHING; SNAP, 2.00 INCH OD X 1.63 ID, MAX PANEL THICKNESS 0.125, BLACK NYLON
CLP00008	15	2	CLIP; CLAMP
FTG00029	2	1	FITTING; MALE .25 OD X .12 NPTE
GRP00027	4	1	GRIP; CABLE
PLU00361	11	2	PLUG; 2.0 DIA, 0.12 THICK PLASTIC
PLU00521	13	1	PLUG; 2.500 DIA.
SEN00339	10	1	SENSOR; THERMISTOR, PROBE, -40C TO 65C TEMP RANGE
SUP02978	6	1	SUPPORT;ASSEMBLY
SUP02979	7	2	SUPPORT, MOUNTING
SWT00142	3	1	SWITCH;DIFFERENTIAL PRESSURE, 120 DEG F, 125/250V, 10/5AMP, 1/8-1/4HP, 125V PILOT DUTY, .10 TO .25 IN W.C.
TUB08535	14	1	TUBE; DRAIN
TUB08574	12	1	TUBE; DRAIN

Selected Assembly: fc59ce9d-8b46-4417-b0d1-47159fb84f0f
GAS HEAT ASSEMBLY-TOP VIEW
Parts List Number: SAHF2000#SAHFUP4
Model Number: SFHFC604HV44A57D1C01A0000G0K0000T000600#

GAS HEAT ASSEMBLY
TOP VIEW

75003486

REV
A



GAS HEAT ASSEMBLY-TOP VIEW

Parts List Number: SAHF2000#SAHFUP4

Model Number: SFHFC604HV44A57D1C01A0000G0K0000T000600#

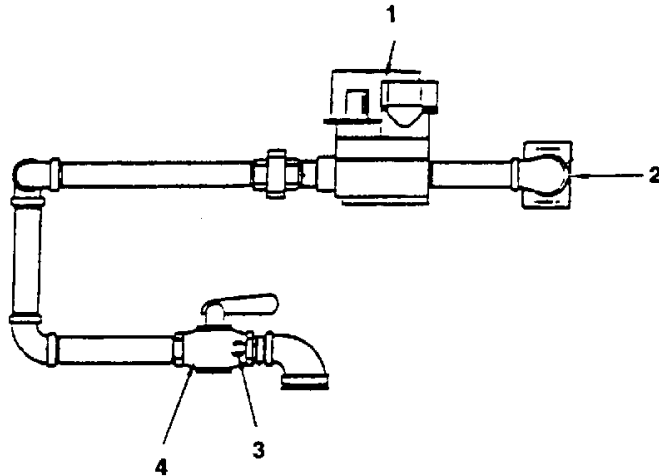
Part No.	Reference	Quantity	Description
ANG00545	1	2	ANGLE;BRACE
BRK01391	10	1	BRACKET;(PIPING ASSEMBLY)
CNT04990	4	1	CONTROL; AIR PRESSURE; .26 IN WC, 28VA @ 24V SPST POSITIVE PRESSURE CONNECTOR W/MTG BRACKET
PNN02236	5	1	PANEL;END ASSEMBLY
PNN02236	7	1	PANEL;END ASSEMBLY
PNN02237	2	1	PANEL;REAR ASSEMBLY
SRP00163	11	1	STRAP;(PIPING ASSEMBLY)
SUP02292	6	1	SUPPORT;CORNER ASSEMBLY (INCLUDES INSULATION & ADHESIVE)
SUP02296	8	1	SUPPORT;CORNER ASSEMBLY (INCLUDES INSULATION & ADHESIVE)
SUP02727	3	1	SUPPORT;
SWT01664	4	1	SWITCH; PRESSURE, SPDT, 28VA AT 24V., W/MTG BRACKET

Selected Assembly: cca600ae-fdc3-4479-b754-d8db6a2edbc9
ELECTRIC HEAT ASSEMBLY-PANELS
Parts List Number: SAHF2000#SAHFUP4
Model Number: SFHFC604HV44A57D1C01A0000G0K0000T000600#

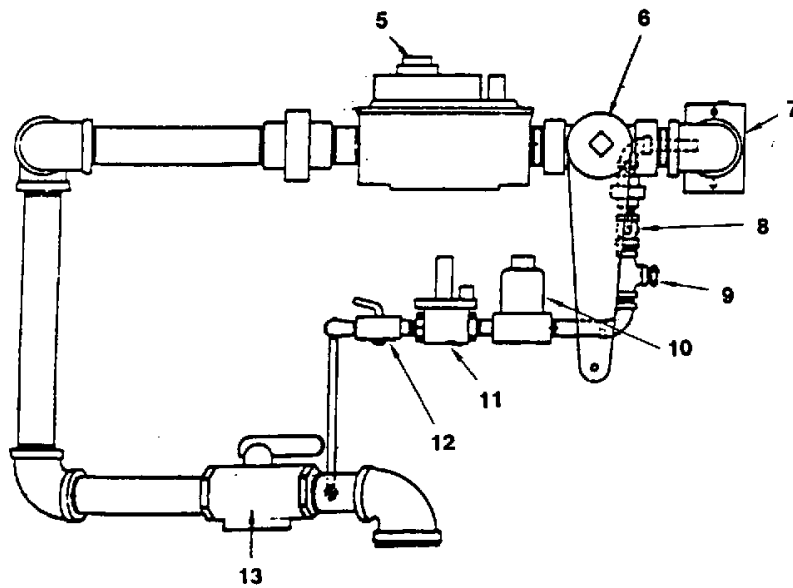
Gas Piping Assembly

SAHC0523

**No Agency Approval & UL Approval
20 thru 40 Ton W/Low Heat**



**50 thru 75 Ton W/Low Heat
20 thru 75 Ton W/High Heat**



ELECTRIC HEAT ASSEMBLY-PANELS

Parts List Number: SAHF2000#SAHFUP4

Model Number: SFHFC604HV44A57D1C01A0000G0K0000T000600#

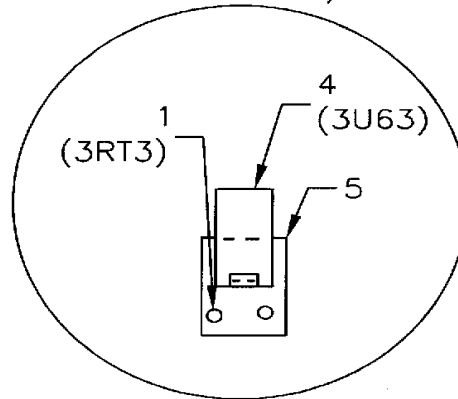
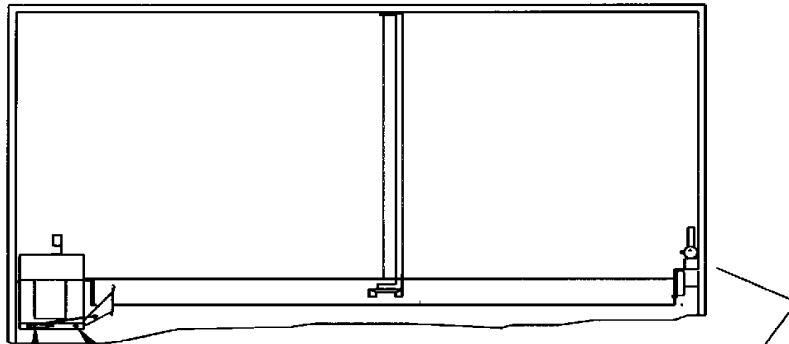
Part No.	Reference	Quantity	Description
ORF00182	7	1	ORIFICE; BURNER, 7 HOLES, DRILL SIZE H
PLU00020	9	1	PLUG; .12 NPS, HEX HEAD
REG00093	11	1	REGULATOR; PRESSURE REGULATING VALVE, .38 NPTI
TER00074	5	3	TERMINAL; LUG, 0.25 QC, 18-14 AWG, UNINSULATED MACHINE APPLIED
TER00074	10	2	TERMINAL; LUG, 0.25 QC, 18-14 AWG, UNINSULATED MACHINE APPLIED
VAL00303	6	1	VALVE; GAS, SHUT OFF, 1.0 NPTI X 1.0 NPTI
VAL01917	10	1	VALVE; GAS CONTROL, .25 NPTI
VAL01918	8	1	VALVE; .25 NPTI, SHUT-OFF
VAL01918	12	1	VALVE; .25 NPTI, SHUT-OFF
VAL02872	5	1	VALVE; GAS, NATURAL, 2-STAGE, 120V, SIZE NPT 1.00, RAPID OPENING

Selected Assembly: 0d44b8cf-c01e-4540-a32d-93948721bade
100% FRESH AIR ECONOMIZER
Parts List Number: SAHF2000#SAHFUP4
Model Number: SFHFC604HV44A57D1C01A0000G0K0000T000600#

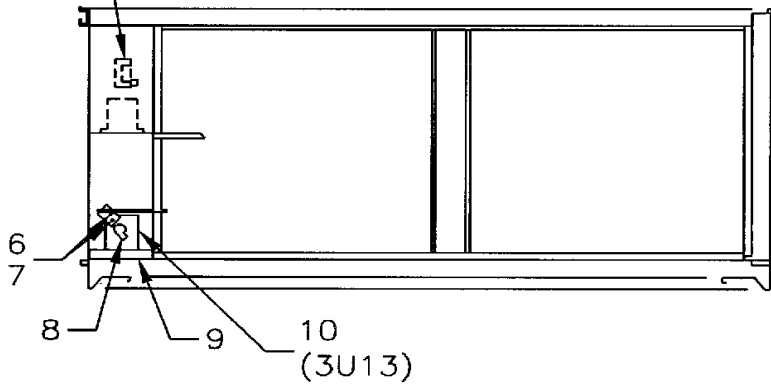
100% Fresh Air Economizer Assembly

75003531

REV
A



11
12
(3TB11)



100% FRESH AIR ECONOMIZER

Parts List Number: SAHF2000#SAHFUP4

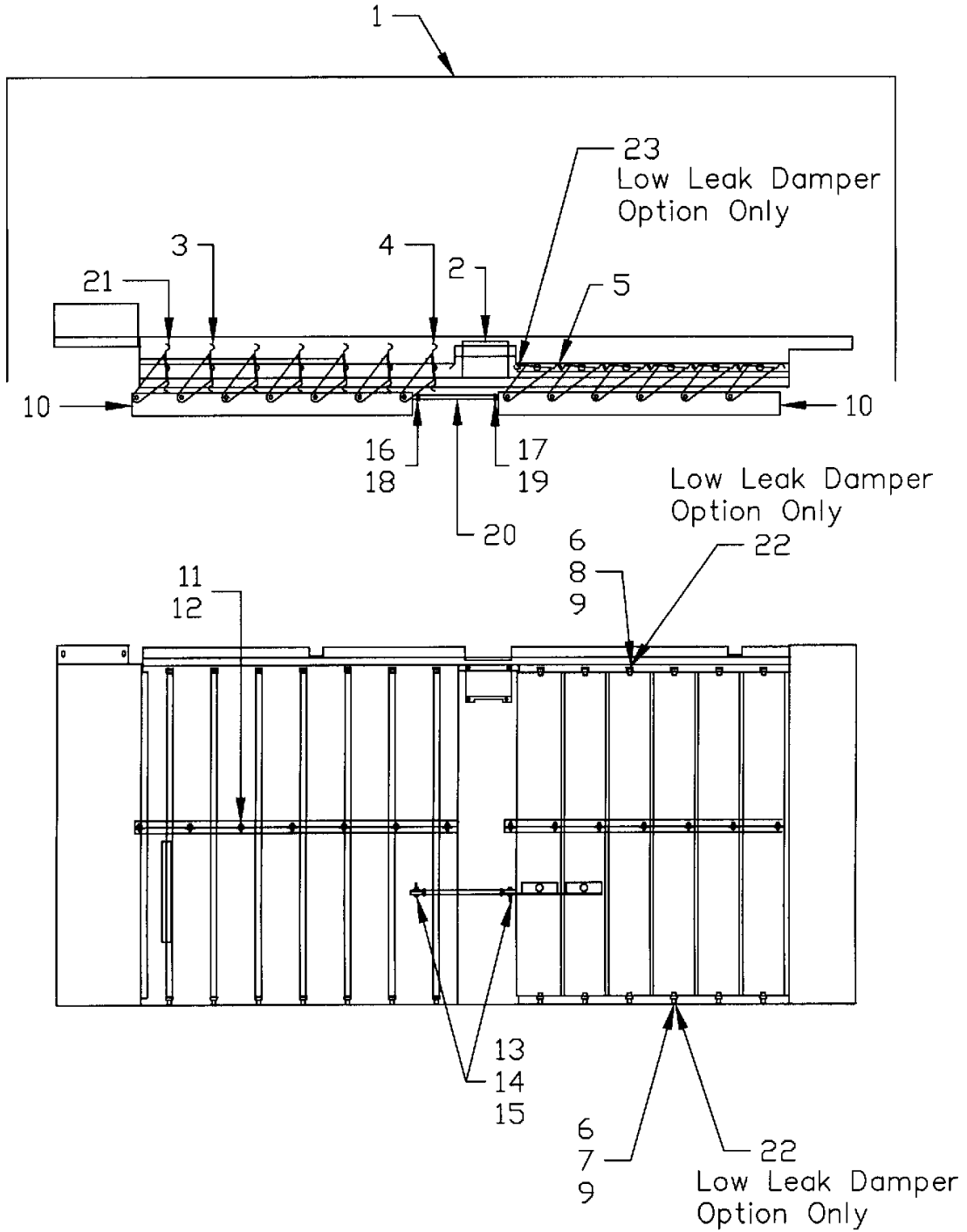
Model Number: SFHFC604HV44A57D1C01A0000G0K0000T000600#

Part No.	Reference	Quantity	Description
ARM00058	8	1	ARM, CRANK, .380 DIA
BRG00125	3	2	BEARING; LINKAGE, .25/.31 BALL JOINT, .25-.28 X .562
BRK01908	5	1	BRACKET; S/A SENSOR TUBE
BRK02402	9	1	BRACKET, ACTUATOR MOUNTING
ELN00280	*	1	ELIMINATOR; ASM., 60/70/75 TON, (0-100 PERCENT ECON OPT)
NUT00009	7	6	NUT; .25-20, HEX LOCK
OPR00143	10	1	OPERATOR; DAMPER, ACTUATOR
ROD00947	2	1	ROD, .31 DIA X 11.50 AL
SCR00008	6	2	SCREW; MACHINE SLOTTED, .25-20 X .50 RDH, OVEN PLATED
SEN00277	4	1	SENSOR; HUMIDITY, 32 DEG. F TO 125 DEG. F OPERATING TEMPERATURE
SEN00339	1	1	SENSOR; THERMISTOR, PROBE, -40C TO 65C TEMP RANGE

Damper Assembly
Outdoor and Return Air

75003535

REV
B



STANDARD AND LOW LEAK DAMPER

Parts List Number: SAHF2000#SAHFUP4

Model Number: SFHFC604HV44A57D1C01A0000G0K0000T000600#

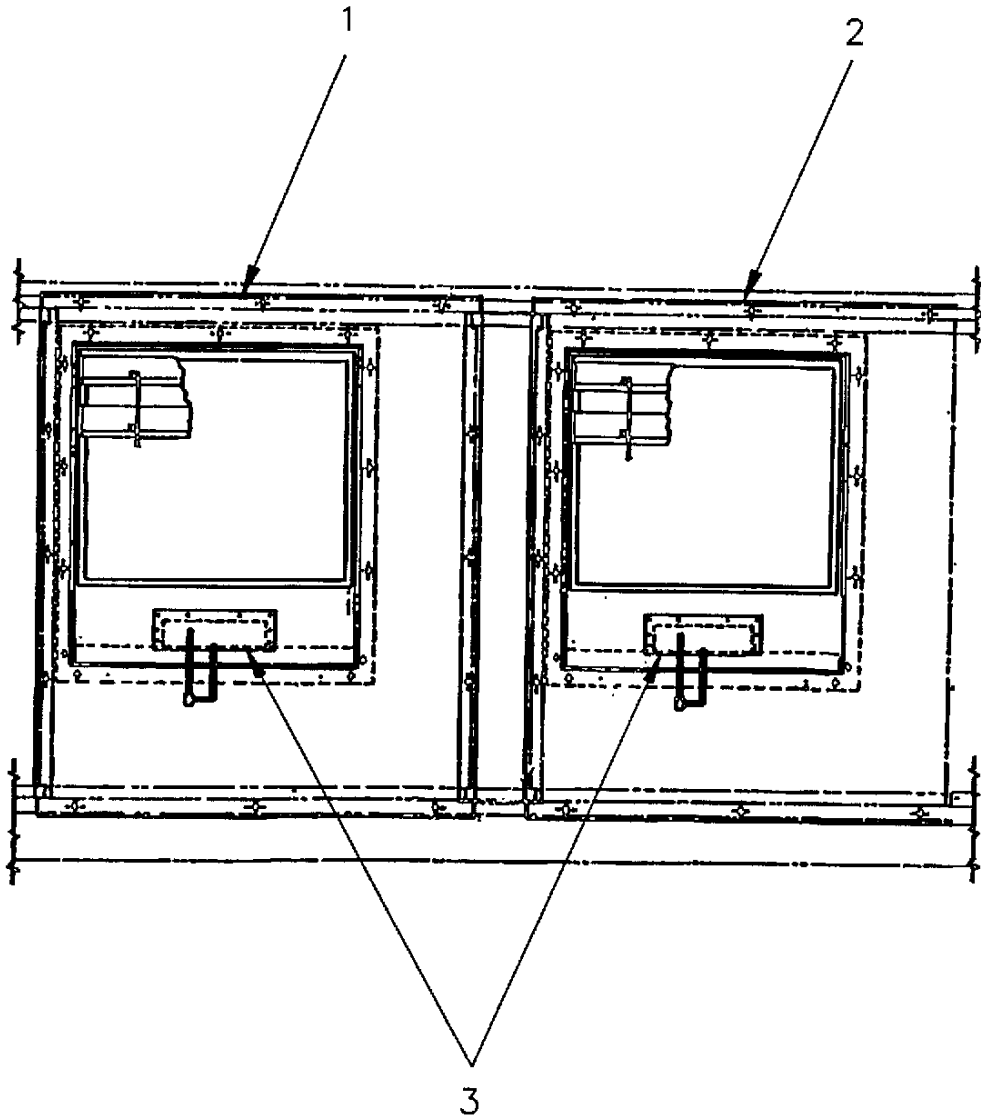
Part No.	Reference	Quantity	Description
BLD00877	3	14	BLADE; DAMPER ASSEMBLY
BLD00878	4	1	BLADE; DAMPER ASSEMBLY
BLD00878	21	1	BLADE; DAMPER ASSEMBLY
BLD00879	5	1	BLADE, DAMPER ASSEMBLY
BRG00271	6	34	BEARING; DAMPER, MOLDED, .45 ID X .31 LG
BRG00523	11	17	BEARING; NYLON
BRG00962	17	1	BEARING; ROD END, .25 BORE, SINGLE END, RH THD
BRG00963	16	1	BEARING; ROD END, .25 BORE, SINGLE END, LH THD
BUS00095	8	17	BUSHING; DAMPER (IS A PIN WITH A SLOT)
BUS00573	7	17	BUSHING, DAMPER
DMP01326	1	1	DAMPER; ASSEMBLY
LNK00338	10	2	LINK; DAMPER ARM
NUT00074	13	1	NUT; LOCKNUT, .25-28, ZINC PLATED
NUT00338	12	34	NUT; .25- , PUSH ON SPRING STEEL, IF PIN REQUIRED, ORDER PIN00092
NUT00727	19	1	NUT; HEX JAM .25-28, STL-ZINC/CAD
NUT00728	18	1	NUT; HEX JAM .25-28
ROD00994	20	1	ROD; CONTROL, .22 DIA X 9.33
SCR00709	9	34	SCREW, 10-24 X .50
SCR01066	2	18	SCREW; 1/4-14 X 5/8 LG AB
SCR01636	14	1	SCREW; .25-28 X 1.50, HEX CAP
WAS00441	15	6	WASHER;FLT,PLN,.307 IDX.749 OD, .051 THK,STL,ZNC,CHRM PLD

Selected Assembly: ff78972e-141a-4940-bcb5-008dec024160
DAMPER INSTALLATION-BAROMETRIC
Parts List Number: SAHF2000#SAHFUP4
Model Number: SFHFC604HV44A57D1C01A0000G0K0000T000600#

BAROMETRIC DAMPER INSTALLATION

75000131

REV
A



DAMPER INSTALLATION-BAROMETRIC

Parts List Number: SAHF2000#SAHFUP4

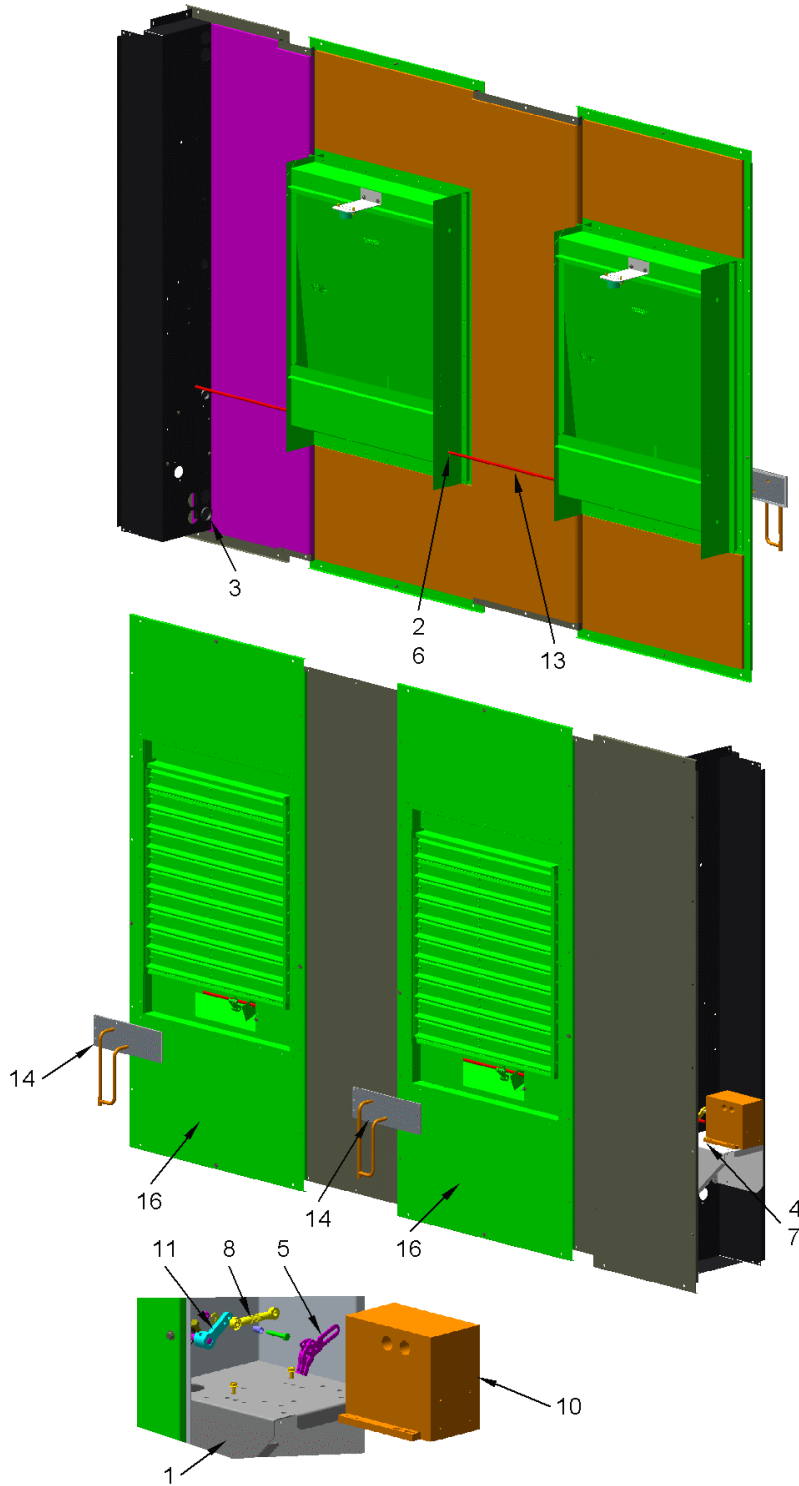
Model Number: SFHFC604HV44A57D1C01A0000G0K0000T000600#

Part No.	Reference	Quantity	Description
----------	-----------	----------	-------------

100% POWER EXHAUST

75003495

REV
B



This is a typical illustration. The unit in the field may not appear exactly as shown.

100% POWER EXHAUST ASSEMBLY

Parts List Number: SAHF2000#SAHFUP4

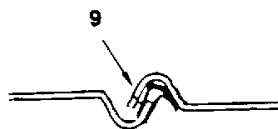
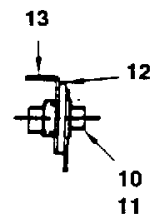
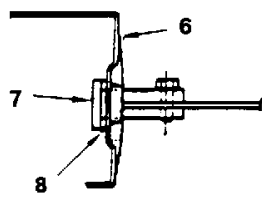
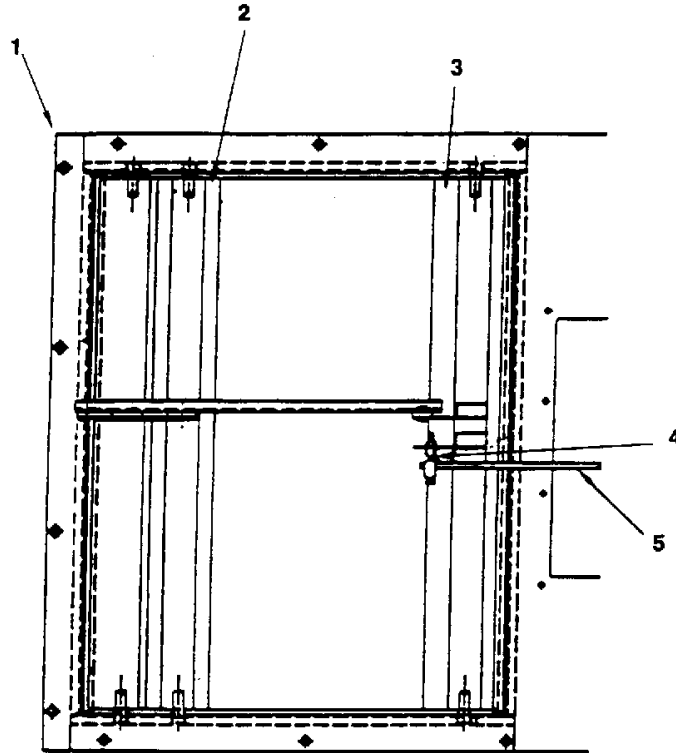
Model Number: SFHFC604HV44A57D1C01A0000G0K0000T000600#

Part No.	Reference	Quantity	Description
ARM00058	5	1	ARM, CRANK, .380 DIA
BRG00125	9	2	BEARING; LINKAGE, .25/.31 BALL JOINT, .25-.28 X .562
BRG00271	6	1	BEARING; DAMPER, MOLDED, .45 ID X .31 LG
BRK01238	15	2	BRACKET;W
BRK02402	1	1	BRACKET, ACTUATOR MOUNTING
BUS00269	3	1	BUSHING; 1.31 ID X .45 LG SNAP BUSHING
CLP00155	2	0	CLIP; SPRING GRIP, INTERNAL TOOTH,.43 ID X .78 OD, .020 STL
CNT04991	*	1	CONTROL; AIR PRESSURE; .10 IN WC, 28VA @ 24V SPST POSITIVE PRES-SURE CONNECTOR W/MTG BR
COV01461	14	1	COVER;& DRAIN ASSEMBLY
LEV00023	11	0	LEVER; DAMPER
NUT00009	4	4	NUT; .25-20, HEX LOCK
OPR00143	10	1	OPERATOR; DAMPER, ACTUATOR
ROD00977	8	1	ROD; CONTROL EXHAUST ACTUATOR
SCR00097	12	1	SCREW, HEX CAP .31-18 X .50
SCR01126	7	4	SCREW; HEX MACH, .25-20 X 1
SHF01525	13	1	SHAFT;POWER EXHAUST DAMPER, SOLID
SWT01664	*	1	SWITCH; PRESSURE, SPDT, 28VA AT 24V., W/MTG BRACKET

Selected Assembly: 135cc747-74db-4126-8ce3-1e9f916dcee2
100% POWER EXHAUST DAMPER ASSEMBLY
Parts List Number: SAHF2000#SAHFUP4
Model Number: SFHFC604HV44A57D1C01A0000G0K0000T000600#

100% Power Exhaust Damper

SAHC0535



100% POWER EXHAUST DAMPER ASSEMBLY

Parts List Number: SAHF2000#SAHFUP4

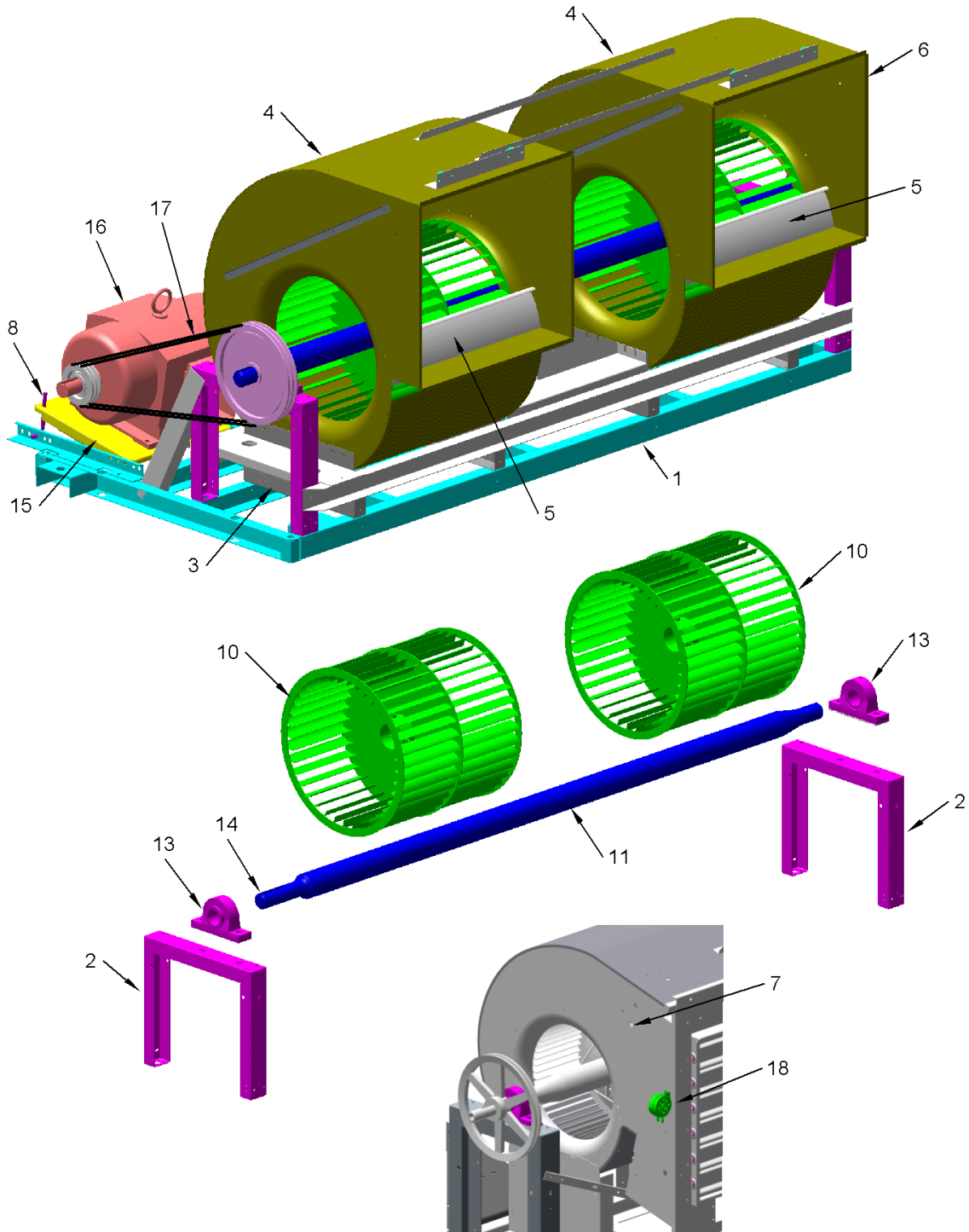
Model Number: SFHFC604HV44A57D1C01A0000G0K0000T000600#

Part No.	Reference	Quantity	Description
BLD00319	3	1	BLADE;DAMPER ASSEMBLY
BLD00321	2	7	BLADE-DAMPER ASSEMBLY
BRG00125	4	1	BEARING; LINKAGE, .25/.31 BALL JOINT, .25-.28 X .562
BRG00271	8	0	BEARING; DAMPER, MOLDED, .45 ID X .31 LG
BRG00523	12	0	BEARING; NYLON
BUS00095	7	0	BUSHING; DAMPER (IS A PIN WITH A SLOT)
DMP00334	1	2	DAMPER;ASSEMBLY
LNK00196	13	1	LINK; LINKAGE
NUT00338	10	0	NUT; .25- , PUSH ON SPRING STEEL, IF PIN REQUIRED, ORDER PIN00092
PNN04321	1	2	PANEL;ASSEMBLY
ROD00979	5	1	ROD; .31 DIA X 9.0 ALUMINUM
SCR00709	11	0	SCREW, 10-24 X .50
SEL00299	6	2	SEAL;DAMPER
SEL00535	9	9	SEAL; EXTRUSION 25.16IN. LG

EXHAUST BLOWER ASSEMBLY

75003586

REV
B



This is a typical illustration. The unit in the field may not appear exactly as shown.

EXHAUST BLOWER ASSEMBLY

Parts List Number: SAHF2000#SAHFUP4

Model Number: SFHFC604HV44A57D1C01A0000G0K0000T000600#

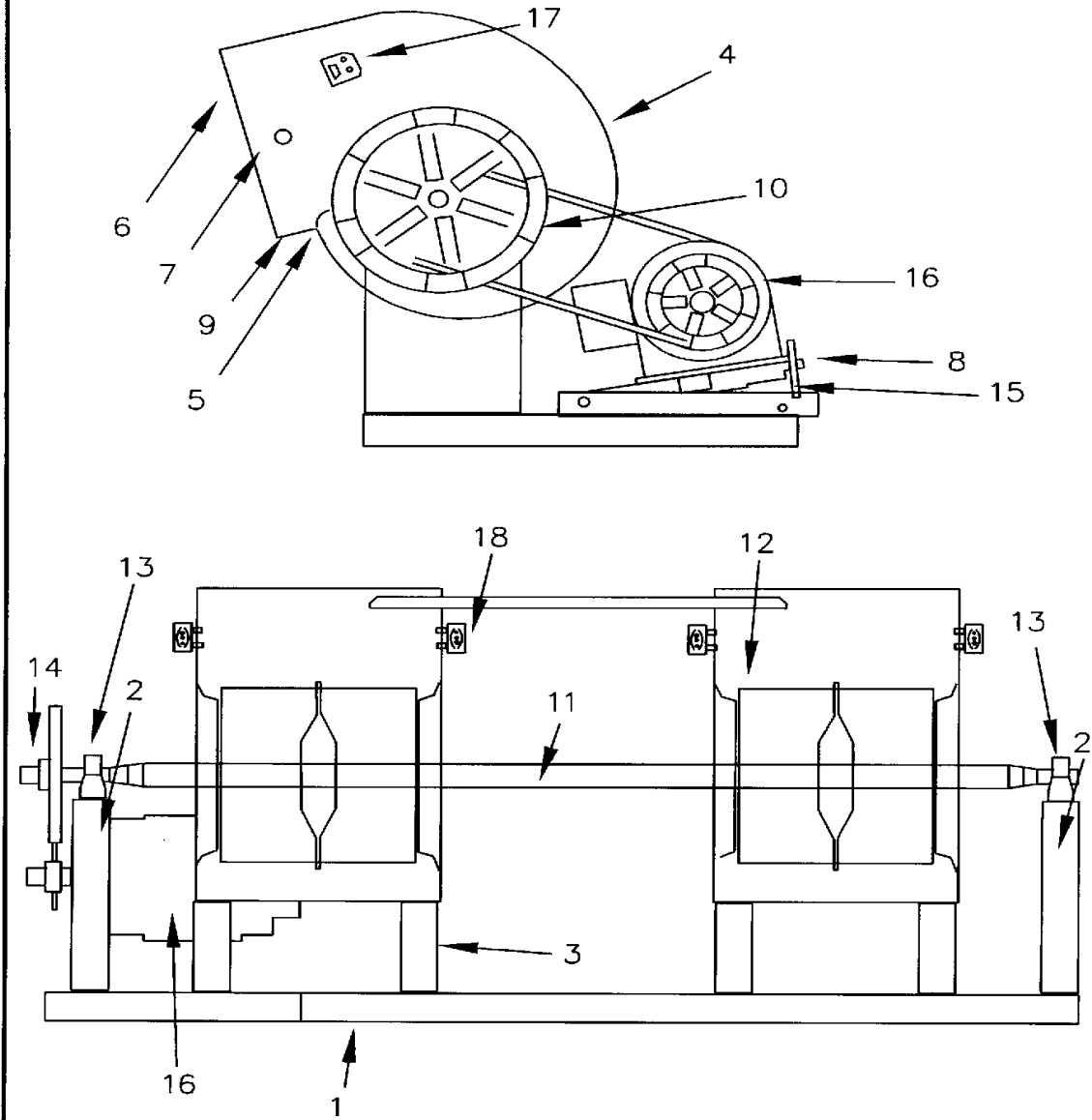
Part No.	Reference	Quantity	Description
BRG00522	13	2	BEARING; 1.4375 BORE
CO00172	5	2	CUTOFF;
FRM00875	1	1	FRAME ASSEMBLY
GKT01432	6	2	GASKET; (10 FT PC) MOLDED RUBBER
HUS00988	4	2	HOUSING; FAN, 20 IN.
KEY00043	14	1	KEY;3/8IN.X 3/8IN.X 3IN.
MOT09327	16	1	MOTOR; 5 HP, 230/460/60/3
PLT01413	15	1	PLATE;MOTOR (CHANNEL)
PLU00496	7	4	PLUG; 1.00 DIA., COVER
SCR00567	8	2	SCREW;MOTOR ADJUSTING
SCR01066	*	0	SCREW; 1/4-14 X 5/8 LG AB
SHF00783	11	1	SHAFT;FAN, SOLID, 80 1/2 IN. LONG X 2.412 IN CENTER DIAMETER X 1 7/16 IN. BOTH ENDS
SUP01585	2	2	SUPPORT;BEARING
SUP01586	3	4	SUUPPORT;FAN HOUSING
WHL00678	10	2	WHEEL; FC, 20 IN. DIA., DWDI, 2.44 IN. BORE (GALVANIZED)

Selected Assembly: 60a48065-be53-426a-bd02-ba71fbc13a68
SUPPLY BLOWER ASSEMBLY
Parts List Number: SAHF2000#SAHFUP4
Model Number: SFHFC604HV44A57D1C01A0000G0K0000T000600#

Blower Assembly

75003587

REV
A



SUPPLY BLOWER ASSEMBLY

Parts List Number: SAHF2000#SAHFUP4

Model Number: SFHFC604HV44A57D1C01A0000G0K0000T000600#

Part No.	Reference	Quantity	Description
BRG00543	13	2	BEARING;
CO00173	5	2	CUTOFF
FRM00886	1	1	FRAME; WELD ASSEMBLY NOT NORMALLY A REPLACEABLE ITEM
FRM00887	1	1	FRAME; WELD ASSEMBLY NOMALLY NOT A REPLACEABLE ITEM
GKT01432	6	0	GASKET; (10 FT PC) MOLDED RUBBER
HUS03161	4	2	HOUSING;ASSY, 22IN. FAN
KEY00024	14	1	KEY;1/2IN.X 1/2IN.X 3IN.
MNT00662	17	4	MOUNT;ISOLATOR, R-1 GREEN MOUNT, ISOLATOR 2 BLT MTG-.31 NC TOP
MOT09355	16	1	MOTOR; 15 HP, 230/460/60/3, 1800 RPM, 254T FRAME, RIGID, OPEN, F2, EISA
PLT01409	15	1	PLATE;MOTOR (CHANNEL)
PLU00496	7	4	PLUG; 1.00 DIA., COVER
SCR00567	8	2	SCREW;MOTOR ADJUSTING
SCR01066	*	0	SCREW; 1/4-14 X 5/8 LG AB
SHF00785	11	1	SHAFT; FAN, SOLID, 104 IN. LONG X 3 7/16 IN. CENTER DIAMETER X 2 3/16 IN. BOTH ENDS
SUP01574	18	2	SUPPORT;ISOLATOR
SUP01587	2	2	SUPPORT;BEARING
SUP01588	3	4	SUPPORT;FAN HOUSING
WHL00679	10	2	WHEEL; FC, 22 IN DIA, DWDI, 3.440 BORE, GALVANIZED

Selected Assembly: 0aa64f94-e706-438f-866c-6942477c025e

SUPPLY FAN MOUNTS

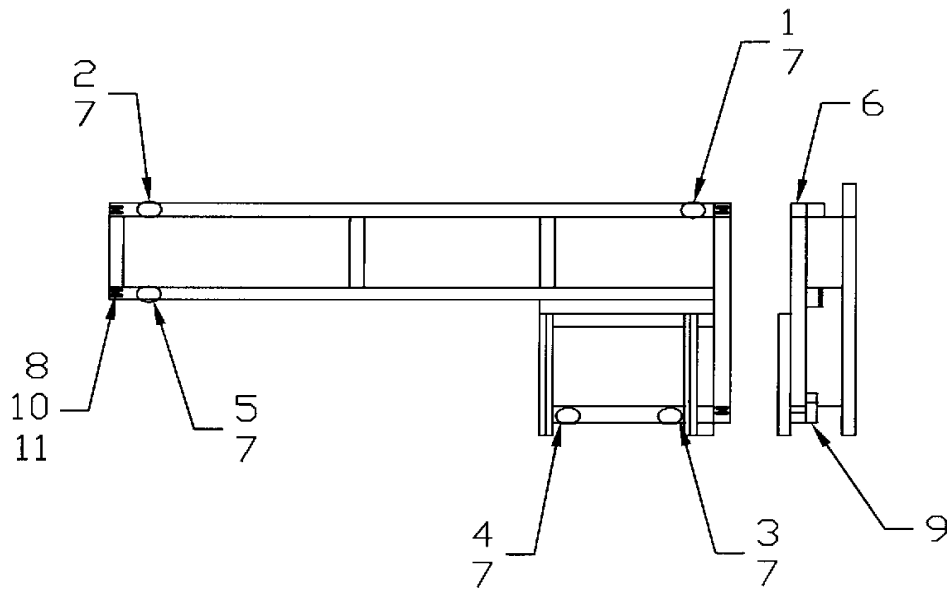
Parts List Number: SAHF2000#SAHFUP4

Model Number: SFHFC604HV44A57D1C01A0000G0K0000T000600#

Mounting Selection

75003516

REV
A



SUPPLY FAN MOUNTS

Parts List Number: SAHF2000#SAHFUP4

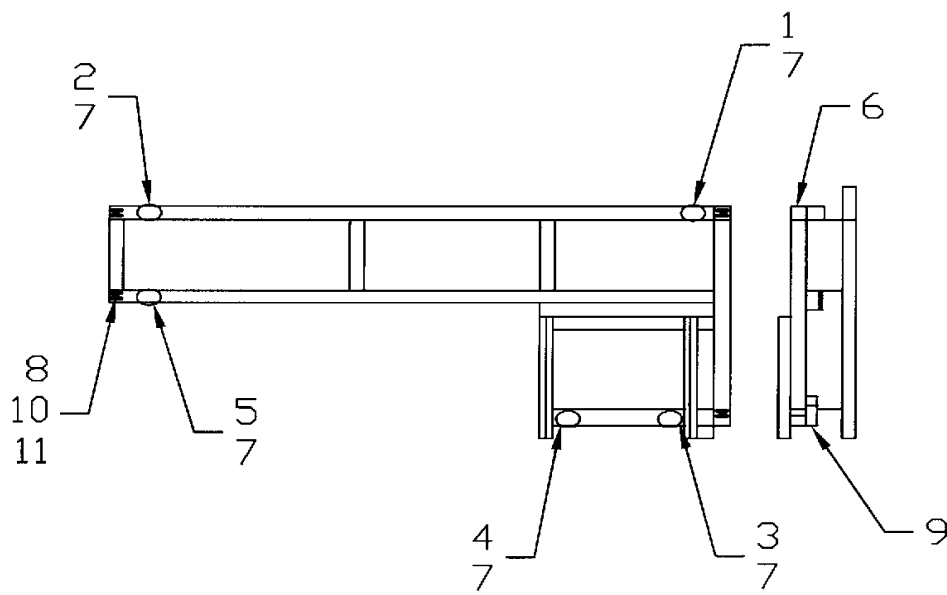
Model Number: SFHFC604HV44A57D1C01A0000G0K0000T000600#

Part No.	Reference	Quantity	Description
----------	-----------	----------	-------------

Mounting Selection

75003516

REV
A

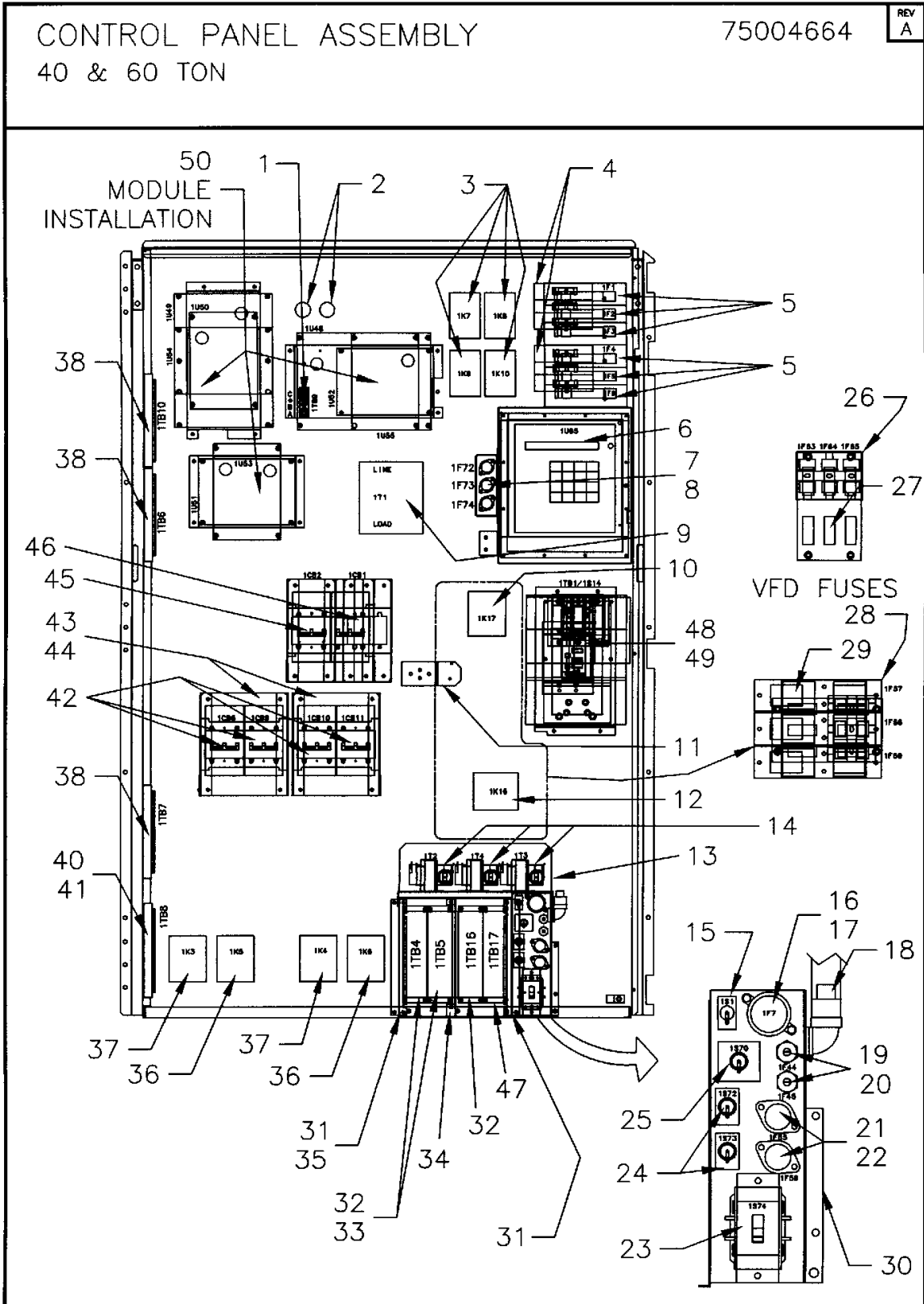


EXHAUST FAN MOUNTS

Parts List Number: SAHF2000#SAHFUP4

Model Number: SFHFC604HV44A57D1C01A0000G0K0000T000600#

Part No.	Reference	Quantity	Description
GKT01768	9	0	GASKET; .125 X 1.25 X 50 FT ROLL
MNT00185	3	1	MOUNT;ISOLATOR, BLACK
MNT00185	4	1	MOUNT;ISOLATOR, BLACK
MNT00186	2	1	MOUNT;ISOLATOR, RED
MNT00186	5	1	MOUNT;ISOLATOR, RED
MNT00191	1	1	MOUNT; ISOLATOR, 2 BLT MTG W/ .38 TAP, 380 LB MAX LOAD, .50 DEFLECTION, NEOPRENE, GREEN
SCR01279	7	10	SCREW; .31-18 X .75 TC
SCR01638	10	4	SCREW; .50-13 X 5.50, HEX CAP
SPC00284	6	4	SPACER;
WAS00001	11	4	WASHER; LOCK, .50 NOM HELICAL SPRING, CARBON STEEL
WAS00573	8	4	WASHER; .557 ID X 1.368 OD



CONTROL PANEL ASSEMBLY, 40 & 60 TON

Parts List Number: SAHF2000#SAHFUP4

Model Number: SFHFC604HV44A57D1C01A0000G0K0000T000600#

Part No.	Reference	Quantity	Description
BAR00107	33	2	BAR;JUMPER, TERMINAL BLOCK
BKR00835	42	4	BREAKER; CIRCUIT, 36.8A 480V 3P CKT
BKR01211	45	1	BREAKER; 9.0A 480V 3 POLE W/LUG TERMINALS
BKR01214	46	1	BREAKER; 26.9A 480V 3 POLE W/LUG TERMINALS
BLK00492	32	3	BLOCK, TERMINAL 22P
BLK00492	47	1	BLOCK, TERMINAL 22P
BLK00493	1	1	BLOCK; TERMINAL, 2P, 20A 250V.
BLK00495	4	2	BLOCK; FUSE 30A, 600V 3 POLE
BOX01038	18	1	BOX;OUTLET 4.50 X 2.75 X 2
BRK01781	48	1	BRACKET;MOUNTING (DISCONNECT SWITCH)
BRK02322	44	2	BRACKET; DOUBLE CIRCUIT BREAKER
BRK02509	30	1	BRACKET; FUSE & SWITCH RIGHT
BRK02510	13	3	BRACKET; TRANSFORMER
BRK02511	35	1	BRACKET; CUST CONN-CONTROL BOX
BUS00367	2	0	BUSHING; SNAP, 1.09 ID
CLP00190	*	0	CLIP; FLEXIBLE TRIM 10 FT LONG
CNT01659	39	0	JUMPER; BLOCK, RJS TYPE
COV02372	18	1	COVER; OUTDOOR LIGHTING, HINGED LID, GASKET INCLUDED, 4.56 X 2.81
COV02547	43	2	COVER; DOUBLE CIRCUIT BREAKER
CTR00097	10	1	CONTACTS;ONLY FOR CTR-124
CTR00097	12	1	CONTACTS;ONLY FOR CTR-124
CTR00428	3	4	CONTACTOR; 25A/600V, 110-120V COIL
CTR00841	37	2	CONTACTOR; 3P NORMALLY OPEN, 40A, 110-120V.
CTR01043	36	2	CONTACTOR; 3P, NO, 40A, 50/60 HZ, W/ AUX SWITCH
FUS00021	20	2	FUSE; NON-TIME DELAY, 250VAC, MTH-6, 6 AMP, 250V
FUS00038	8	3	FUSEHOLDER; PANEL MTD, 600VAC, 30AMP
FUS00038	21	2	FUSEHOLDER; PANEL MTD, 600VAC, 30AMP
FUS00133	17	1	FUSE; 20 AMP 125V
FUS00163	5	6	FUSE; TIME DELAY, DUAL ELEMENT, 600V, FRS-R15
FUS00262	22	2	FUSE; TIME DELAY, 600V, FLQ-5
FUS00879	7	3	FUSE; MIDGET TYPE, 15A, 500V
HLD00016	16	1	HOLDER; FUSE
HLD00038	19	2	HOLDER; FUSE
MOD00878	6	1	MODULE; LOCAL HUMAN INTERFACE LHI
PLT03288	6	1	PLATE; HUMAN INTERFACE MODULE BACKPLATE
PNN06859	34	1	PANEL, CUSTOMER CONN BARRIER
RCT00074	18	1	RECEPTACLE; 15A, 125V, DOES NOT INCLUDE WALL PLATE, PLT01570
SCR01072	40	0	SCREW;8-32 X 1.00
SUP02664	11	1	SUPPORT, RESTRAINING BRACKET
SUP02665	31	2	SUPPORT, CUST CONN.
SWT00286	15	1	SWITCH; TOGGLE, SPST, 15/10A - 125/250VAC
SWT01591	48	1	SWITCH;DISCONNECT, 250A/600V, 3P

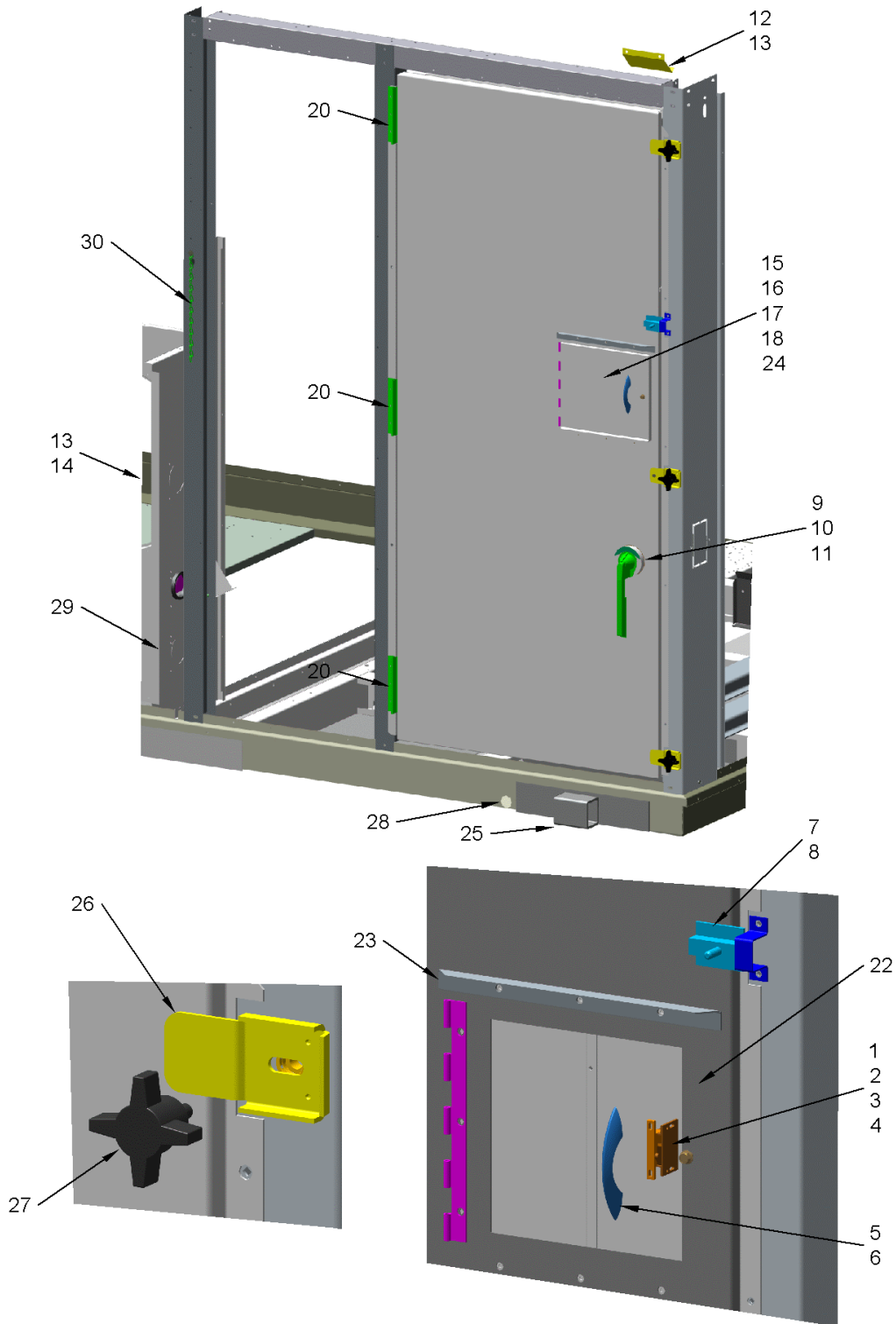
SWT01592	48	1	SWITCH;DISCONNECT, 3P, 400A/600V. (BELOW 310 MCA)
SWT01593	48	1	SWITCH;DISCONNECT, 3P, 400A/600V (ABOVE 310 MCA)
SWT01606	48	1	SWITCH;DISCONNECT, 100A, 600V, 3P.
SWT01680	23	1	SWITCH; TOGGLE, DPST, 30A, 600V
SWT01872	25	1	SWITCH; TOGGLE 3PST 15A, 10A, 250VAC, .25QC TERM
TER00154	3	1	TERMINAL; BLOCK, 12 POLE 30 AMP, 600V DBL .25 QC BOTH SIDES
TER00154	38	3	TERMINAL; BLOCK, 12 POLE 30 AMP, 600V DBL .25 QC BOTH SIDES
TER00154	41	1	TERMINAL; BLOCK, 12 POLE 30 AMP, 600V DBL .25 QC BOTH SIDES
TRR00286	9	1	TRANSFORMER; 1000VA, 230-460V PRI.,115V SEC.
TRR00826	14	3	TRANSFORMER; 75 VA, 460-575V PRI, 24V SEC
TRR01034	18	1	TRANSFORMER; 460/575V PRI, 120V SEC

CONTROL PANEL ACCESS DOOR

20-75 TON

75003526

REV
B



This is a typical illustration. The unit in the field may not appear exactly as shown.

CONTROL PANEL DOOR ASSEMBLY

Parts List Number: SAHF2000#SAHFUP4

Model Number: SFHFC604HV44A57D1C01A0000G0K0000T000600#

Part No.	Reference	Quantity	Description
CAP00261	25	2	CAP;PLUG, 1.09
CAT00017	1	1	CATCH; DOOR, INCLUDES KEEPER
CHN00008	30	1	CHAIN; TWIN LOOP-#4 SIZE
DOR01214	15	1	DOOR;ASSEMBLY (HIM)
DOR01624	19	1	DOOR; CONTROL BOX DOOR WELDED ASSEMBLY
FRM00640	22	1	FRAME; DOOR (HIM)
GKT03397	24	0	GASKET; .375T X .50W X 25 FEET LONG
HDL00067	6	1	HANDLE; HUMAN INTERFACE MODULE DOOR HANDLE
HNG00098	20	3	HINGE; CUSTOM
KNB00085	27	3	KNOB, CLAMPING
LAT00032	26	3	LATCH;ACCESS DOOR
LAT00065	7	1	LATCH; DOOR - BOLT 1.63 WIDE X 2.00 LONG, TOP LOCK BOLT W/SPRING
NUT00004	17	3	NUT; 10-32, HEX LOCK
NUT00401	4	2	NUT;.25 NOMINAL, #4-40
PLU00493	28	1	PLUG;CAP, 4.12
RTR00117	21	1	RETAINER, ACCESS DOOR
SCR00889	8	2	SCREW, 10-32 X .50
SCR01066	13	0	SCREW; 1/4-14 X 5/8 LG AB
SCR01401	2	4	SCREW; 4-40 X .50 THD ROLL
SCR01506	5	2	SCREW; #10-24 X 0.375, HEX WASHER HEAD, ZINC PLATE
SCR01507	3	2	SCREW; #4-40 X 0.750, SLOTTED ROUND HEAD, ZINC PLATE
SCR01508	16	3	SCREW; #10-32 X .500
SEL00439	13	0	MIN=24/24 SEAL; ALUMINUM GREY POLYURETHANE, 10.3 OZ
SHD00199	12	1	SHIELD;RAIN
SHD00263	23	1	SHIELD; RAIN ANGLE FOR H.I.M.
WAS00611	18	3	WASHER;LOCK, .19 ID X .39 OD

Selected Assembly: 3bde8aa1-6a53-403c-95b3-41d12605ad4f

MODULE INSTALLATION, 40 & 60 TON

Parts List Number: SAHF2000#SAHFUP4

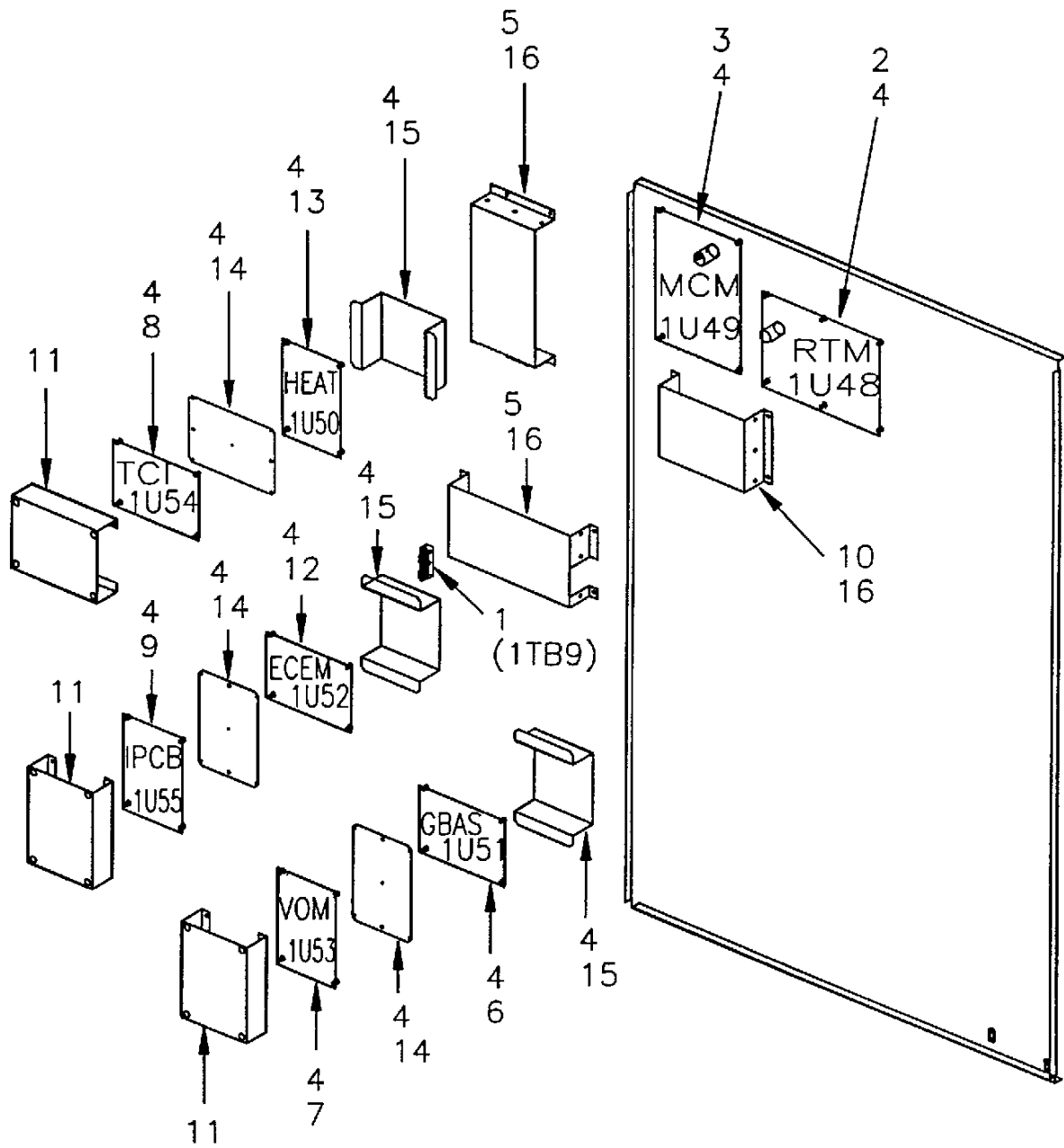
Model Number: SFHFC604HV44A57D1C01A0000G0K0000T000600#

MODULE INSTALLATION

40 & 60 TON

75000127

REV
A



MODULE INSTALLATION, 40 & 60 TON

Parts List Number: SAHF2000#SAHFUP4

Model Number: SFHFC604HV44A57D1C01A0000G0K0000T000600#

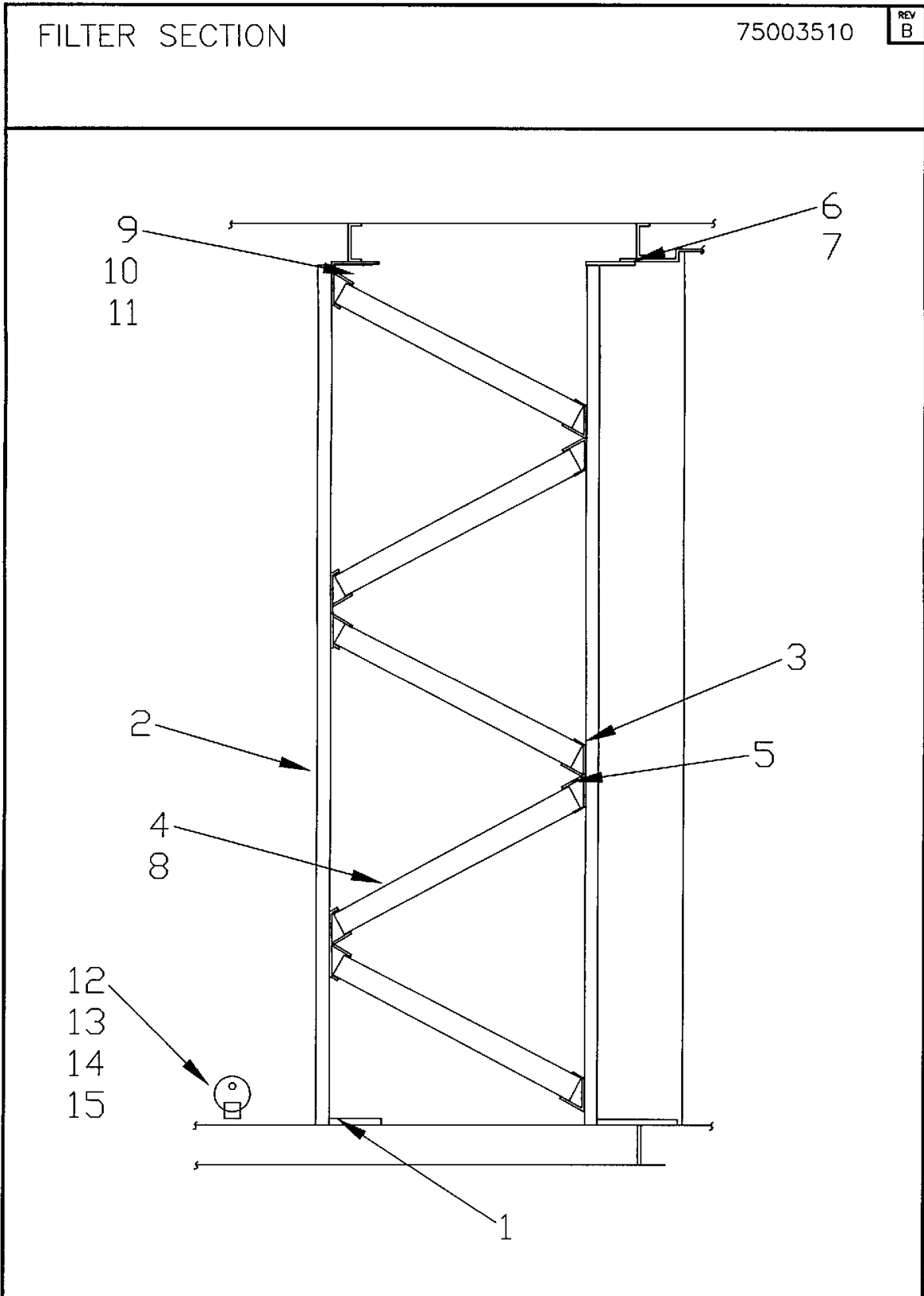
Part No.	Reference	Quantity	Description
BLK00493	1	1	BLOCK; TERMINAL, 2P, 20A 250V.
BRK01894	5	2	BRACKET; UCM MOUNTING
BRK01897	15	1	BRACKET, UCM MTG
CON00456	*	2	CONNECTOR; RCPT - 2 PIN
CON00457	*	2	CONNECTOR; RCPT - 3 PIN
CON00458	*	2	CONNECTOR; RCPT - 6 PIN
CON00459	*	2	CONNECTOR; RCPT - 11 PIN
CON00460	*	2	CONNECTOR; RCPT - 14 PIN
CON00461	*	2	CONNECTOR; 18 PIN
CON00462	*	1	CONNECTOR; 19 PIN
CON00463	*	1	CONNECTOR; 15 PIN
CON00464	*	1	CONNECTOR; 17 PIN
COV02214	11	1	COVER, MODULE
KIT02866	*	0	KIT; MODULE WIRE ASSEMBLY, INCLUDES TEN 6 INCH LONG WIRES TERMINATED WITH CONTACT TERMINAL
MOD00343	6	1	MODULE, GENERIC BAS CONTROLLER
MOD00346	3	1	MODULE; MULTIPLE CIRCUIT CPRSR
MOD00484	12	1	MODULE; HEAT/ECEM EXHAUST CONTROL
MOD00484	13	1	MODULE; HEAT/ECEM EXHAUST CONTROL
MOD00485	2	1	MODULE, PCB ASSY RTM INTELIPAK
PLT02142	14	1	PLATE; PC BOARD MOUNTING
SCR00906	16	0	SCREW; 8-32 X .50
SCR00909	4	0	SCREW, 6-32 X .75

Selected Assembly: 552b1a7f-5dd1-4772-9ce2-b61825a5ec1a

FILTER SECTION

Parts List Number: SAHF2000#SAHFUP4

Model Number: SFHFC604HV44A57D1C01A0000G0K0000T000600#



FILTER SECTION

Parts List Number: SAHF2000#SAHFUP4

Model Number: SFHFC604HV44A57D1C01A0000G0K0000T000600#

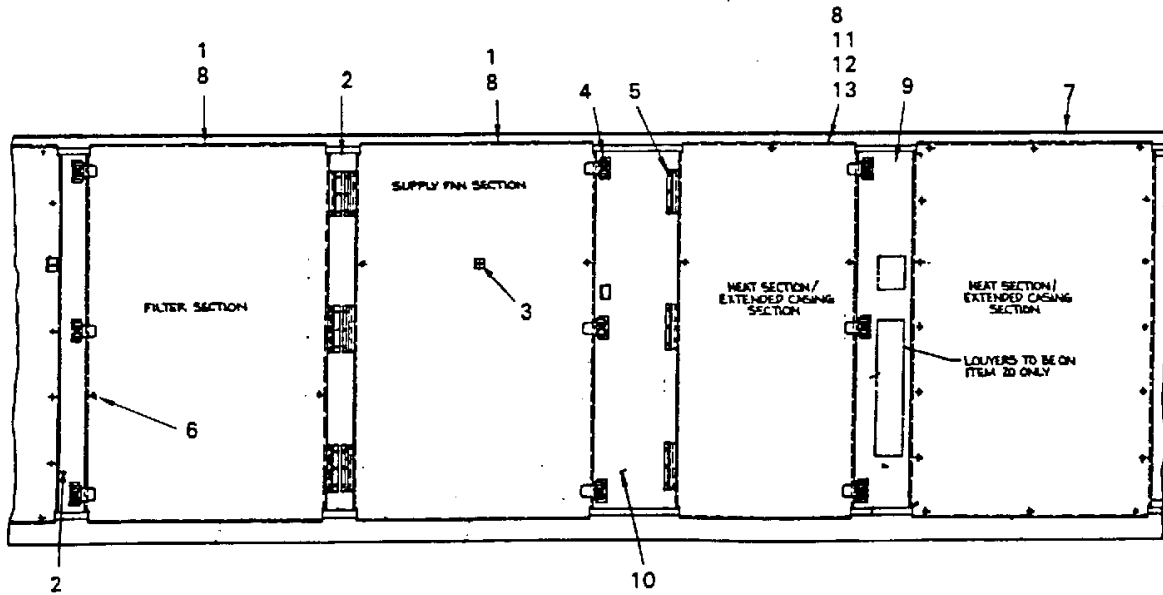
Part No.	Reference	Quantity	Description
BOF00763	1	2	BLOCKOFF;FILTER RACK
BOF00870	4	5	BLOCKOFF;END
BRK02404	14	1	BRACKET; FILTER SWITCH TUBE
CLP00190	10	0	CLIP; FLEXIBLE TRIM 10 FT LONG
CNL00415	3	10	CHANNEL;FILTER
FLR00040	8	35	FILTER; 16 X 20 X 2, DUST TOP
FTG00028	15	1	FITTING; CLIP, .25 DIA. STUD, SPEED
INS02222	11	0	INSULATION; .125 X 4.0 X ROLL
SCR01066	6	0	SCREW; 1/4-14 X 5/8 LG AB
SEL00383	5	0	SEAL;FOAM TAPE, NEOPRENE CLOSED CELL, 1/4 X 3/4 X 50 FEET
SUP02558	2	6	SUPPORT;FILTER RACK
SUP02563	7	1	SUPPORT;UPPER FILTER RACK
SUP02564	9	1	SUPPORT;UPPER FILTER RACK
SWT01663	12	1	SWITCH; PRESSURE, SPDT, 300 VA AT 120-277V, W/ MTG BRACKET
TUB01678	13	1	TUBE;1/4IN. PLASTIC TUBING, 1 PIECE EQUALS 10 FEET

Selected Assembly: 22bd99a5-425e-46b5-8d57-6eefafd2275d
HEAT SECTION - OPTIONAL ACCESS DOORS
Parts List Number: SAHF2000#SAHFUP4
Model Number: SFHFC604HV44A57D1C01A0000G0K0000T000600#

Panel Assembly

SAHC0591

(60, 70 & 75 Ton Optional Access Doors)



HEAT SECTION - OPTIONAL ACCESS DOORS

Parts List Number: SAHF2000#SAHFUP4

Model Number: SFHFC604HV44A57D1C01A0000G0K0000T000600#

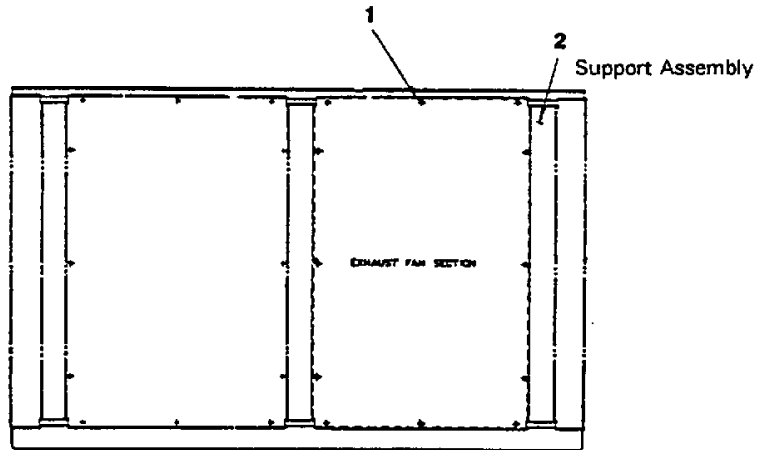
Part No.	Reference	Quantity	Description
DOR00923	1	2	DOOR;ACCESS ASSEMBLY
DOR00924	13	1	DOOR;ACCESS ASSEMBLY
LAT00032	4	0	LATCH;ACCESS DOOR
PNN04555	7	1	PANEL;ASSEMBLY
RTR00117	3	0	RETAINER, ACCESS DOOR
SCR01066	6	0	SCREW; 1/4-14 X 5/8 LG AB
SCR01369	5	0	SCREW; .25-14 X .75 SLF DRL
SUP02348	2	1	SUPPORT;ASSEMBLY
SUP02353	9	1	SUPPORT;ASSEMBLY
SUP02354	10	1	SUPPORT;ASSEMBLY

Selected Assembly: e4ce2ed8-c214-46e2-85d9-47c42842774a
PANEL ASSEMBLY - EXHAUST FAN SECTION
Parts List Number: SAHF2000#SAHFUP4
Model Number: SFHFC604HV44A57D1C01A0000G0K0000T000600#

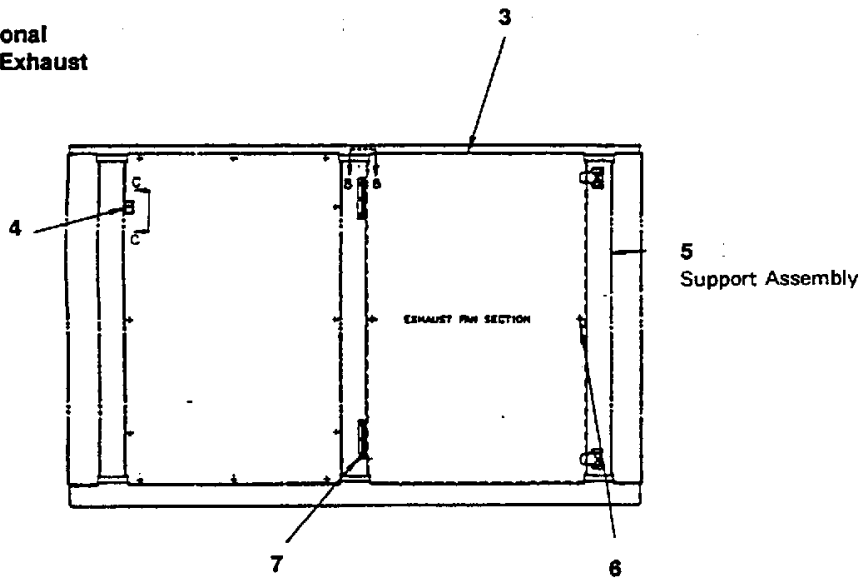
Panel Assembly

SAHC0613

(For Units W/Standard Panels)
(For Units W/Optional Access Doors W/O Exhaust)



(For Units W/Optional
Access Door W/Exhaust)



PANEL ASSEMBLY - EXHAUST FAN SECTION

Parts List Number: SAHF2000#SAHFUP4

Model Number: SFHFC604HV44A57D1C01A0000G0K0000T000600#

Part No.	Reference	Quantity	Description
DOR00923	3	1	DOOR;ACCESS ASSEMBLY
PNN02382	1	1	PANEL;ASSEMBLY (END)
RTR00117	4	0	RETAINER, ACCESS DOOR
SCR01066	6	0	SCREW; 1/4-14 X 5/8 LG AB
SCR01369	7	0	SCREW; .25-14 X .75 SLF DRL

Selected Assembly: d425de63-7565-4639-9d66-3311b2e10e06

SUPPORT ASSEMBLY

Parts List Number: SAHF2000#SAHFUP4

Model Number: SFHFC604HV44A57D1C01A0000G0K0000T000600#

SUPPORT ASSEMBLY

Parts List Number: SAHF2000#SAHFUP4

Model Number: SFHFC604HV44A57D1C01A0000G0K0000T000600#

Part No.	Reference	Quantity	Description
SUP02336	1	1	SUPPORT;CORNER POST ASSEMBLY

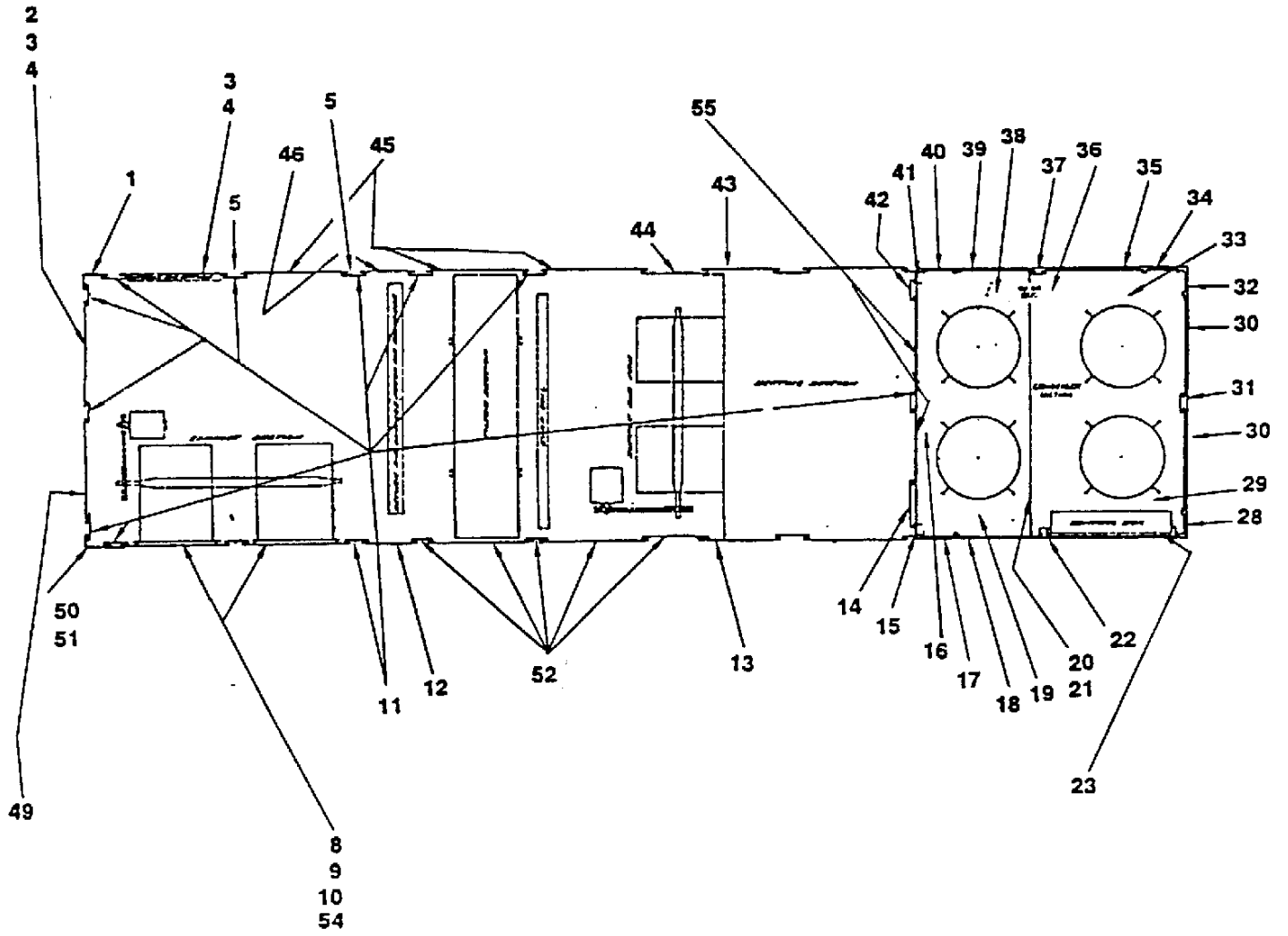
Selected Assembly: 5e985529-1b17-42e9-abef-65a001e0ef36

PANEL ASSEMBLY; 40 TON

Parts List Number: SAHF2000#SAHFUP4

Model Number: SFHFC604HV44A57D1C01A0000G0K0000T000600#

40 TON UNITS



PANEL ASSEMBLY; 40 TON

Parts List Number: SAHF2000#SAHFUP4

Model Number: SFHFC604HV44A57D1C01A0000G0K0000T000600#

Part No.	Reference	Quantity	Description
----------	-----------	----------	-------------

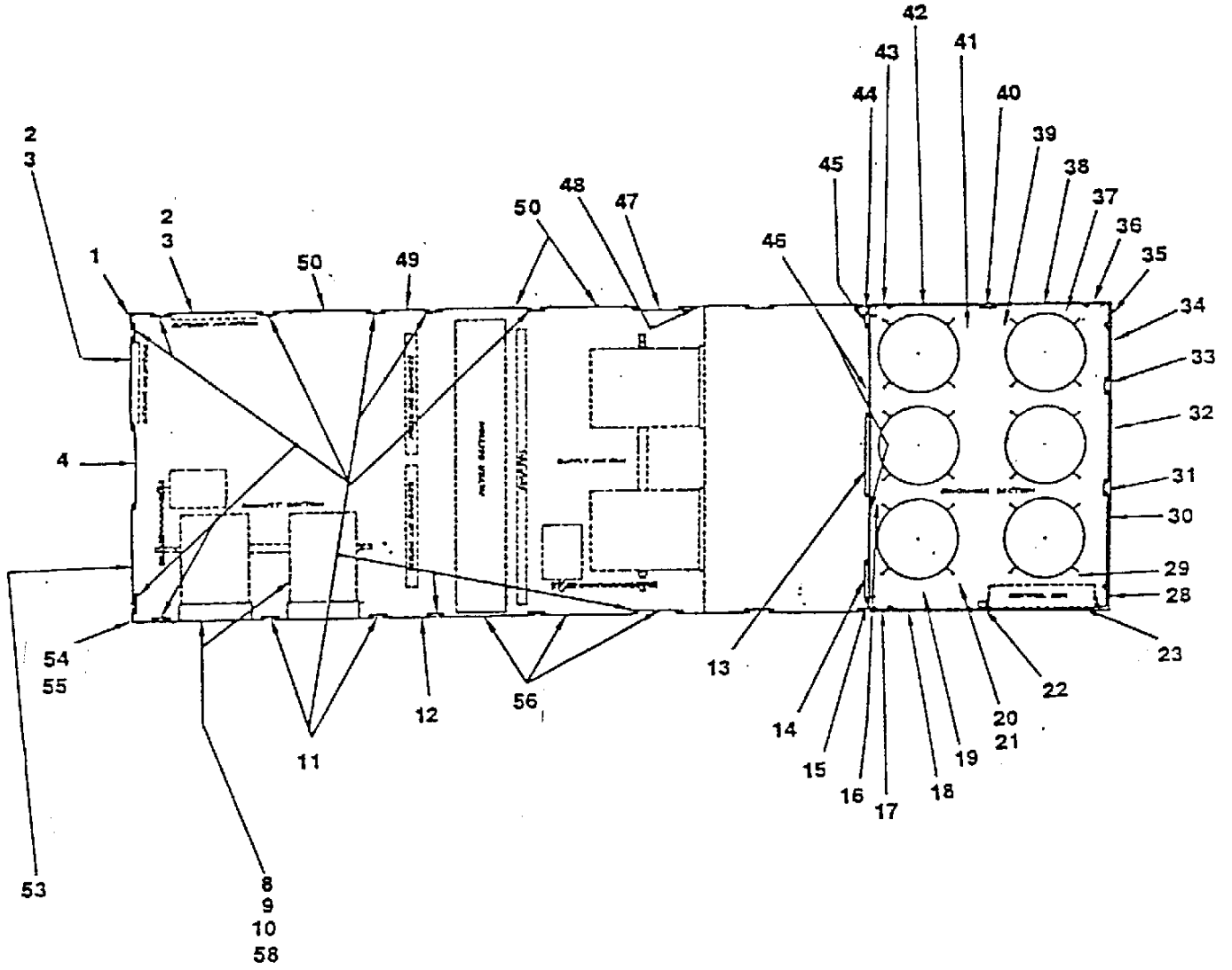
Selected Assembly: 20dd3497-cbe8-4fa3-a7b5-4a7da7666920

PANEL ASSEMBLY; 60,70 & 75 TON

Parts List Number: SAHF2000#SAHFUP4

Model Number: SFHFC604HV44A57D1C01A0000G0K0000T000600#

60, 70 & 75 TON



PANEL ASSEMBLY; 60,70 & 75 TON

Parts List Number: SAHF2000#SAHFUP4

Model Number: SFHFC604HV44A57D1C01A0000G0K0000T000600#

Part No.	Reference	Quantity	Description
BOF00696	39	1	BLOCKOFF;CONDENSER COIL
BOF00697	37	1	BLOCKOFF;RIGHT SIDE CONDENSER COIL
BOF00698	41	1	BLOCKOFF;COIL RIGHT SIDE
BOF00772	29	1	BLOCKOFF;
BOF00773	19	1	BLOCKOFF;
PAI00077	61	0	PAINT; SLATE GREY (SHIPPING UOM 1 GAL HAZ)
PAI00086	62	0	PAINT; SPRAY, SLATE GREY, MID GLOSS(60) (SHIPPING UOM 12 OZ HAZ)
PNL09021	18	1	PANEL; LOUVERED, 5 LOUVERED ROWS
PNL09021	30	1	PANEL; LOUVERED, 5 LOUVERED ROWS
PNL09021	32	1	PANEL; LOUVERED, 5 LOUVERED ROWS
PNL09022	34	1	PANEL;LOUVERED, 3 LOUVERED ROWS
PNN02382	50	3	PANEL;ASSEMBLY (END)
PNN03958	21	1	PANEL; CENTER, BLOCKOFF
PNN04396	12	1	PANEL;ASSEMBLY
PNN04396	49	1	PANEL;ASSEMBLY
PNN04397	42	1	PANEL;ASSEMBLY
PNN04398	38	1	PANEL;ASSEMBLY
PNN04399	17	1	PANEL;ASSEMBLY
PNN04400	43	1	PANEL;ASSEMBLY
PNN04401	36	1	PANEL;ASSEMBLY
SCR01066	59	0	SCREW; 1/4-14 X 5/8 LG AB
SCR01369	60	0	SCREW; .25-14 X .75 SLF DRL
SUP02191	31	1	SUPPORT;CENTER POST
SUP02191	33	1	SUPPORT;CENTER POST
SUP02191	40	1	SUPPORT;CENTER POST
SUP02192	22	1	SUPPORT;CENTER POST
SUP02194	16	1	SUPPORT;COIL TOP
SUP02196	20	2	SUPPORT;COIL BOTTOM
SUP02311	11	1	SUPPORT;VERTICAL
SUP02336	54	1	SUPPORT;CORNER POST ASSEMBLY
SUP02339	47	1	SUPPORT;VERTICAL
SUP02341	45	1	SUPPORT;VERTICAL
SUP02344	44	1	SUPPORT;CORNER POST
SUP02346	28	1	SUPPORT;CORNER POST
SUP02347	35	1	SUPPORT;CORNER POST
SUP02356	15	1	SUPPORT;CORNER POST
SUP02376	1	1	SUPPORT;CORNER POST
SUP02377	4	1	SUPPORT;VERTICAL

Selected Assembly: 74deecd7-8f89-49d4-b461-98d78901f7a4

ACCESSORIES

Parts List Number: SAHF2000#SAHFUP4

Model Number: SFHFC604HV44A57D1C01A0000G0K0000T000600#

ACCESSORIES

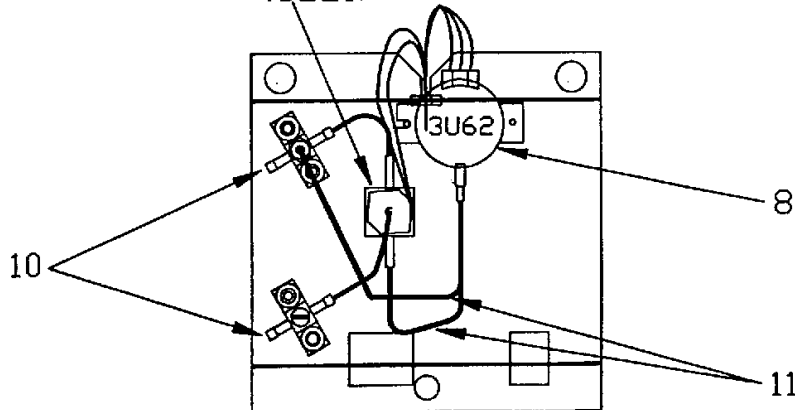
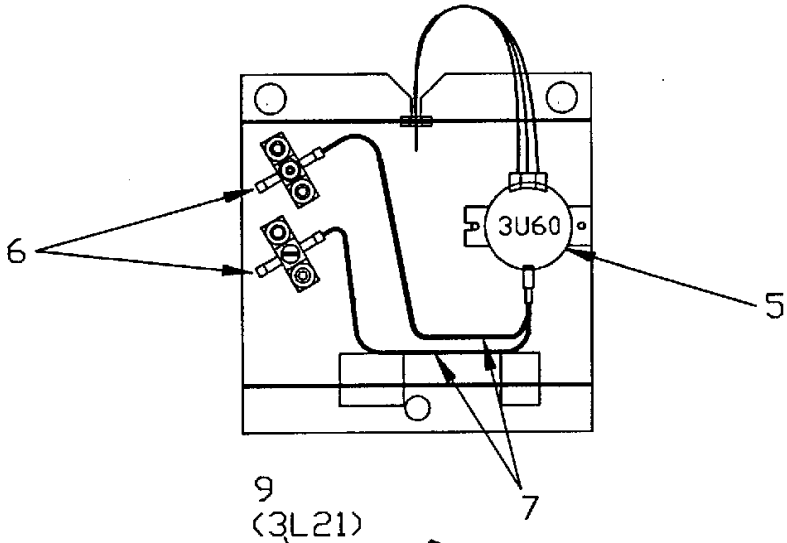
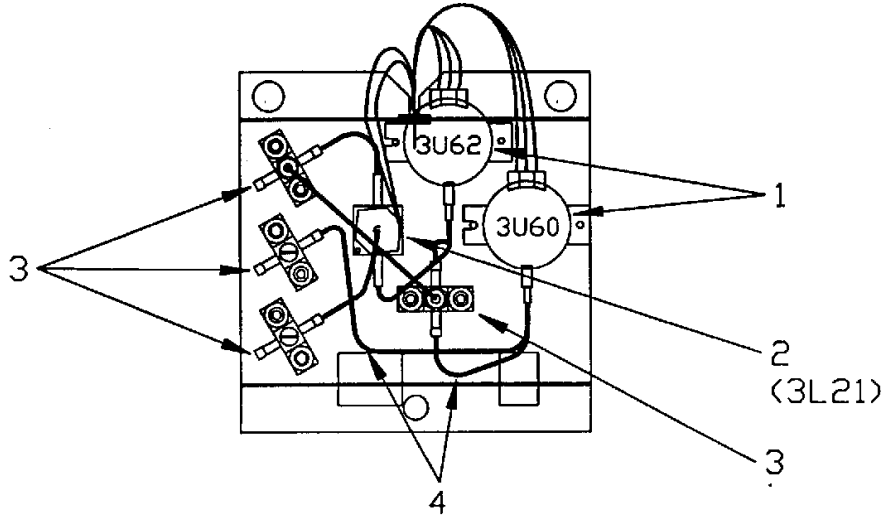
Parts List Number: SAHF2000#SAHFUP4

Model Number: SFHFC604HV44A57D1C01A0000G0K0000T000600#

Part No.	Reference	Quantity	Description
PLT02202	*	1	PLATE, SENSOR MOUNTING, BAYMTPL002AA
PLT02203	*	1	PLATE; SENSOR MOUNTING
PLT02562	*	1	PLATE, SENSOR MOUNTING (BAYMTPL004AA)
SEN00278	*	1	SENSOR; THERMISTOR PROBE, -40 DEG C TO 65 DEG, STRIPPED LEADS (BAYSENS016AA)
SEN00495	*	1	SENSOR; ZONE LEVEL 4 (BAYSENS013CA) ROOM SENSOR W/ OVERRIDE AND CANCEL BUTTONS
THT00839	*	1	THERMOSTAT; REMOTE POTENTIOMETER, 60-90 DEG F (BAYSTAT023AA)

SUPPLY AIR/EXHAUST PRESSURE SENSOR 75000130

REV
A



SUPPLY AIR/EXHAUST PRESSURE SENSOR

Parts List Number: SAHF2000#SAHFUP4

Model Number: SFHFC604HV44A57D1C01A0000G0K0000T000600#

Part No.	Reference	Quantity	Description
BRK01909	*	1	BRACKET; DUCT & SPACE SENSOR
BRK01910	*	1	BRACKET; STATIC AIR, PRESSURE SENSOR
KIT02800	3	1	KIT, AIR TUBE FITTING
KIT02800	6	1	KIT, AIR TUBE FITTING
KIT02800	10	1	KIT, AIR TUBE FITTING
SHD00283	*	1	SHIELD;
TDR00186	1	2	TRANSDUCER; PRESSURE, 0-5IN. WC
TDR00186	5	1	TRANSDUCER; PRESSURE, 0-5IN. WC
TDR00186	8	1	TRANSDUCER; PRESSURE, 0-5IN. WC
TUB08233	4	1	TUBE; ROUND; 0.16 ID X 0.062W X 12 IN
TUB08233	7	1	TUBE; ROUND; 0.16 ID X 0.062W X 12 IN
TUB08233	11	1	TUBE; ROUND; 0.16 ID X 0.062W X 12 IN
VAL04359	2	1	VALVE; SOLENOID, 24 VDC
VAL04359	9	1	VALVE; SOLENOID, 24 VDC

Selected Assembly: 7c0f4e56-a0fb-462c-bcd7-6abca60f3053

RACEWAY AND COMMUNICATION CABLE ASSEMBLY

Parts List Number: SAHF2000#SAHFUP4

Model Number: SFHFC604HV44A57D1C01A0000G0K0000T000600#

RACEWAY AND COMMUNICATION CABLE ASSEMBLY

Parts List Number: SAHF2000#SAHFUP4

Model Number: SFHFC604HV44A57D1C01A0000G0K0000T000600#

Part No.	Reference	Quantity	Description
CAB00261	35	1	CABLE, ASSEMBLY RACEWAY
CAB00263	35	1	CABLE; ASSEMBLY RACEWAY, 385" LENGTH
CAB00279	35	1	CABLE; ASSEMBLY RACEWAY

Selected Assembly: 72d9eb4d-1a30-49f1-a210-1c1a5638c4bd

SHIP WITH ITEMS

Parts List Number: SAHF2000#SAHFUP4

Model Number: SFHFC604HV44A57D1C01A0000G0K0000T000600#

SHIP WITH ITEMS

Parts List Number: SAHF2000#SAHFUP4

Model Number: SFHFC604HV44A57D1C01A0000G0K0000T000600#

Part No.	Reference	Quantity	Description
BUS00178	12	1	BUSHING; SNAP, .88 MTG. W/.69 HOLE
BUS00367	11	1	BUSHING; SNAP, 1.09 ID
GAG00092	10	1	GAUGE; PHOTOHELIC PRESSURE
KIT01190	10	1	KIT; OUTDOOR AIR STATIC PRESSURE SENSOR. PICK UP BODY ONLY IS BOD00809

Selected Assembly: 0d05cb89-efcb-42c7-8090-578d1fea62f8

FLUE VENT ASSEMBLY

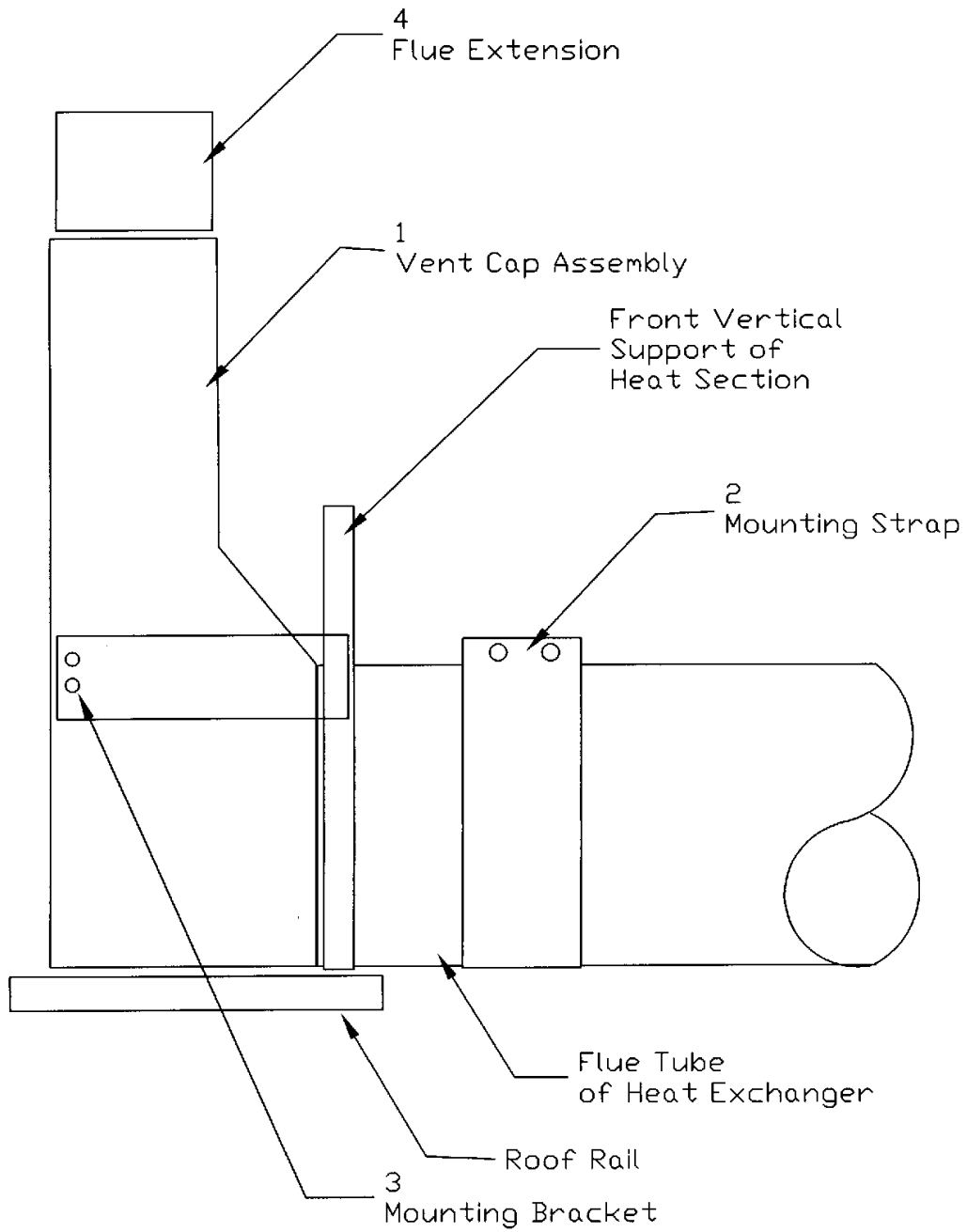
Parts List Number: SAHF2000#SAHFUP4

Model Number: SFHFC604HV44A57D1C01A0000G0K0000T000600#

FLUE VENT ASSEMBLY

75003923

REV
A



FLUE VENT ASSEMBLY

Parts List Number: SAHF2000#SAHFUP4

Model Number: SFHFC604HV44A57D1C01A0000G0K0000T000600#

Part No.	Reference	Quantity	Description
BRK01971	3	4	BRACKET; 2.5 X 9.421 X .034 SST
CMP00377	2	1	CLAMP; STRAP,7IN.
DUC00266	1	1	DUCT; FLUE VENT
FLU00215	4	1	DUCT; FLUE VENT EXT WELD
NUT00009	2	2	NUT; .25-20, HEX LOCK
SCR01066	3	28	SCREW; 1/4-14 X 5/8 LG AB
SCR01126	2	2	SCREW; HEX MACH, .25-20 X 1

BELT & SHEAVE IDENTIFICATION INSTRUCTIONS

75012020

REV
A

Please follow these steps to identify the belts and sheaves.

*Access comfortsite.com to view belt and sheave information.

NOTE

If no results are found in Comfortsite, the information can only be found on the 2" x 3" tag attached to the blower housing on the unit. The part numbers on the tag will cross in Oracle.

The screenshot shows the Trane website's Tech Support section. The left sidebar contains a navigation menu with items: Parts & Supplies, Warranty Center, Training Center, Product Info, Tech Support (highlighted), and Admin Center. The main content area is titled 'Tech Support' and lists several links: Service/Application Bulletins, Clarksville Drive Info 1998 and Newer, Graphics Library, Trane Tools, HUB, Model Number Lookup by Serial Number, Parts ID (WebCATS), Submit Field Quality Alert, and Controls Licensing. Below the links is a 'back' button. The 'Clarksville Drive Info 1998 and Newer' page is shown below, featuring a search form with fields for 'Sales Order Number' and 'Serial Number' (containing 'C04F05314'). A 'Search' button and a 'Clear' button are also present. Below the search form is a table with columns for Sales Order, Serial Number, Sup/Exh, Mtr Sheave, Mtr Bushing, Fan Sheave, Fan Bushing, Belt, Belt Qty, and Date. The table contains two rows of data. At the bottom of the page, there is a 'Showing 1 to 2 of 2 entries' indicator, a 'back' button, and a footer with the text '©2017 Trane All rights reserved'.

Step 1

Step 2

Step 3

Clarksville Drive Info 1998 and Newer

Tech Support > Clarksville Drive Info 1998 and Newer

Type the Sales Order OR Serial Number to search the database. *Partials are accepted. Do not use dashes to separate numbers.

Sales Order Number	<input type="text" value="Enter a full or partial Sales Order Number"/>
Serial Number	<input type="text" value="C04F05314"/>

10 records per page

Search:

Sales Order	Serial Number	Sup/Exh	Mtr Sheave	Mtr Bushing	Fan Sheave	Fan Bushing	Belt	Belt Qty	Date
B6R641AA001	C04F05314	SUP	2BSV86	B 2 1/8	2BSV154	B 2 3/16	SVX1060	2	7/6/2004
B6R641AA001	C04F05314	EXH	2AK54H	TR/H 1 3/8 5/16	2AK154H	H 1 7/16	AX92	2	7/6/2004

Showing 1 to 2 of 2 entries

Previous 1 Next

[back](#)

BELT & SHEAVE IDENTIFICATION INSTRUCTIONS

Parts List Number: SAHF2000#SAHFUP4

Model Number: SFHFC604HV44A57D1C01A0000G0K0000T000600#

Part No.	Reference	Quantity	Description
BLL02042	*	1	BELT; SEE GRAPHIC IN PARTS LIST FOR INFORMATION ON HOW TO ID REPLACEMENT BELT
SHE06680	*	1	SHEAVE; SEE GRAPHIC IN PARTS LIST FOR INFORMATION ON HOW TO ID REPLACEMENT SHEAVE

ADDITIONAL PARTS

75013701

REV
A

This additional parts section consists of parts that were not included in the standard parts list release

Panel Assembly - Exhaust Fan Section

- VFD WITHOUT BYPASS - SUPPLY
- SUPPLY FAN VFD OVERLOADS
- SUPPLY AIR/EXHAUST PRESSURE SENSOR
- RACEWAY AND COMMUNICATION CABLE ASSEMBLY
- SHIP WITH ITEMS
- FLUE VENT ASSEMBLY
- ACCESSORIES
- TRAQ SENSOR
- BELT AND SHEAVE IDENTIFICATION INSTRUCTIONS
- *****IMPORTANT-READ GRAPHIC-ADDITIONAL PARTS*****
- ADDITIONAL PART

Part No.	Ref#	Qty	Description	Note
			UNION-FLAKE, BRASS	7510N
<input type="checkbox"/> ADP01337	* 4		ADAPTER; ROTOLOCK ADAPTER	COMPR INSTL 70T 460V STD CAP,HI-EFF 80T STD CAP EC
<input type="checkbox"/> ANG00510	* 4		ANGLE;FANSIDE	STD 100% EXHAUST FAN
<input type="checkbox"/> ANG00510	* 4		ANGLE;FANSIDE	VFD SUPPLY FAN - NOT SA - SPRING ISOL - 40 & 50 HP
<input type="checkbox"/> ANG00545	* 1		ANGLE;BRACE	GAS HEAT FINAL AY 60-89T HIHT 850 MBH 2-STG/FULL/ULTRA MOD FC FAN

Reference the notes field to determine which section of the unit the part is used in.

*****IMPORTANT-READ GRAPHIC-ADDITIONAL PARTS*****

Parts List Number: SAHF2000#SAHFUP4

Model Number: SFHFC604HV44A57D1C01A0000G0K0000T000600#

Part No.	Reference	Quantity	Description
----------	-----------	----------	-------------